

4

3

2

1

DO NOT SCALE DRAWING

THE INFORMATION CONTAINED HEREIN IS THE EXCLUSIVE PROPERTY OF VIRGINIA PANEL CORP. AND IS SUBMITTED FOR USE BY THE CUSTOMER ONLY. THE DATA SHALL NOT BE DUPLICATED, USED, OR DISCLOSED IN WHOLE OR IN PART FOR ANY PURPOSE OTHER THAN TO MAINTAIN THE EQUIPMENT PROVIDED. CONSULT WITH VIRGINIA PANEL CORPORATION ENGINEERING IF MORE DETAIL IS REQUIRED.

| REVISIONS |     |             |         |          |
|-----------|-----|-------------|---------|----------|
| ZONE      | REV | DESCRIPTION | DATE    | APPROVED |
|           | C   | ECN# 3317   | 5/18/11 | ECD      |

D

D

C

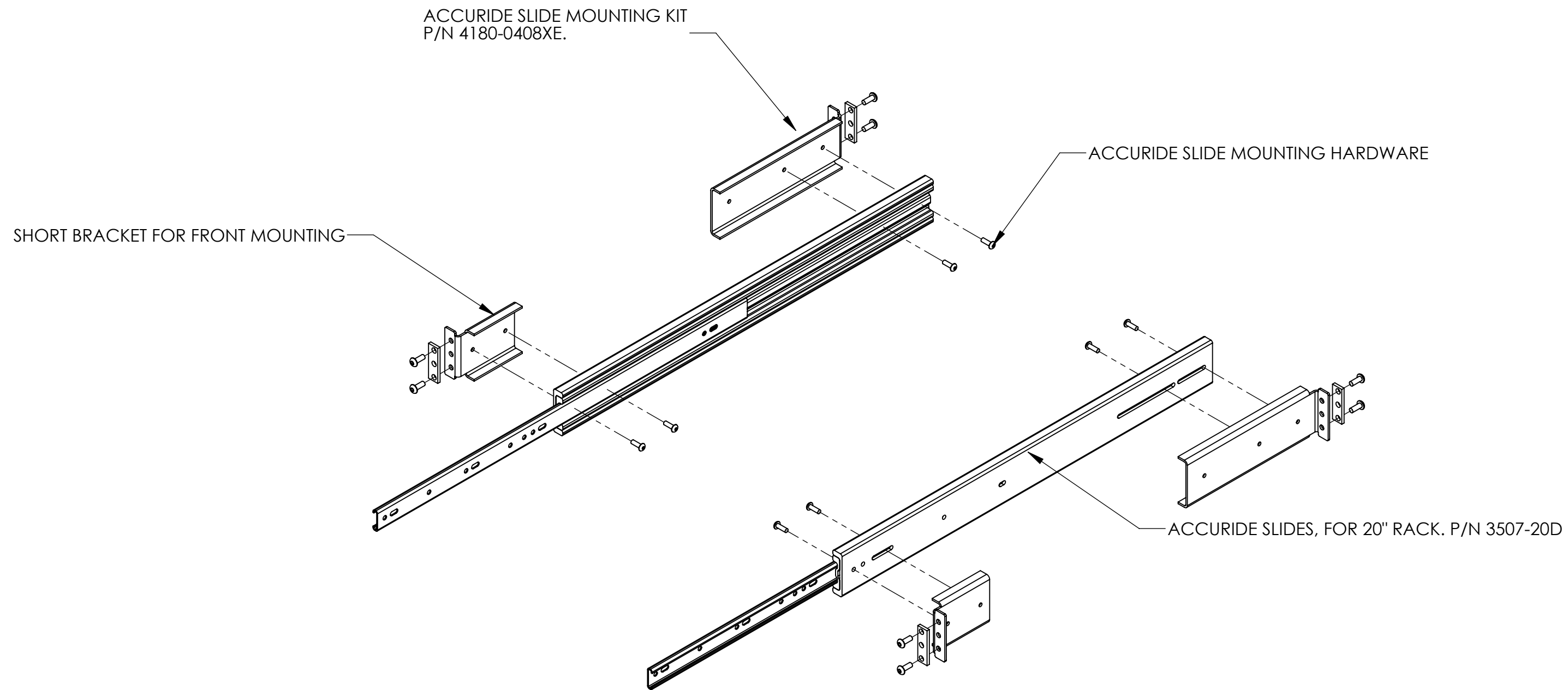
C

B

B

A

A



- 3 EACH KIT INCLUDES:  
 ACCURIDE P/N 4180-0480-XE, MOUNTING BRACKET KIT  
 ACCURIDE P/N 3507-20D
- 2 FOR RACKS 20" - 22" DEEP
- 1 FOR APPLICATION, USE & CARE INFORMATION  
 CONSULT VPC USERS GUIDE @WWW.VPC.COM

NOTES:

| CUSTOMER DRAWING - CUSTOMER DRAWING |                                 |      |            |            |             |   |           |           |              |
|-------------------------------------|---------------------------------|------|------------|------------|-------------|---|-----------|-----------|--------------|
| SOLIDWORKS DRAWING FILE             | DIMENSIONS ARE SHOWN AS:        |      | SIGNATURES |            | DATE        | <b>VIRGINIA PANEL CORPORATION</b><br><small>WWW.VPC.COM</small> |           |           |              |
|                                     | [millimeters]<br>INCHES         |      | DR         | E. HUBBARD | 5/12/04     |   |           |           |              |
|                                     | REMOVE BURRS. BREAK SHARP EDGES |      | CHK        | R. HERRON  | 5/12/04     | <b>20" SLIDE KIT</b>  |           |           |              |
|                                     | MATERIAL                        |      | ENG        | E. HUBBARD | 5/12/04     |   |           |           |              |
|                                     | FINISH                          |      | PROD       |            |             | SIZE  | FSCM NO.  | DWG.NO.   | REV          |
|                                     |                                 | ASSY |            |            | C           | 18117   | 310113409 | C         |              |
|                                     |                                 | QA   |            |            | SCALE: NONE |   | 5/12/04   | 310113409 | SHEET 1 OF 1 |
|                                     |                                 | APPD |            |            |             |   |           |           |              |

4

3

2

1