

4

3

2

1

DO NOT SCALE DRAWING

THE INFORMATION CONTAINED HEREIN IS THE EXCLUSIVE PROPERTY OF VIRGINIA PANEL CORP. AND IS SUBMITTED FOR USE BY THE CUSTOMER ONLY. THE DATA SHALL NOT BE DUPLICATED, USED, OR DISCLOSED IN WHOLE OR IN PART FOR ANY PURPOSE OTHER THAN TO MAINTAIN THE EQUIPMENT PROVIDED. CONSULT WITH VIRGINIA PANEL CORPORATION ENGINEERING IF MORE DETAIL IS REQUIRED.

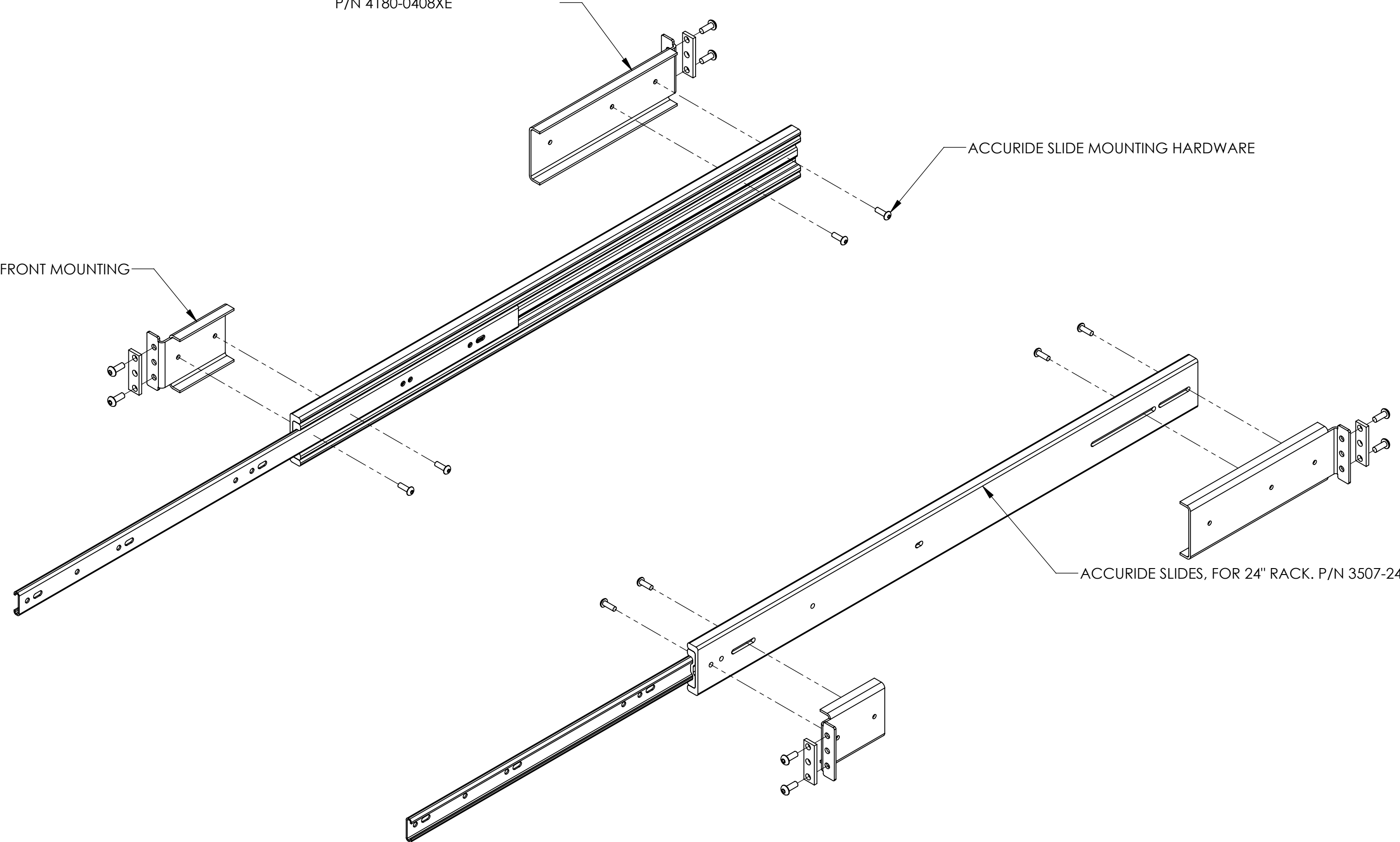
REVISIONS				
ZONE	REV	DESCRIPTION	DATE	APPROVED
	C	ECN# 3317	5/18/11	ECD

ACCURIDE SLIDE MOUNTING KIT
P/N 4180-0408XE

ACCURIDE SLIDE MOUNTING HARDWARE

SHORT BRACKET FOR FRONT MOUNTING

ACCURIDE SLIDES, FOR 24" RACK. P/N 3507-24D



- 3 EACH KIT INCLUDES:
 ACCURIDE P/N 4180-0480-XE, MOUNTING BRACKET KIT
 ACCURIDE P/N 3507-24D
- 2 FOR RACKS 24" - 26" DEEP
- 1 FOR APPLICATION, USE & CARE INFORMATION
 CONSULT VPC USERS GUIDE @WWW.VPC.COM

NOTES:

CUSTOMER DRAWING - CUSTOMER DRAWING

SOLIDWORKS DRAWING FILE	DIMENSIONS ARE SHOWN AS:		SIGNATURES		DATE	VIRGINIA PANEL CORPORATION WWW.VPC.COM		
	[millimeters] INCHES		DR	E. HUBBARD	5/12/04			
	REMOVE BURRS. BREAK SHARP EDGES		CHK			24" SLIDE KIT		
	MATERIAL		ENG					
	FINISH		PROD			SIZE	FSCM NO.	DWG.NO.
		ASSY			C	18117	310113410	C
		QA			SCALE: NONE	5/12/04	310113410	SHEET 1 OF 1
		APPD						

4

3

2

1