

4

3

2

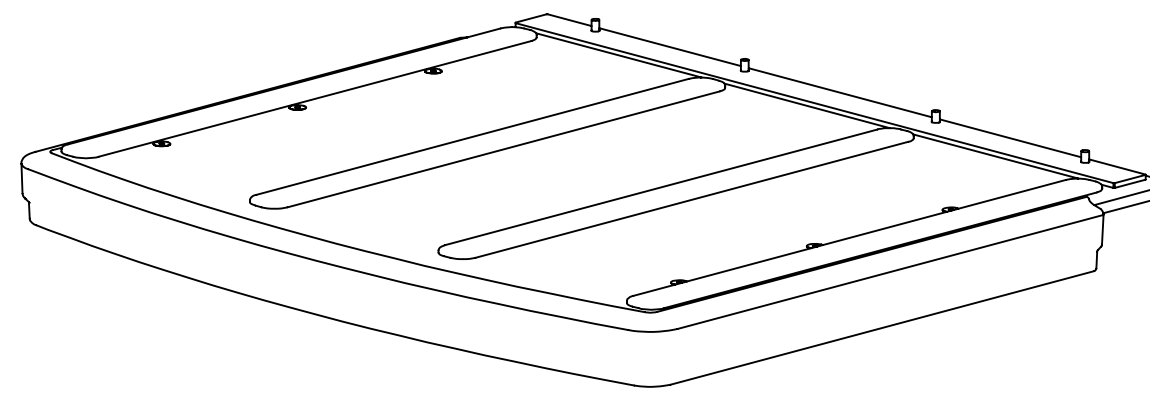
1

DO NOT SCALE DRAWING

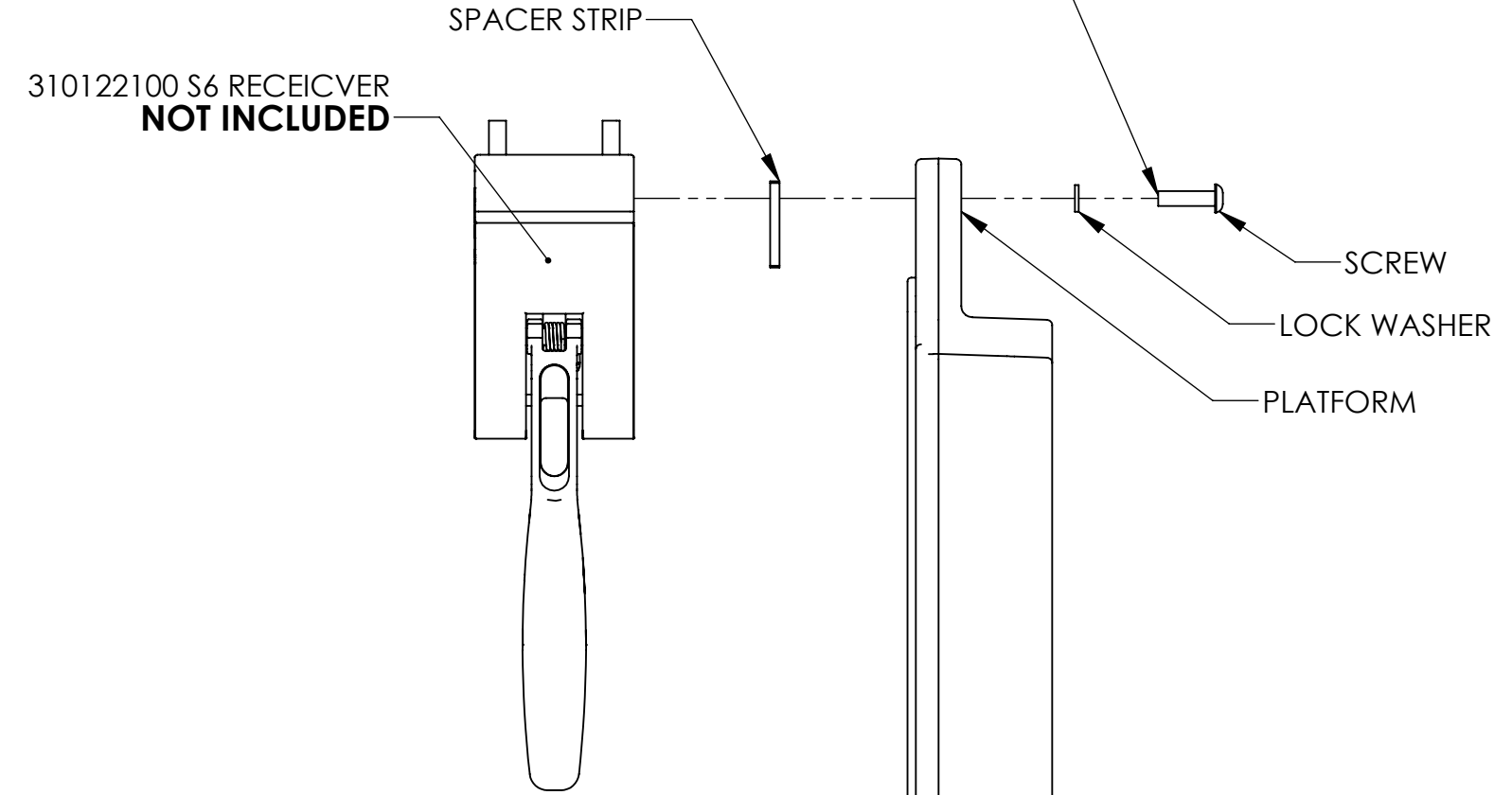
THE INFORMATION CONTAINED HEREIN IS THE EXCLUSIVE PROPERTY OF VIRGINIA PANEL CORP. AND IS SUBMITTED FOR USE BY THE CUSTOMER ONLY. THE DATA SHALL NOT BE DUPLICATED, USED, OR DISCLOSED IN WHOLE OR IN PART FOR ANY PURPOSE OTHER THAN TO MAINTAIN THE EQUIPMENT PROVIDED. CONSULT WITH VIRGINIA PANEL CORPORATION ENGINEERING IF MORE DETAIL IS REQUIRED.

REVISIONS

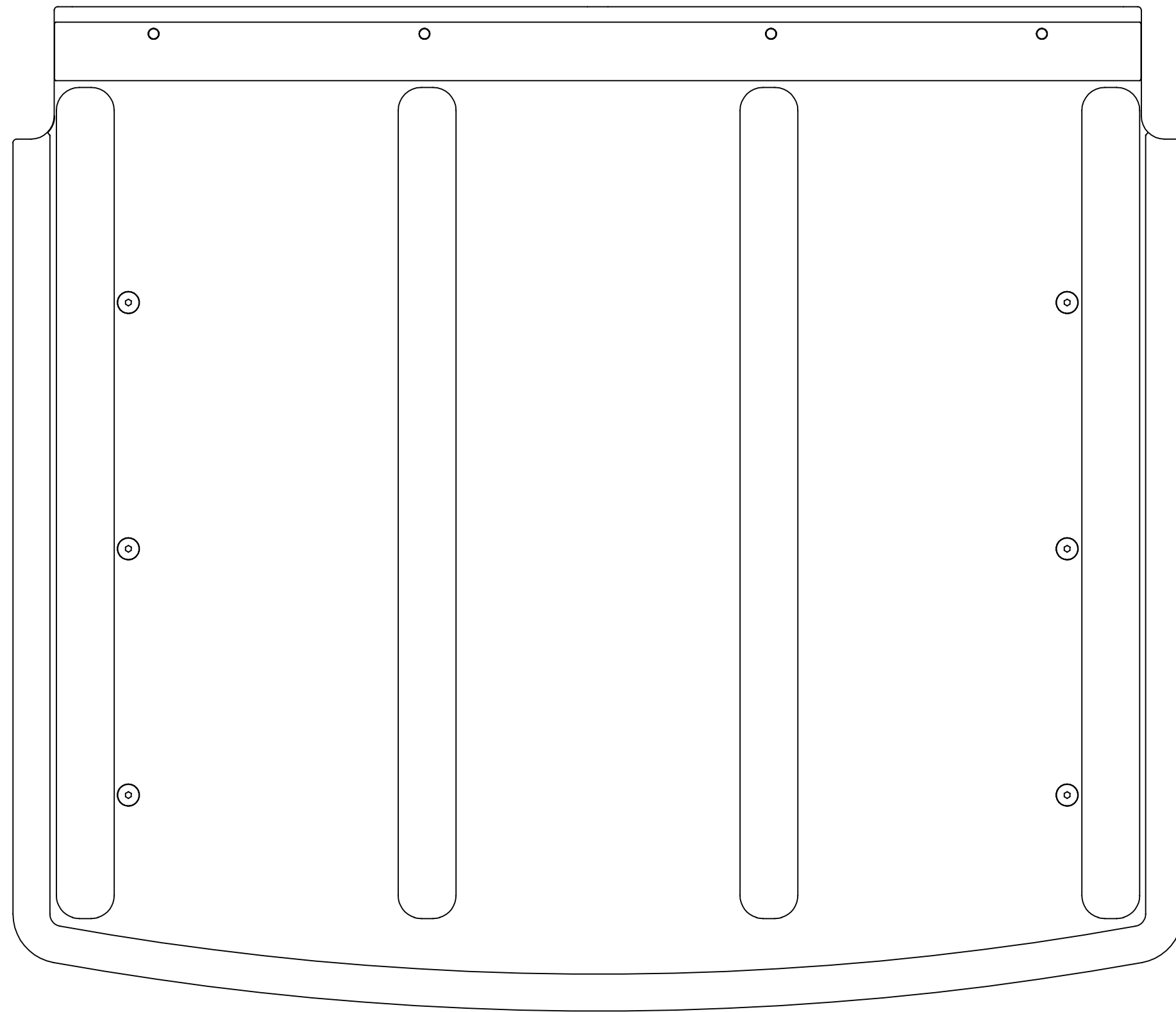
ZONE	REV	DESCRIPTION	DATE	APPROVED
	F	ECN #4269	9/19/12	S MARSHALL



INSTALL SUPPLIED SCREWS THROUGH LOCK WASHER, PLATFORM AND SPACER STRIP AS SHOWN INTO S6 RECEIVER TYP. 4 PLACES



.250-20UNC HOLES CAN BE USED TO MOUNT TO HORIZONTAL SURFACE.



CUSTOMER DRAWING - CUSTOMER DRAWING

SOLIDWORKS DRAWING FILE	DIMENSIONS ARE SHOWN AS:		SIGNATURES		DATE	<b>VIRGINIA PANEL CORPORATION</b> WWW.VPC.COM		
	(millimeters)		DR	R HERRON	7/22/2005			
	INCHES		CHK	E HUBBARD	7/25/2005	<b>15" PLATFORM KIT, S6</b>		
	REMOVE BURRS. BREAK SHARP EDGES		ENG	R HERRON	7/22/2005			
	MATERIAL		PROD					
FINISH		ASSY			SIZE	CAGE CODE	DWG.NO.	REV
		QA			C	18117	310113435	F
		APPD			SCALE: NONE	7/22/2005	310113435	SHEET 1 OF 1

1. FOR APPLICATION, USE & CARE INFORMATION CONSULT VPC USERS GUIDE @WWW.VPC.COM

NOTES:

4

3

2

1

D

D

C

C

B

B

A

A