

4

3

2

1

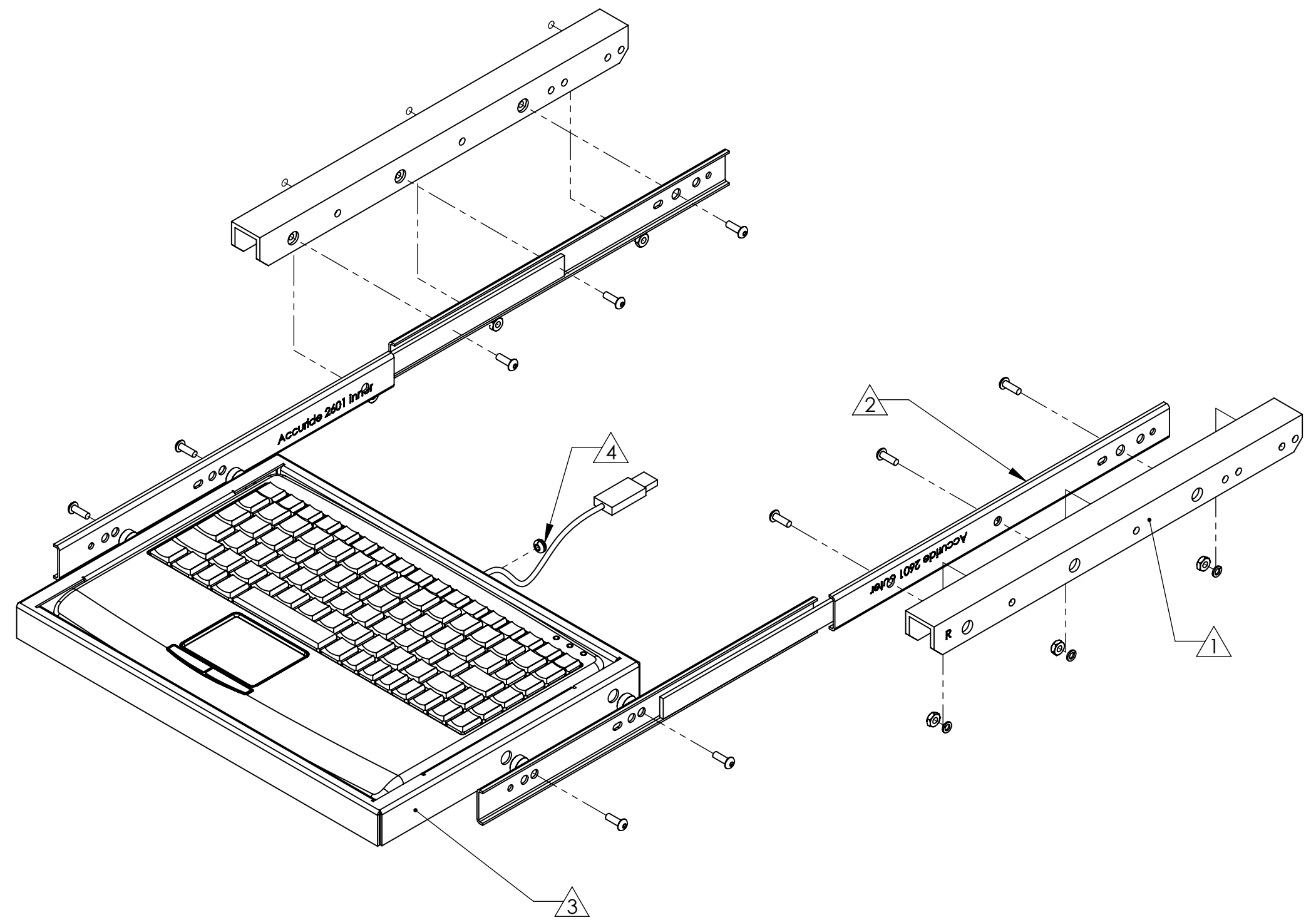
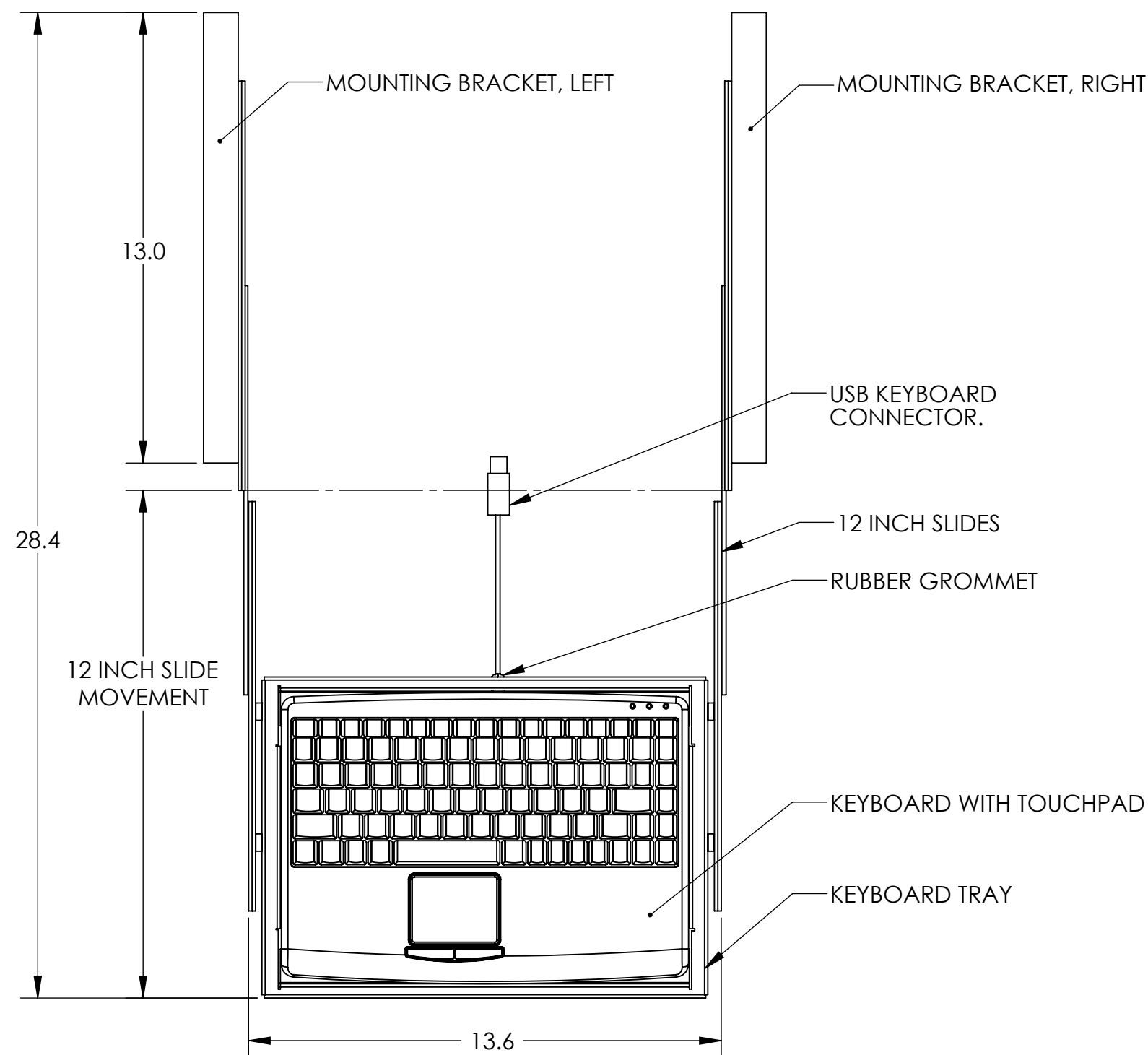
DO NOT SCALE DRAWING

THE INFORMATION CONTAINED HEREIN IS THE EXCLUSIVE PROPERTY OF VIRGINIA PANEL CORPORATION AND IS SUBMITTED FOR USE BY THE CUSTOMER ONLY. THE DATA SHALL NOT BE DUPLICATED, USED, OR DISCLOSED IN WHOLE OR IN PART FOR ANY PURPOSE OTHER THAN TO MAINTAIN THE EQUIPMENT PROVIDED. CONSULT WITH VIRGINIA PANEL CORPORATION ENGINEERING IF MORE DETAIL IS REQUIRED.

REVISIONS			
REV	DESCRIPTION	DATE	ENGR
E	ECN #12891	9/30/22	M ECKERT

D

D



C

C

B

B

A

A

INSTALLATION INSTRUCTIONS

- 1 ATTACH KEYBOARD MOUNTING BRACKETS TO THE EXISTING SLIDE BRACKETS THAT ARE MOUNTED UNDERNEATH THE PLATFORM. LOCATE THE EXPOSED #8-32 SCREWS AND PLACE THE MOUNTING BRACKETS OVER THE THREADS INTO THE APPROPRIATE HOLES. NOTE THE SIMILAR HOLE PATTERN ON THE KEYBOARD BRACKETS. USE THE #8-32 NUTS AND LOCK WASHERS TO ATTACH THE KEYBOARD BRACKET TO THE PLATFORM MOUNTING BRACKETS.
- 2 USE THE #8-32 BUTTON HEAD SCREWS TO ATTACH THE 12 INCH SLIDES TO THE INNER SIDE OF THE KEYBOARD BRACKETS. THE END OF THE SLIDE WITH THE SMALLER BLACK TAB AND MANUFACTURER STAMPED IDENTIFICATION SHOULD BE PLACED TOWARD THE RACK.
- 3 USE THE REMAINING FOUR #8-32 BUTTON HEAD SCREWS AND #8 SPACERS TO MOUNT THE KEYBOARD TRAY INTO THE EXTENDED 12 INCH SLIDES. THE #8 SPACERS SHOULD BE PLACED BETWEEN THE KEYBOARD TRAY AND THE SLIDES.
- 4 WRAP RUBBER GROMMET AROUND CABLE NEAR KEYBOARD TRAY AND POSITION INTO HOLE PROVIDED ON BACK OF TRAY. IF GROMMET IS NOT SPLIT, CAREFULLY SLICE THROUGH ONE SIDE OF THE GROMMET TO ALLOW IT TO ENIRCLE THE WIRE.

- 3. USB CONNECTOR HAS 72" CABLE
- 2. FOR USE WITH SLIDE KITS

NOTES:

DIMENSIONS ARE SHOWN AS:  
[MILLIMETERS]  
INCHES

<b>CUSTOMER DRAWING</b>			
<b>VPC</b>			
<small>WWW.VPC.COM</small>			
<b>KEYBOARD TRAY KIT f/ SLIDE CONFIG</b>			
SIZE	CAGE CODE	DWG. NO.	REV
C	18117	<b>310113439</b>	E
SCALE: 1:8	310113439	7/11/05	SHEET 1 OF 1

4

3

2

1