

4

3

2

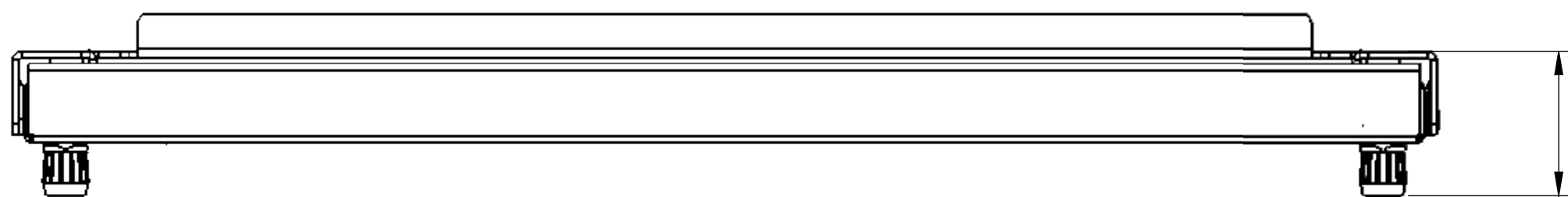
1

DO NOT SCALE DRAWING

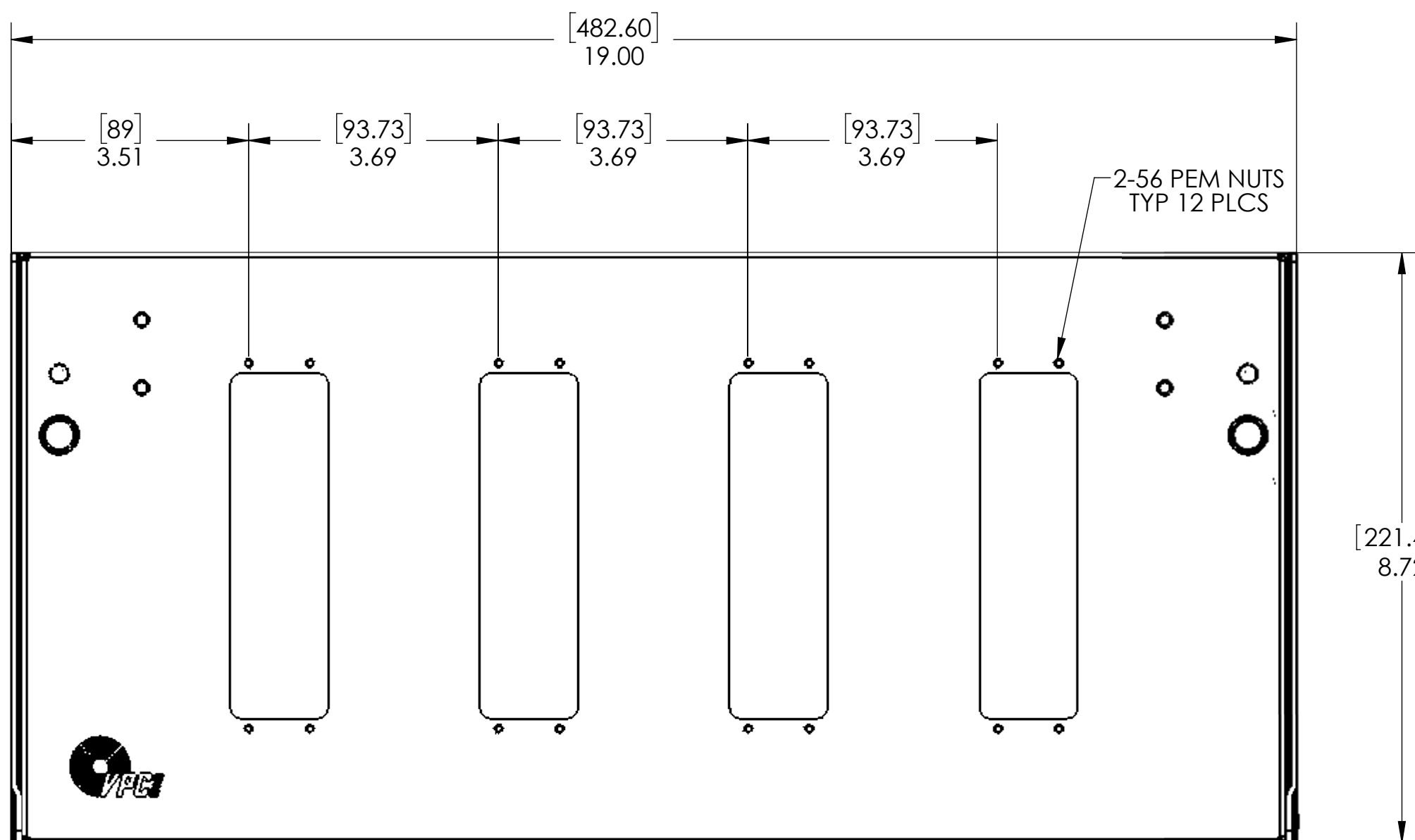
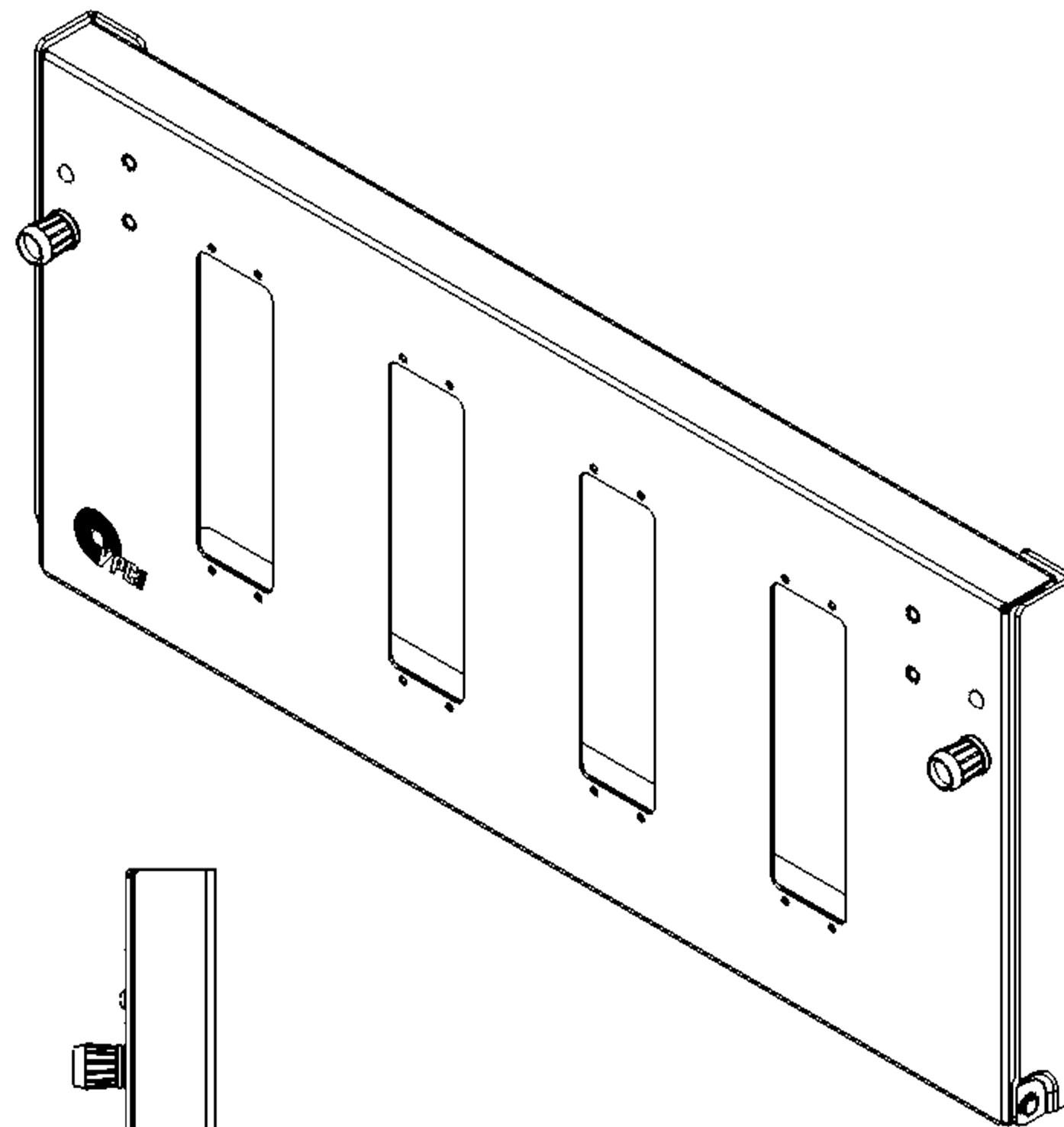
THE INFORMATION CONTAINED HEREIN IS THE EXCLUSIVE PROPERTY OF VPC AND IS PERMITTED FOR USE BY THE CUSTOMER ONLY. THE DATA SHALL NOT BE DUPLICATED, USED, OR DISCLOSED IN WHOLE OR IN PART FOR ANY PURPOSE OTHER THAN TO MAINTAIN THE EQUIPMENT PROVIDED. CONSULT WITH VPC ENGINEERING IF MORE DETAIL IS REQUIRED.

REVISIONS

REV	DESCRIPTION	DATE	ENGR
D	ECN #13006	11/16/22	M ECKERT



[48.88]
1.92



[482.60]
19.00

[89]
3.51

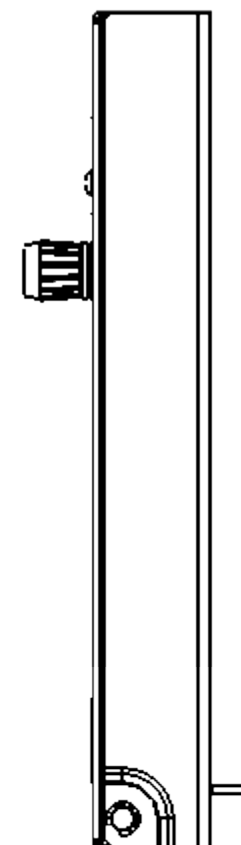
[93.73]
3.69

[93.73]
3.69

[93.73]
3.69

2-56 PEM NUTS
TYP 12 PLCS

[221.49]
8.72



- 3. ICON COVER PLATES ARE SHIPPED WITH ASSEMBLY.
- 2. USE WITH iCon RECEIVERS 310123101 AND 310123102
- 1. FOR MORE INFORMATION, VISIT VPC.COM.

NOTES:

CUSTOMER DRAWING

VIRGINIA PANEL CORPORATION
WWW.VPC.COM

VHMF, RECEIVER, 5U, iCon
4 POSITIONS W/ 2 CVR PLTS

DIMENSIONS ARE SHOWN AS:	SIZE	CAGE CODE	DWG. NO.	REV
[MILLIMETERS] INCHES	C	18117	310113508	D
SCALE: NONE		310113508	1/18/07	SHEET 1 OF 1

4

3

2

1