

4

3

2

1

DO NOT SCALE DRAWING

THE INFORMATION CONTAINED HEREIN IS THE EXCLUSIVE PROPERTY OF VIRGINIA PANEL CORPORATION AND IS SUBMITTED FOR USE BY THE CUSTOMER ONLY. THE DATA SHALL NOT BE DUPLICATED, USED, OR DISCLOSED IN WHOLE OR IN PART FOR ANY PURPOSE OTHER THAN TO MAINTAIN THE EQUIPMENT PROVIDED. CONSULT WITH VIRGINIA PANEL CORPORATION ENGINEERING IF MORE DETAIL IS REQUIRED.

REVISIONS			
REV	DESCRIPTION	DATE	ENGR
C	ECN #11103	1/27/21	R HERRON

D

D

C

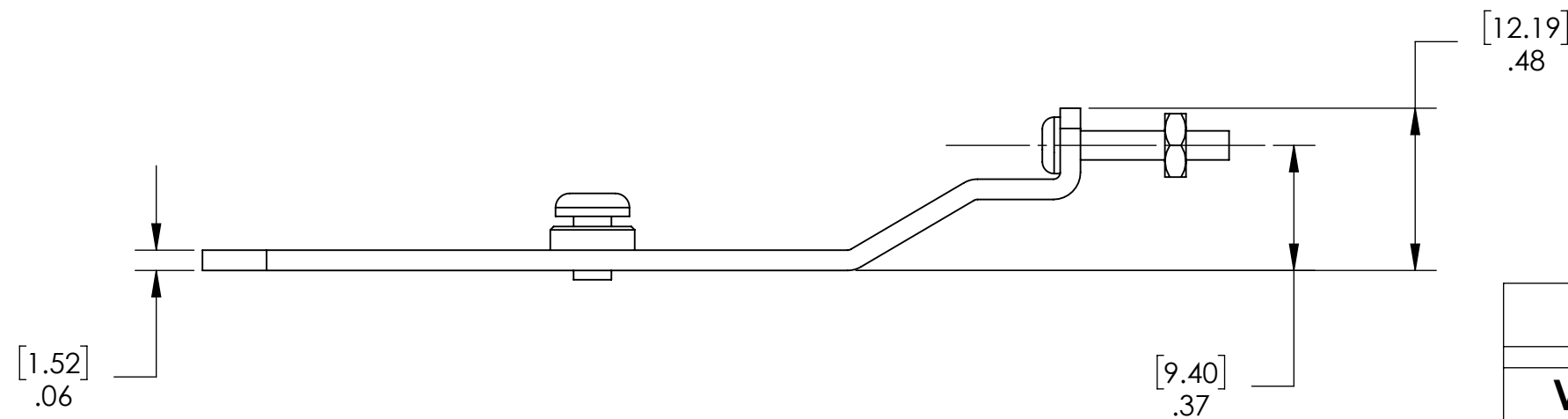
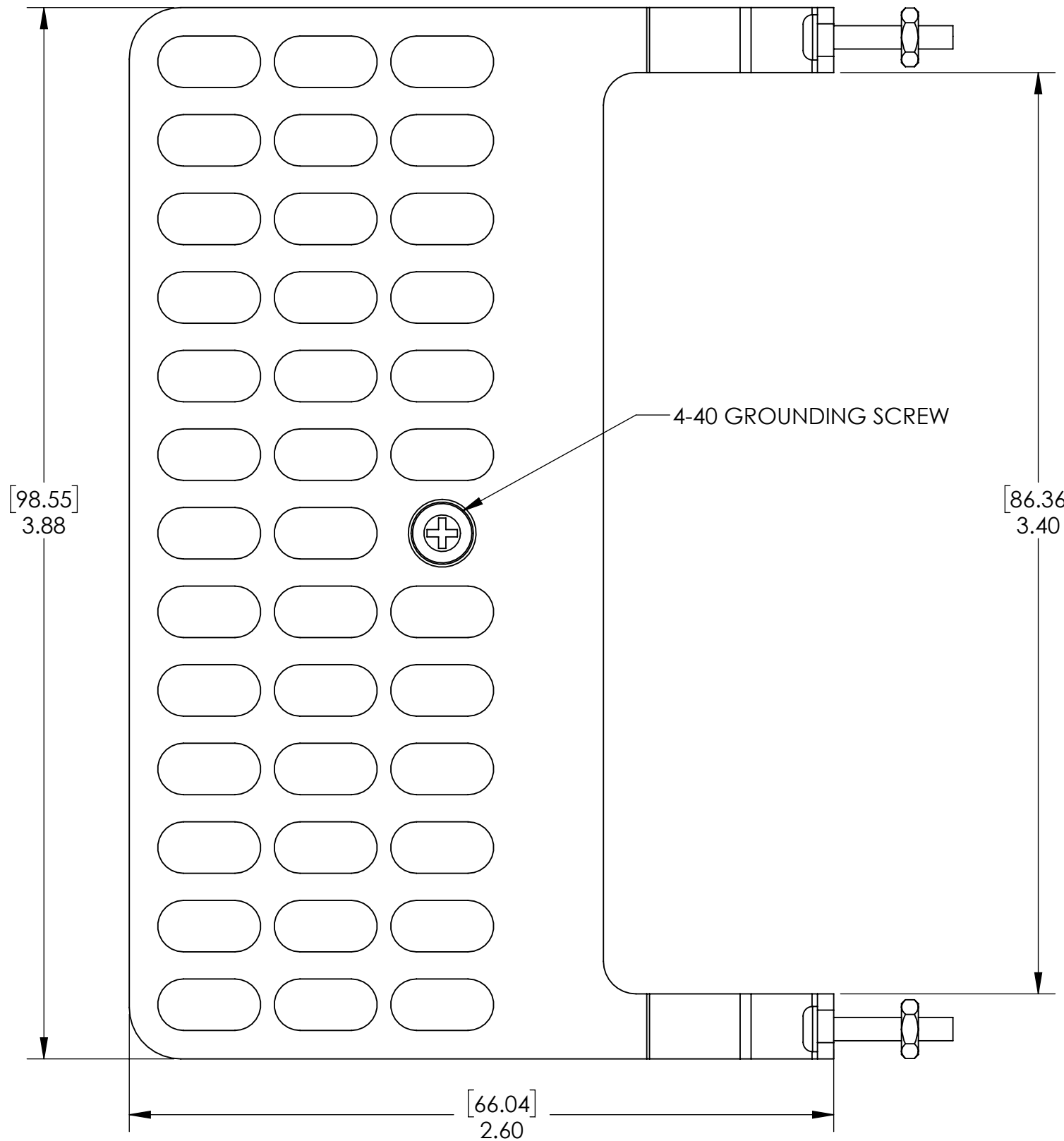
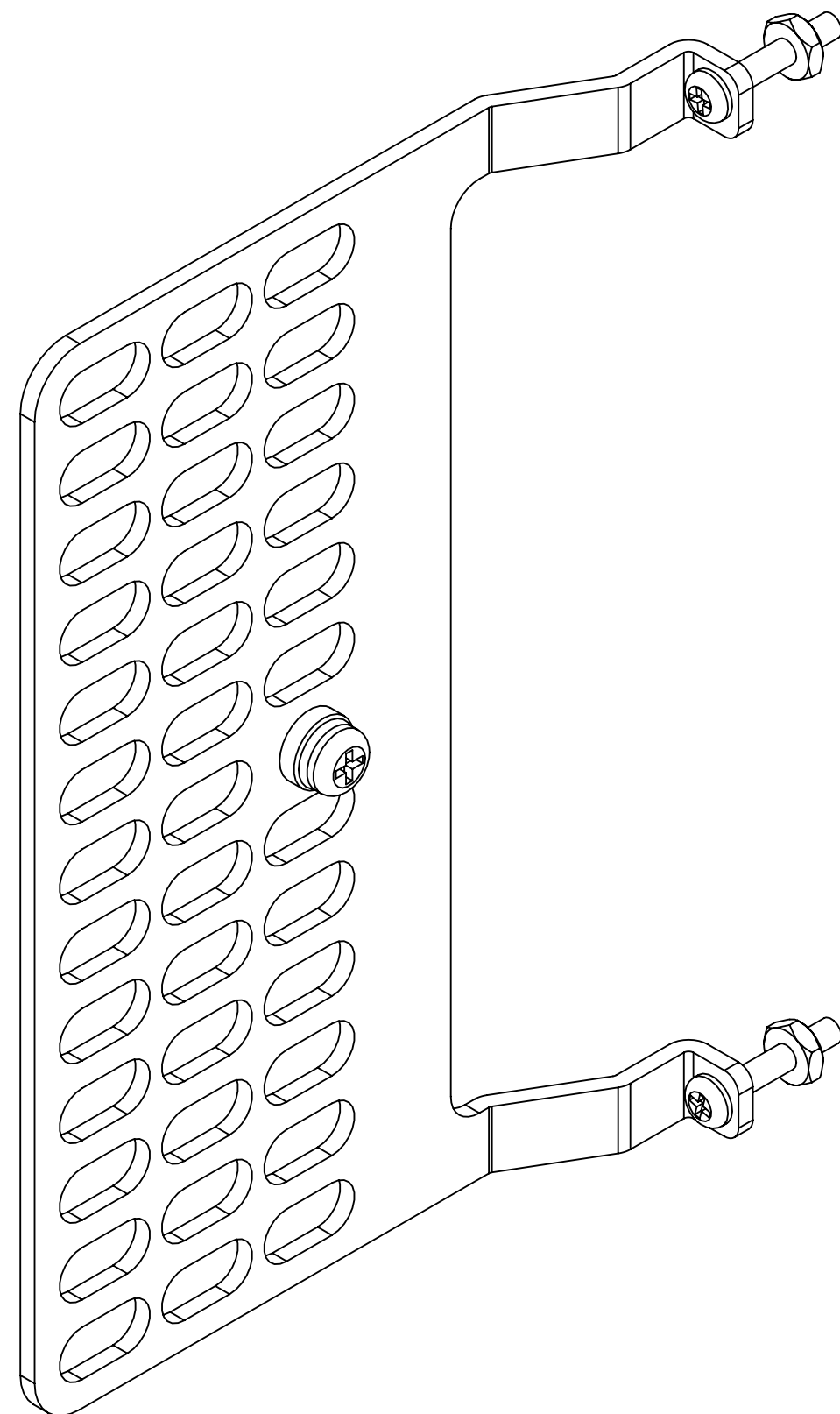
C

B

B

A

A



3. MATERIALS:  
 PLATE - POWDER COATED ALUMINUM  
 HARDWARE - STAINLESS STEEL
2. FOUR ZIP TIES SUPPLIED WITH ASSEMBLY (NOT SHOWN)
1. FOR APPLICATION USE & CARE INFORMATION CONSULT VPC USERS GUIDE @WWW.VPC.COM
- NOTES:

RELATIVE CONNECTOR POSITIONS  
 AND WIRE ROUTING ARE GENERIC  
 AND MAY VARY WITH PAYOUT

DIMENSIONS ARE SHOWN AS:  
 [MILLIMETERS]  
 INCHES

<b>CUSTOMER DRAWING</b>			
<b>VIRGINIA PANEL CORPORATION</b> WWW.VPC.COM			
<b>STRAIN RELIEF</b> <b>i2 EMI RCV</b>			
SIZE	CAGE CODE	DWG. NO.	REV
C	18117	<b>310113681</b>	C
SCALE: 2:1	310113681	2/2/15	SHEET 1 OF 1

4

3

2

1