

4

3

2

1

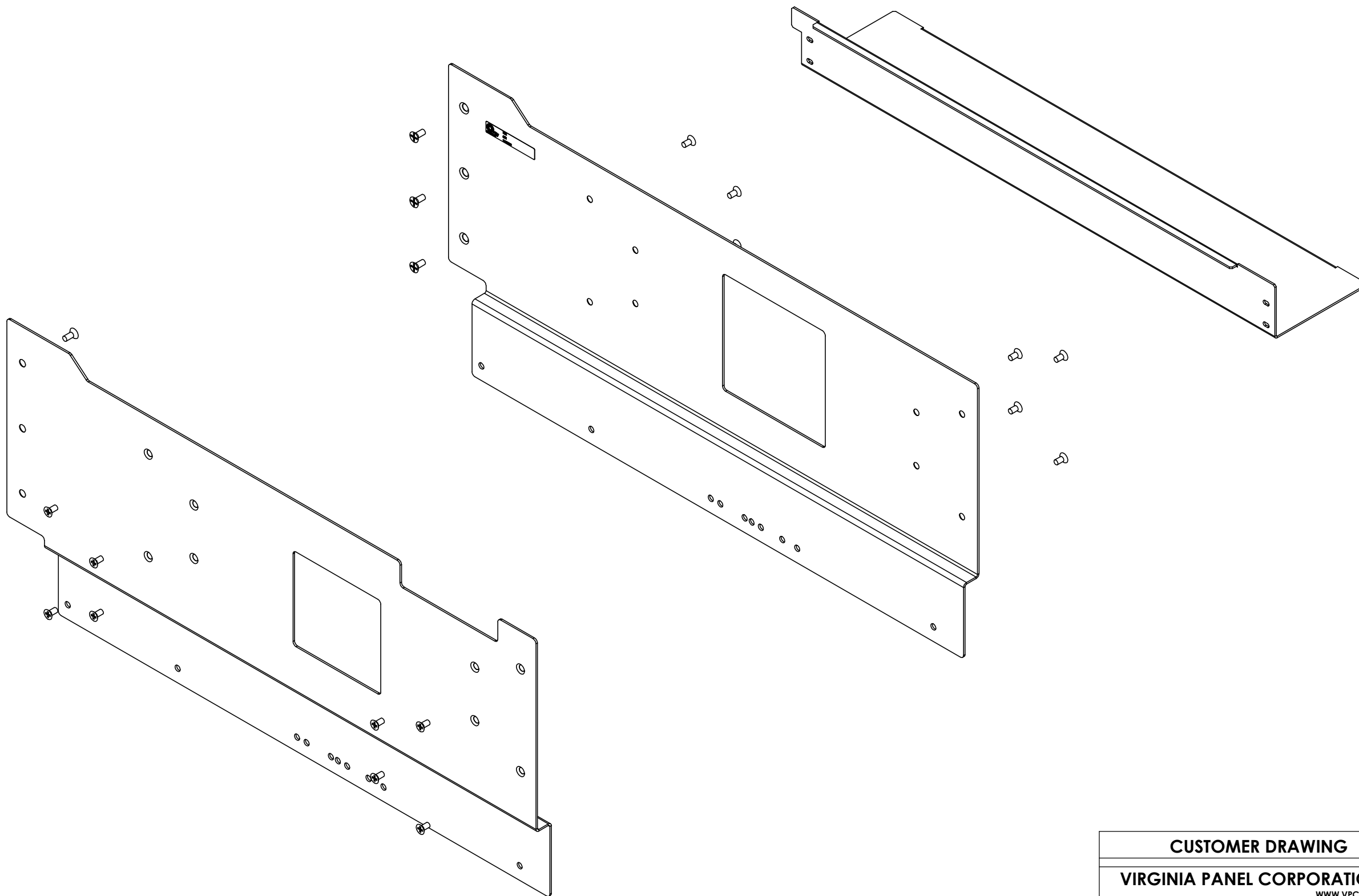
DO NOT SCALE DRAWING

THE INFORMATION CONTAINED HEREIN IS THE EXCLUSIVE PROPERTY OF VIRGINIA PANEL CORPORATION AND IS SUBMITTED FOR USE BY THE CUSTOMER ONLY. THE DATA SHALL NOT BE DUPLICATED, USED, OR DISCLOSED IN WHOLE OR IN PART FOR ANY PURPOSE OTHER THAN TO MAINTAIN THE EQUIPMENT PROVIDED. CONSULT WITH VIRGINIA PANEL CORPORATION ENGINEERING IF MORE DETAIL IS REQUIRED.

REVISIONS			
REV	DESCRIPTION	DATE	ENGR
A	DRAWING ORIGATION - ECN #10723	10/1/2020	L LOCKRIDGE

D
C
B
A

D
C
B
A



- NOTES:
- SEE SHEET 2.
 - SEE HARDWARE LISTING FOR SIZES AND LOCATIONS. KIT INCLUDES TWO SETS OF FLANGES AND HARDWARE, ONLY ONE SET SHOWN ABOVE.
 - FOR APPLICATION USE & CARE INFORMATION CONSULT VPC USERS GUIDE @WWW.VPC.COM

INCLUDED HARDWARE	QTY	PURPOSE
SCR FH PHL M4 X 12MM	32	ATTACHES FLANGES TO PXI CHASSIS
SCR FH PHL 8-32X.375	12	ATTACHES FLANGES TO RECEIVER
SCR PH PHL 8-32X.375	16	ATTACHES FLANGES TO RACK SLIDES
WSH LK #8	16	ATTACHES FLANGES TO RACK SLIDES
NUT HEX #8	16	ATTACHES FLANGES TO RACK SLIDESB3

RELATIVE CONNECTOR POSITIONS AND WIRE ROUTING ARE GENERIC AND MAY VARY WITH PRODUCT

DIMENSIONS ARE SHOWN AS:
[MILLIMETERS]
INCHES

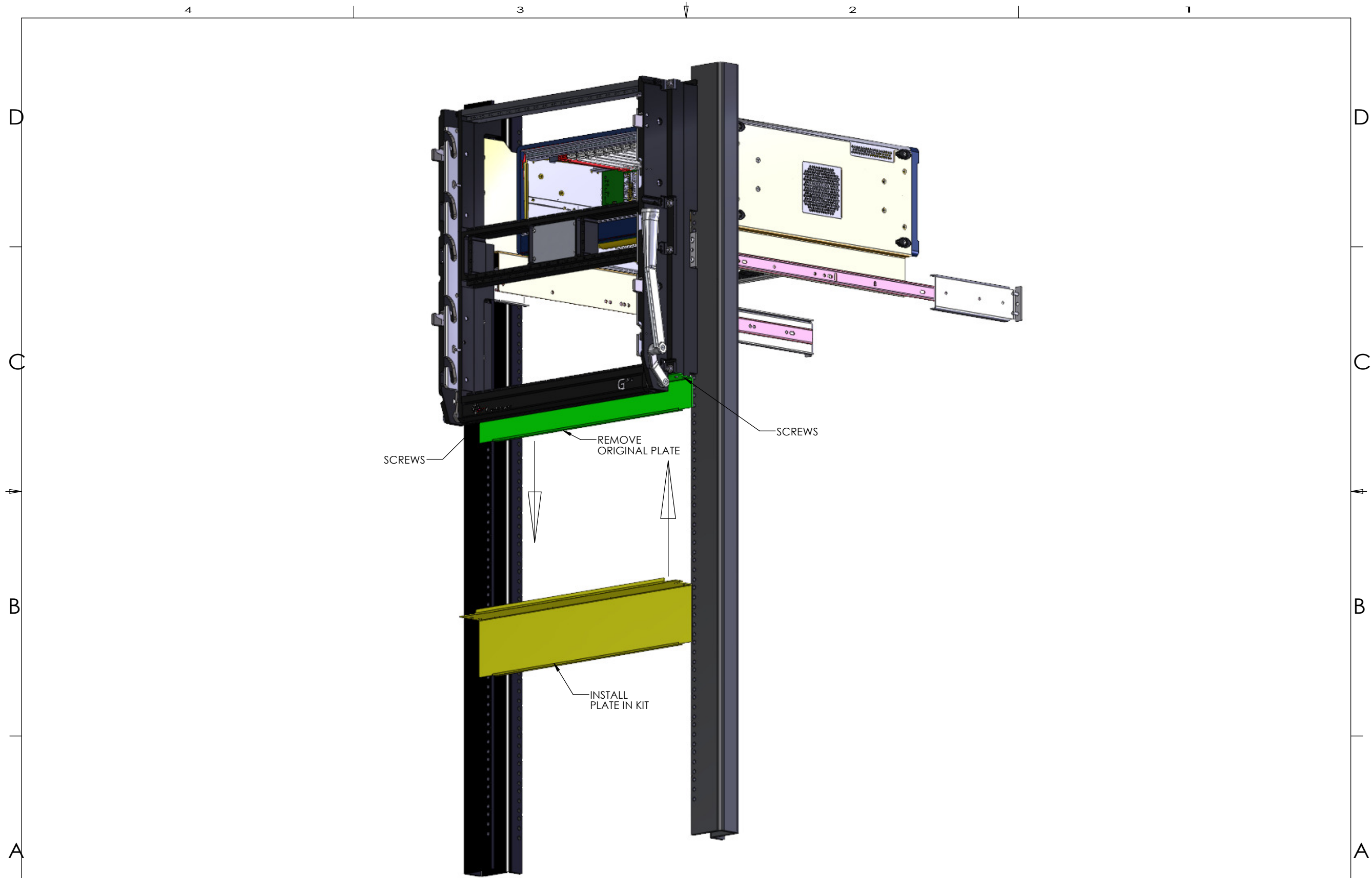
CUSTOMER DRAWING			
VIRGINIA PANEL CORPORATION WWW.VPC.COM			
RCV AC FLNG KT G40X F-PXle 1084/1095			
SIZE	CAGE CODE	DWG. NO.	REV
C	18117	310113784	A
SCALE: 1:2			SHEET 1 OF 2

4

3

2

1



3. WHEN INSTALLING THE NEW BOTTOM PLATE, REMOVE THE 4 SCREWS (2 ON EACH SIDE) HOLDING ON THE ORIGINAL PLATE. THE ORIGINAL PLATE WILL DROP FREE. TO INSTALL THE PLATE FROM THE KIT, USE THE 4 SCREWS FROM THE ORIGINAL PLATE, MOUNTED THROUGH THE SAME LOCATION.

NOTES: DO NOT SCALE DRAWING

CUSTOMER DRAWING - CUSTOMER DRAWING - CUSTOMER DRAWING

THE INFORMATION CONTAINED HEREIN IS THE EXCLUSIVE PROPERTY OF VIRGINIA PANEL CORPORATION AND IS SUBMITTED FOR USE BY THE CUSTOMER ONLY. THE DATA SHALL NOT BE DUPLICATED, USED, OR DISCLOSED IN WHOLE OR IN PART FOR ANY PURPOSE OTHER THAN TO MAINTAIN THE EQUIPMENT PROVIDED.		SIZE C	CAGE CODE 18117	DWG.NO. 310113784	REV A
SCALE: 1:4			SHEET 2 OF 2		