

4

3

2

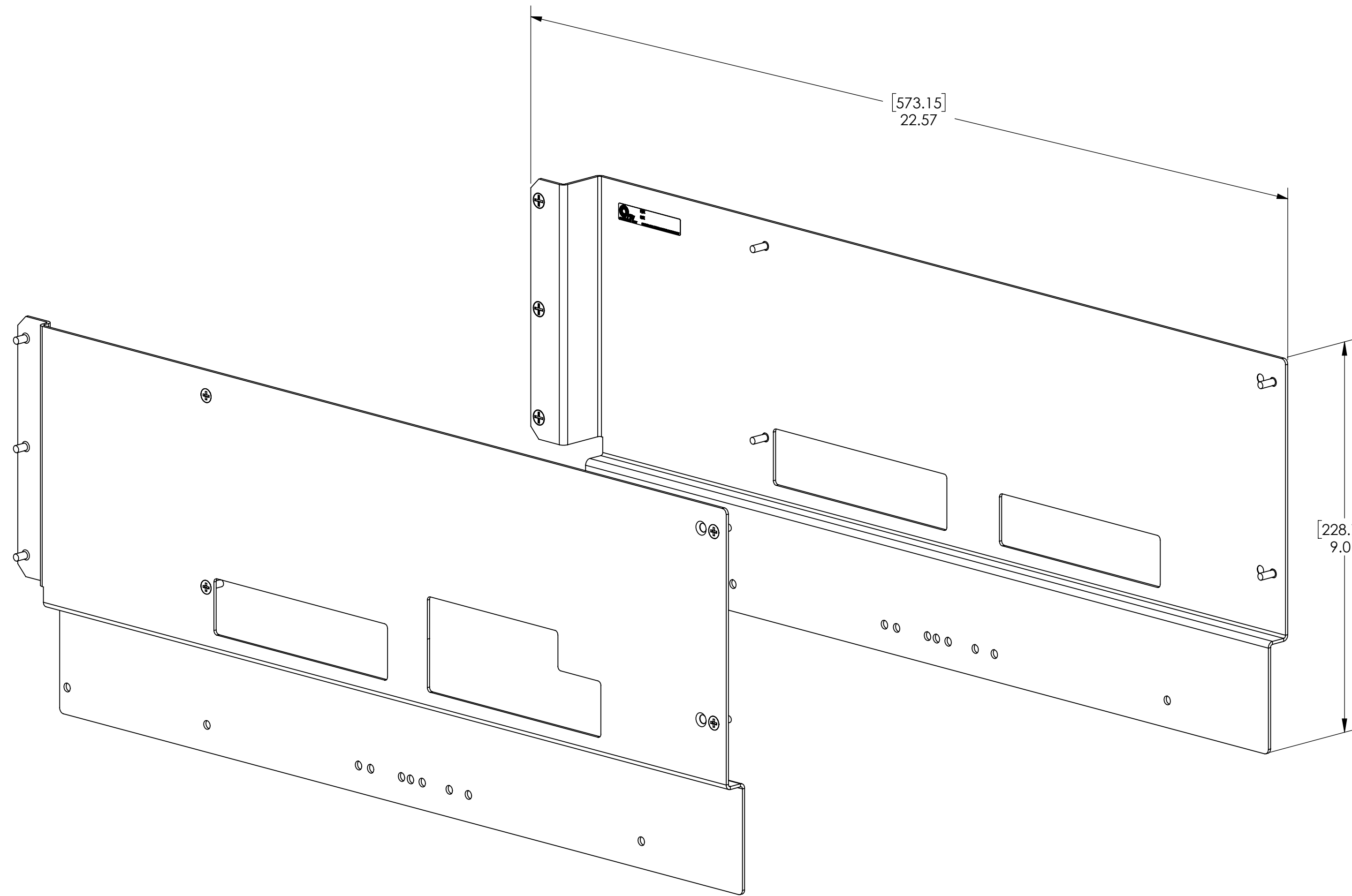
1

DO NOT SCALE DRAWING

THE INFORMATION CONTAINED HEREIN IS THE EXCLUSIVE PROPERTY OF VPC AND IS PERMITTED FOR USE BY THE CUSTOMER ONLY. THE DATA SHALL NOT BE DUPLICATED, USED, OR DISCLOSED IN WHOLE OR IN PART FOR ANY PURPOSE OTHER THAN TO MAINTAIN THE EQUIPMENT PROVIDED. CONSULT WITH VPC ENGINEERING IF MORE DETAIL IS REQUIRED.

REVISIONS

REV	DESCRIPTION	DATE	ENGR
A	DRAWING ORIGINATION ECN #14971	5/8/2025	M ECKERT



2. SEE HARDWARE LISTING FOR SIZES AND LOCATIONS.

1. FOR MORE INFORMATION, VISIT VPC.COM.

NOTES:

INCLUDED HARDWARE	QTY	PURPOSE
SCR FH PHL M4 X 8MM	8	ATTACHES FLANGES TO PXI CHASSIS
SCR FH PHL 8-32 .375 100D	6	ATTACHES FLANGES TO RECEIVER
SCR PH PHL 8-32 .375	8	ATTACHES FLANGES TO RACK SLIDES
WSH LK #8	8	ATTACHES FLANGES TO RACK SLIDES
NUT HEX #8	8	ATTACHES FLANGES TO RACK SLIDES

DIMENSIONS ARE SHOWN AS:
[MILLIMETERS]
INCHES

CUSTOMER DRAWING			
VIRGINIA PANEL CORPORATION WWW.VPC.COM			
RCV FLNG G40X EMI M9019/ES2785			
SIZE	CAGE CODE	DWG. NO.	REV
C	18117	310113801	A
SCALE: NONE			SHEET 1 OF 1

4

3

2

1

D

D

C

C

B

B

A

A