

4

3

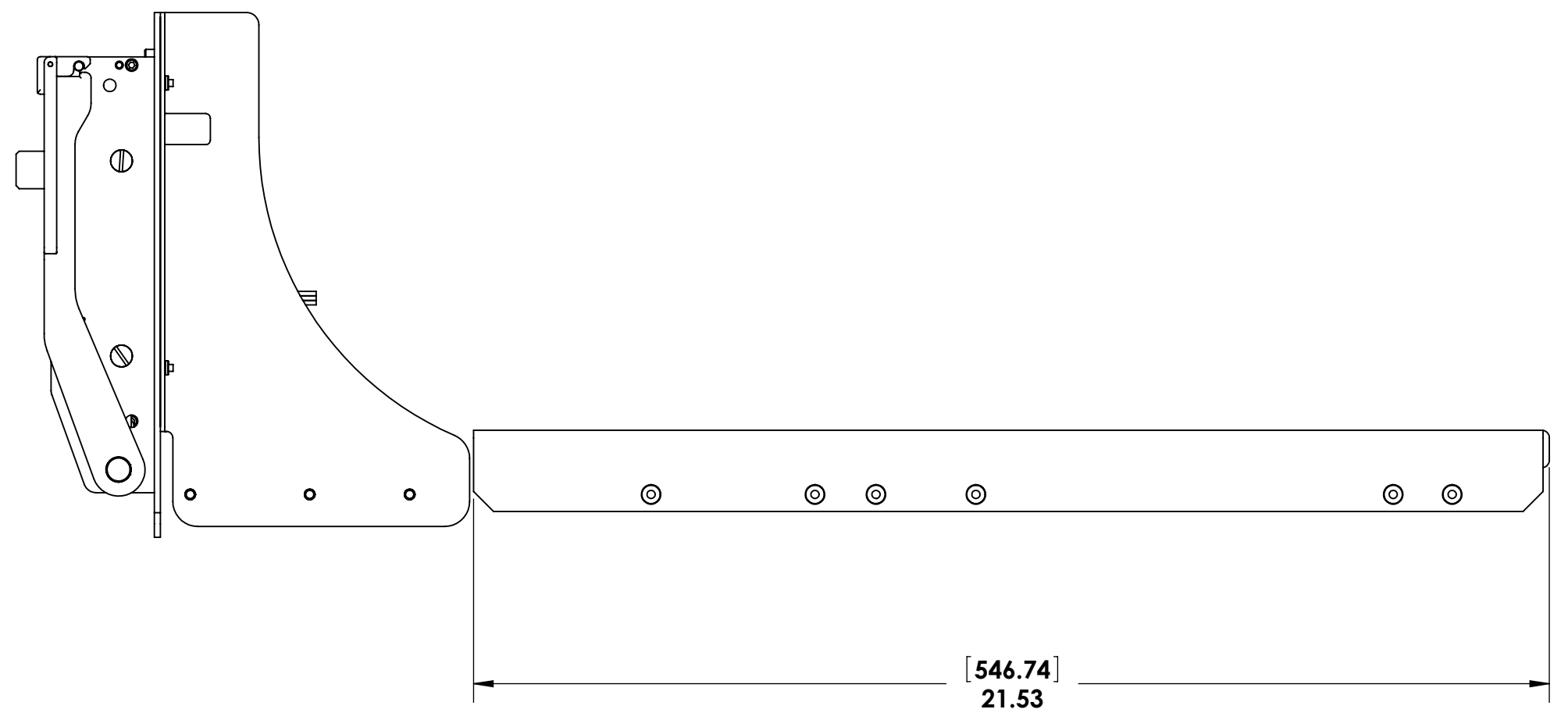
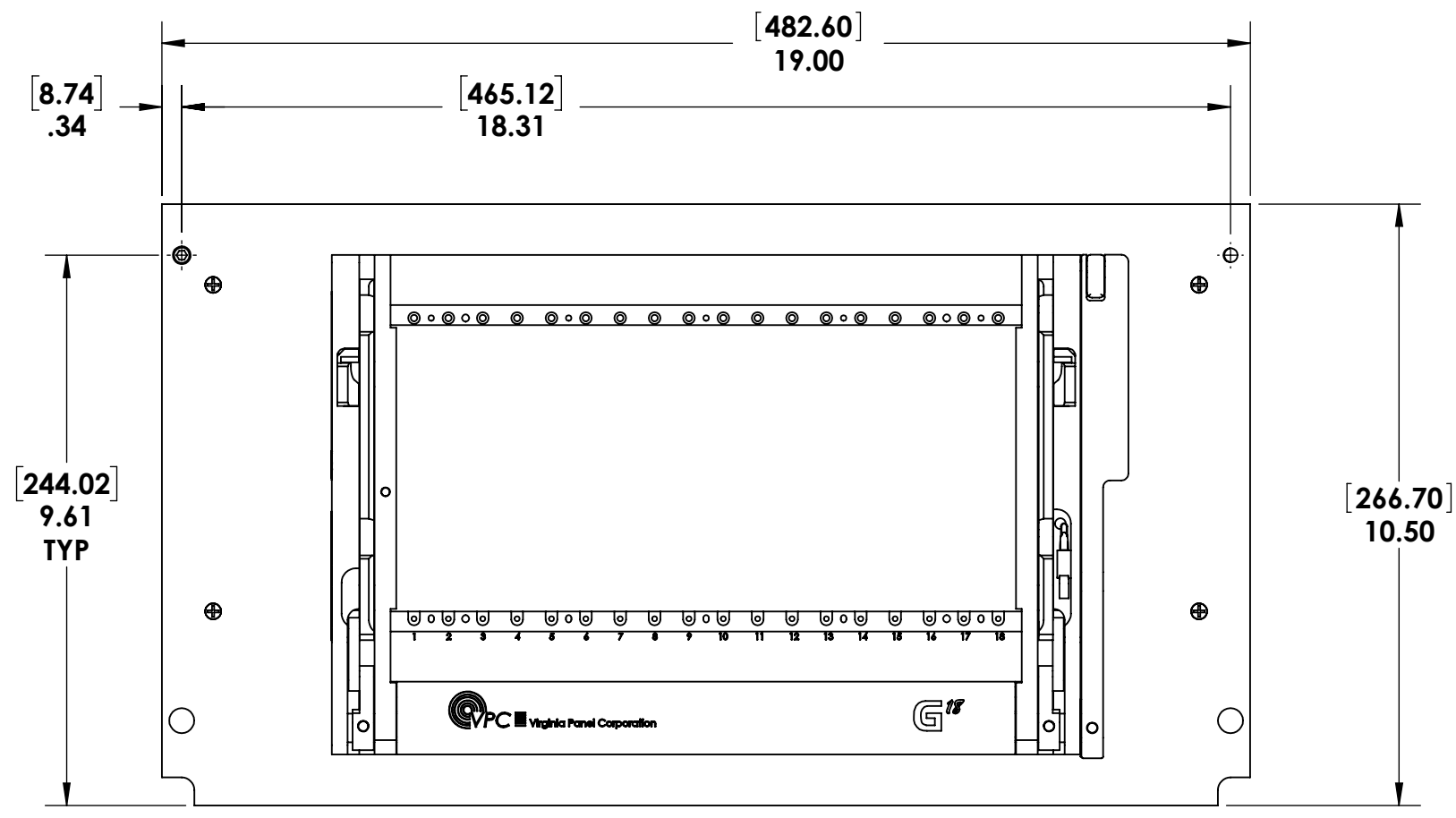
2

1

DO NOT SCALE DRAWING

THE INFORMATION CONTAINED HEREIN IS THE EXCLUSIVE PROPERTY OF VIRGINIA PANEL CORPORATION AND IS SUBMITTED FOR USE BY THE CUSTOMER ONLY. THE DATA SHALL NOT BE DUPLICATED, USED, OR DISCLOSED IN WHOLE OR IN PART FOR ANY PURPOSE OTHER THAN TO MAINTAIN THE EQUIPMENT PROVIDED. CONSULT WITH VIRGINIA PANEL CORPORATION ENGINEERING IF MORE DETAIL IS REQUIRED.

REVISIONS			
REV	DESCRIPTION	DATE	ENGR
F	ECN #9866	1/15/20	I COFFEY



D

D

C

C

B

B

A

A

1. FOR APPLICATION USE & CARE INFORMATION CONSULT VPC USERS GUIDE @WWW.VPC.COM  
NOTES:

DIMENSIONS ARE SHOWN AS:		SIZE	CAGE CODE	DWG. NO.	REV
[MILLIMETERS]	C	18117	310120141	12/16/2008	F
INCHES	SCALE: 1:3	310120141	12/16/2008	SHEET	1 OF 2

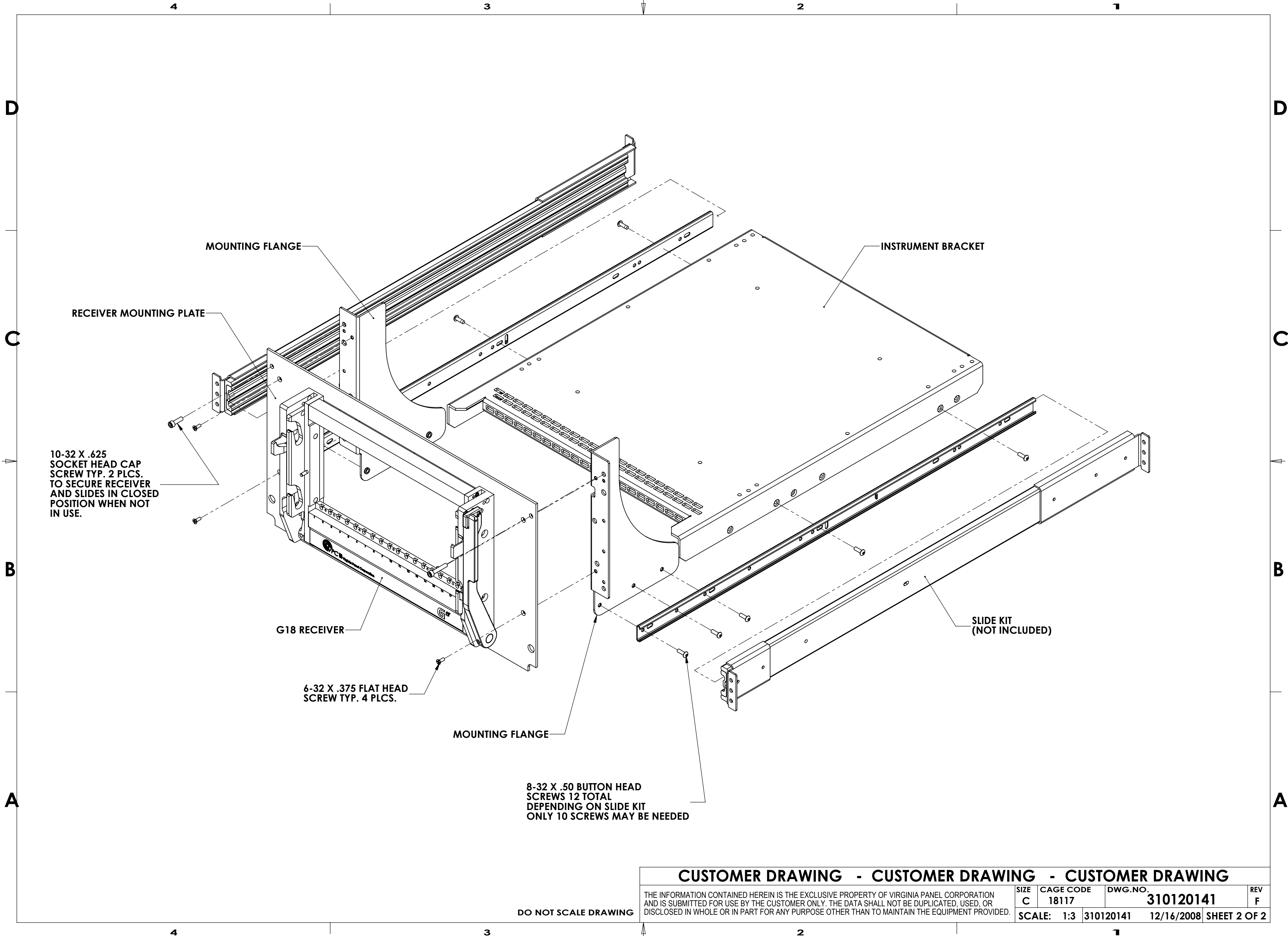
**CUSTOMER DRAWING**  
**VIRGINIA PANEL CORPORATION**  
WWW.VPC.COM  
**G18 WITH SLIDE KIT**

4

3

2

1



10-32 X .625  
SOCKET HEAD CAP  
SCREW TYP. 2 PLCS.  
TO SECURE RECEIVER  
AND SLIDES IN CLOSED  
POSITION WHEN NOT  
IN USE.

MOUNTING FLANGE

INSTRUMENT BRACKET

RECEIVER MOUNTING PLATE

G18 RECEIVER

SLIDE KIT  
(NOT INCLUDED)

6-32 X .375 FLAT HEAD  
SCREW TYP. 4 PLCS.

MOUNTING FLANGE

8-32 X .50 BUTTON HEAD  
SCREWS 12 TOTAL  
DEPENDING ON SLIDE KIT  
ONLY 10 SCREWS MAY BE NEEDED

**CUSTOMER DRAWING - CUSTOMER DRAWING - CUSTOMER DRAWING**

THE INFORMATION CONTAINED HEREIN IS THE EXCLUSIVE PROPERTY OF VIRGINIA PANEL CORPORATION AND IS SUBMITTED FOR USE BY THE CUSTOMER ONLY. THE DATA SHALL NOT BE DUPLICATED, USED, OR DISCLOSED IN WHOLE OR IN PART FOR ANY PURPOSE OTHER THAN TO MAINTAIN THE EQUIPMENT PROVIDED.

SIZE C	CAGE CODE 18117	DWG. NO. 310120141	REV F
SCALE: 1:3		310120141	12/16/2008 SHEET 2 OF 2

DO NOT SCALE DRAWING