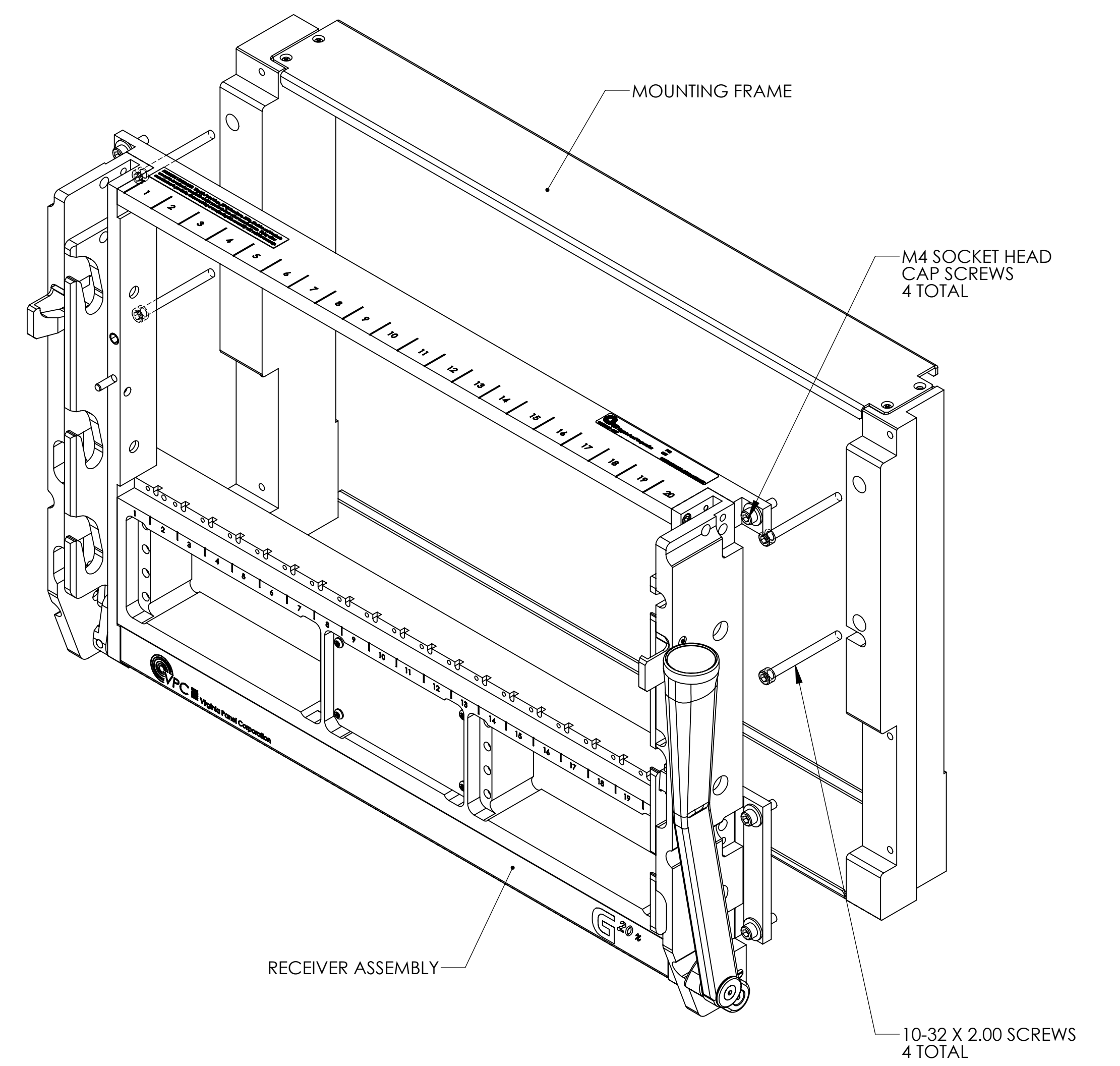
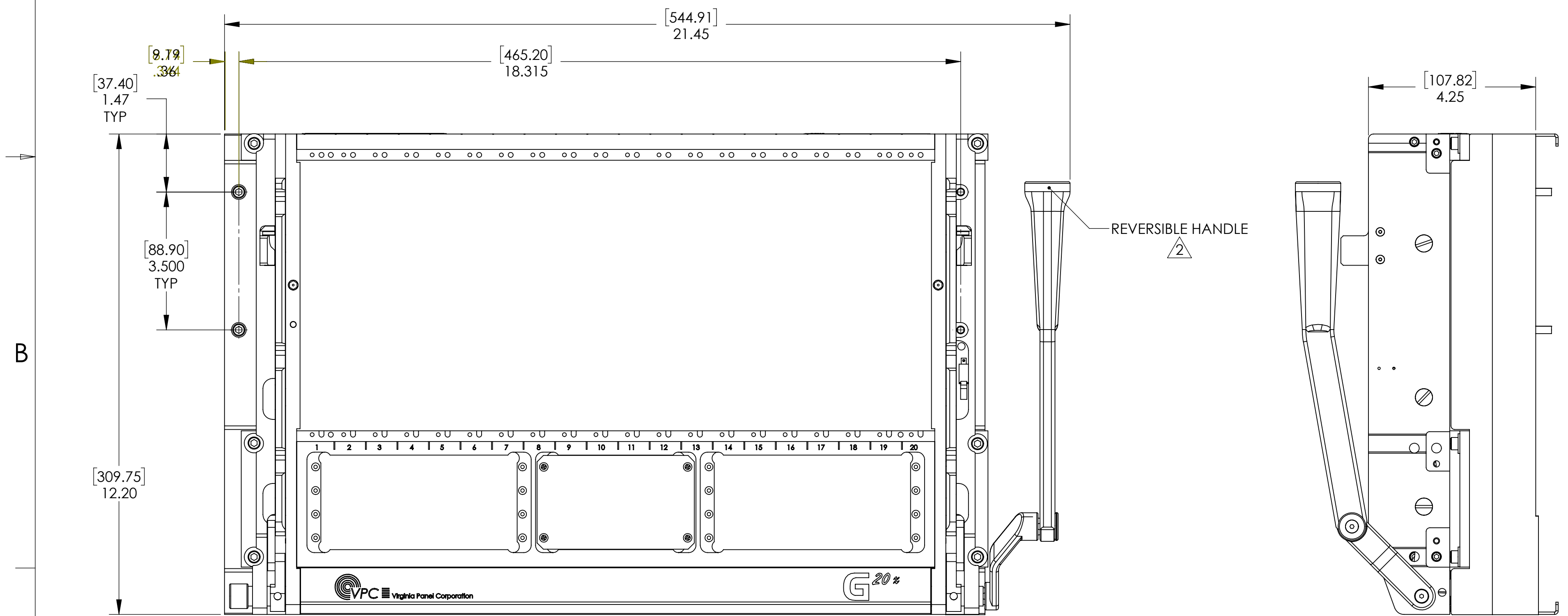
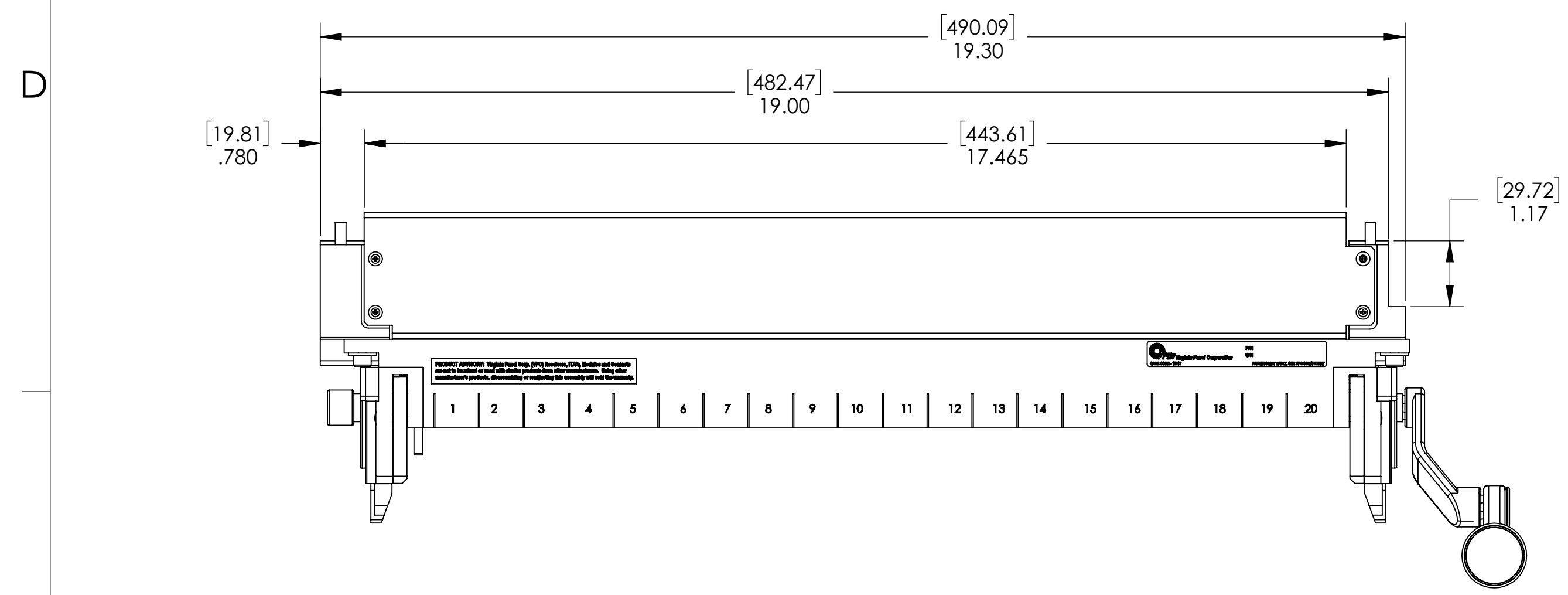


8 7 6 5 4 3 2 1

DO NOT SCALE DRAWING

THE INFORMATION CONTAINED HEREIN IS THE EXCLUSIVE PROPERTY OF VIRGINIA PANEL CORPORATION AND IS SUBMITTED FOR USE BY THE CUSTOMER ONLY. THE DATA SHALL NOT BE DUPLICATED, USED OR DISCLOSED IN WHOLE OR IN PART FOR ANY PURPOSE OTHER THAN TO MAINTAIN THE EQUIPMENT PROVIDED. CONSULT WITH VIRGINIA PANEL CORPORATION ENGINEERING IF MORE DETAIL IS REQUIRED.

REVISIONS			
REV	DESCRIPTION	DATE	ENGR
E	ECN #12886	9/29/22	M ECKERT



MOUNTING INSTRUCTIONS

SEPARATE THE RECEIVER ASSEMBLY FROM THE MOUNTING FRAME BY REMOVING THE FOUR M4 SOCKET HEAD SCREWS. ATTACH MOUNTING FRAME TO RACK USING THE FOUR 10-32 X 2.00 SCREWS SUPPLIED WITH THE ASSEMBLY. THEN RE-ATTACH THE RECEIVER ASSEMBLY TO THE MOUNTING FRAME.

- 4. WEIGHT: 17.30 LBS/[7.85 kg]
- 3. FLANGE AND SLIDE KITS ARE SOLD SEPARATELY AND ARE NOT INCLUDED WITH THIS RECEIVER.
- 2. HANDLE IS REVERSIBLE AND CAN BE REMOVED AND INSTALLED ON THE OPPOSITE SIDE IF DESIRED. SEE USERS MANUAL FOR FULL DETAILS.

NOTES:

CUSTOMER DRAWING			
VPC WWW.VPC.COM			
G20X, RCV, SLIDE MOUNT L/R HANDLE OPTION			
RELATIVE CONNECTOR POSITIONS AND WIRE ROUTING ARE GENERIC AND MAY VARY WITH PRODUCT.	SIZE	CAGE CODE	DWG. NO.
DIMENSIONS ARE SHOWN AS: [MILLIMETERS] INCHES	D 18117	310120186	E
SCALE: 1:2	310120186	4/7/14	SHEET 1 OF 1

8 7 6 5 4 3 2 1