

4

3

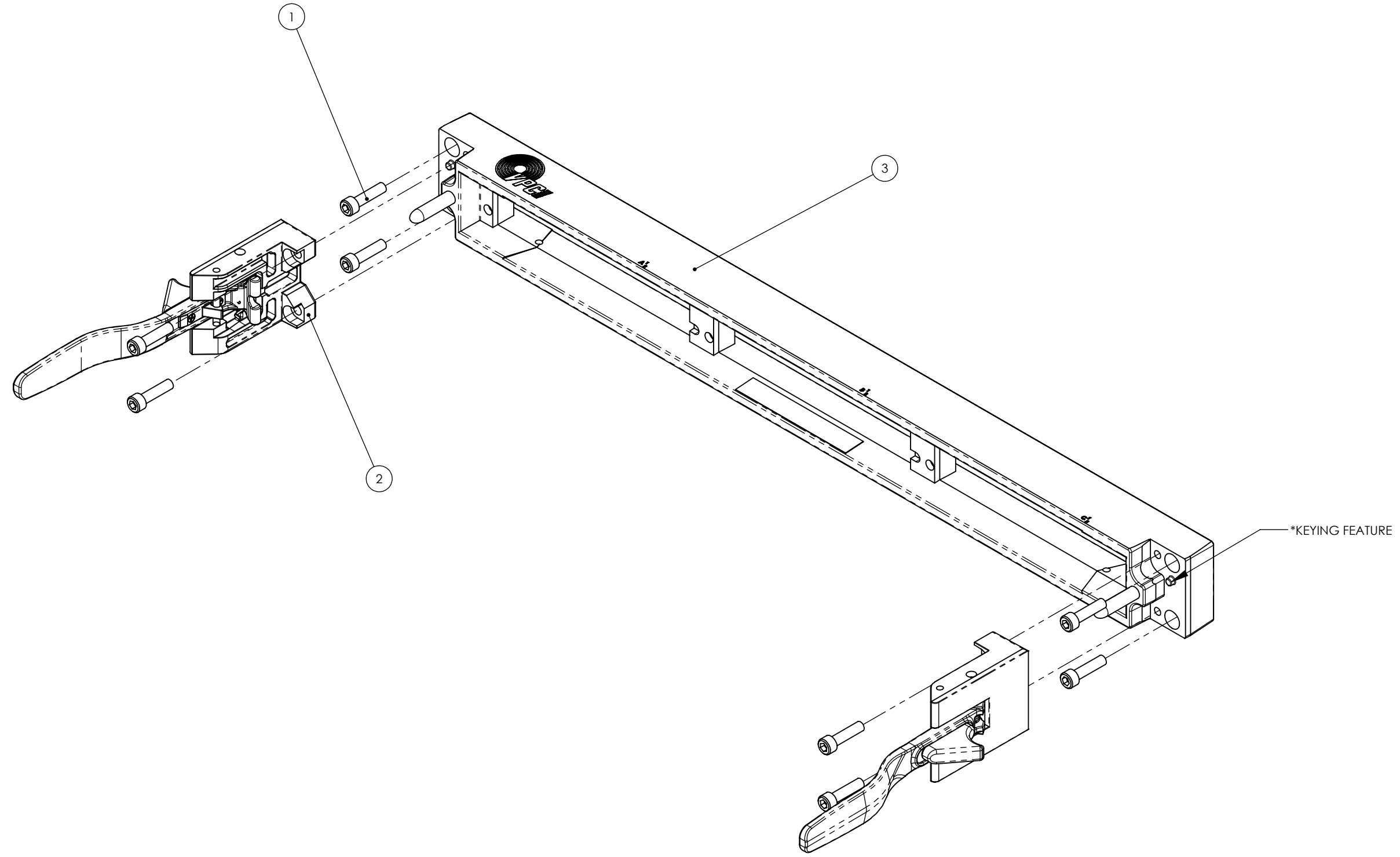
2

1

DO NOT SCALE DRAWING

THE INFORMATION CONTAINED HEREIN IS THE EXCLUSIVE PROPERTY OF VPC AND IS PERMITTED FOR USE BY THE CUSTOMER ONLY. THE DATA SHALL NOT BE DUPLICATED, USED, OR DISCLOSED IN WHOLE OR IN PART FOR ANY PURPOSE OTHER THAN TO MAINTAIN THE EQUIPMENT PROVIDED.

REV	DESCRIPTION	DATE	ENGINEER
R	ECN #12982	11/1/22	J HARDIGREE



- 4. REMOVE ROTATION BLOCK ASSEMBLIES (ITEM 2) FROM FRAME PRIOR TO SHIPPING.
- 3. INCLUDED MOUNTING HARDWARE: (4) 10-32 x .75 SOCKET HEAD CAP SCREWS (1)

- 2. INSTRUCTIONS FOR RACK MOUNTING
 - A. AFFECTED COMPONENTS
 - ITEM #1: 10-32 x .75 SH CAP SCREW (QTY. 8)
 - ITEM #2: ROTATION BLOCK ASSEMBLY (QTY. 1 LEFT & 1 RIGHT)
 - ITEM #3: RECEIVER FRAME ASSEMBLY (QTY. 1)
 - B. INSTRUCTIONS:
 - 1) USE FOUR OF ITEM #1 TO SECURE RECEIVER FRAME TO THE RACK (OR OPTIONAL RACK EXTENDER KIT, VPC PART #310113430)
 - 2) INSTALL ROTATION BLOCK ASSEMBLIES TO THE RECEIVER FRAME USING ITEM #1. USE CAUTION TO INSURE THAT THEY ARE INSTALLED IN THEIR PROPER LOCATIONS. *KEYING FEATURES ARE BUILT IN TO FACILITATE THIS

1. FOR MORE INFORMATION, VISIT VPC.COM.
 NOTES:

CUSTOMER DRAWING



**RECEIVER, S6,
6 MODULE**

RELATIVE CONNECTOR POSITIONS AND WIRE ROUTING ARE GENERIC AND MAY VARY WITH PINOUT

DIMENSIONS ARE SHOWN AS:
[MILLIMETERS]
INCHES

MATING ITA	PROTECTIVE COVER	RACK EXTENDER FOR EURO RACKS
410122100	310113436	310113430

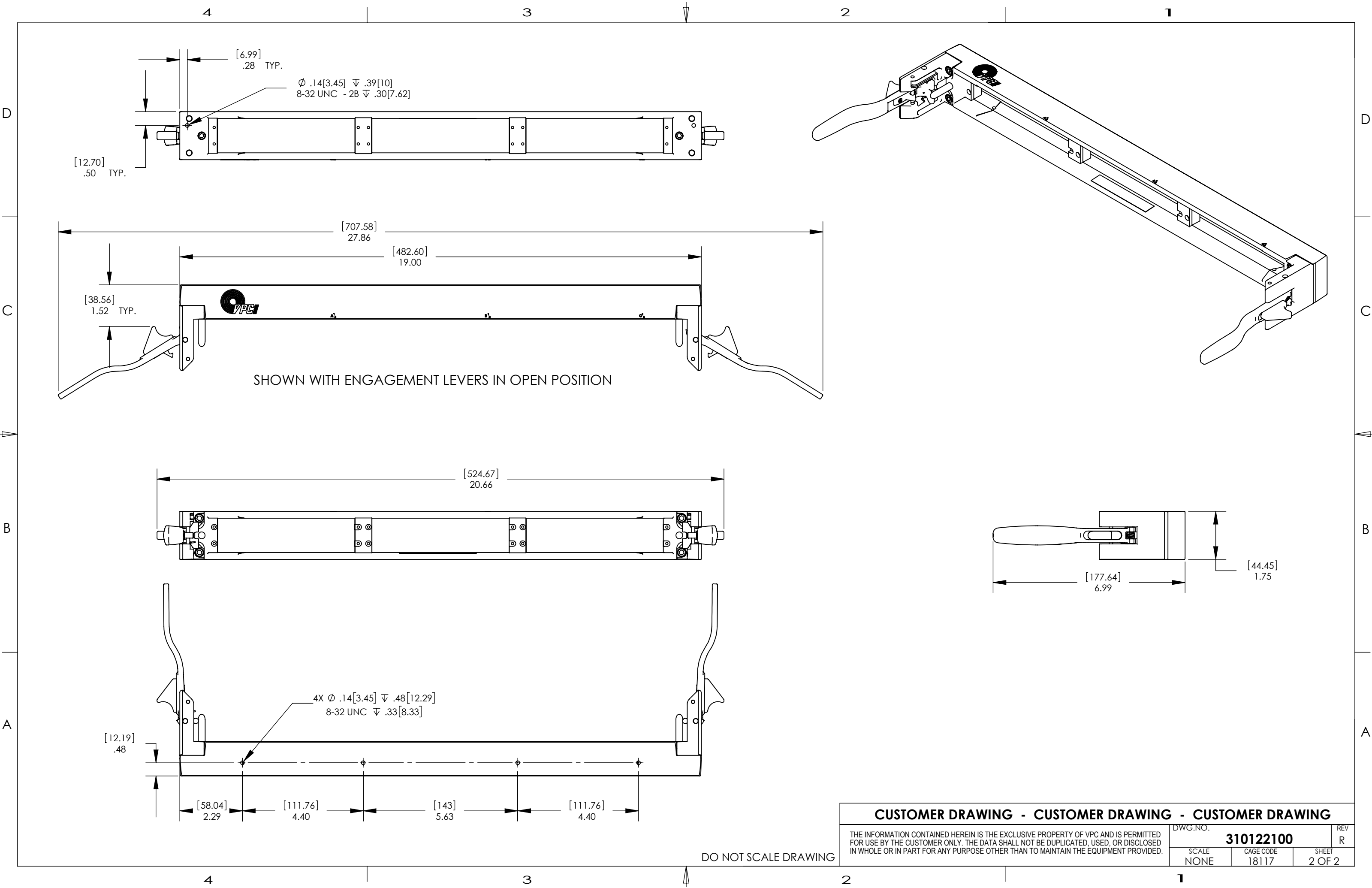
DWG.NO.	REV	
310122100	R	
SCALE	CAGE CODE	SHEET
NONE	18117	1 OF 2

4

3

2

1



CUSTOMER DRAWING - CUSTOMER DRAWING - CUSTOMER DRAWING		
THE INFORMATION CONTAINED HEREIN IS THE EXCLUSIVE PROPERTY OF VPC AND IS PERMITTED FOR USE BY THE CUSTOMER ONLY. THE DATA SHALL NOT BE DUPLICATED, USED, OR DISCLOSED IN WHOLE OR IN PART FOR ANY PURPOSE OTHER THAN TO MAINTAIN THE EQUIPMENT PROVIDED.	DWG.NO. 310122100	REV R
SCALE NONE	CAGE CODE 18117	SHEET 2 OF 2

DO NOT SCALE DRAWING