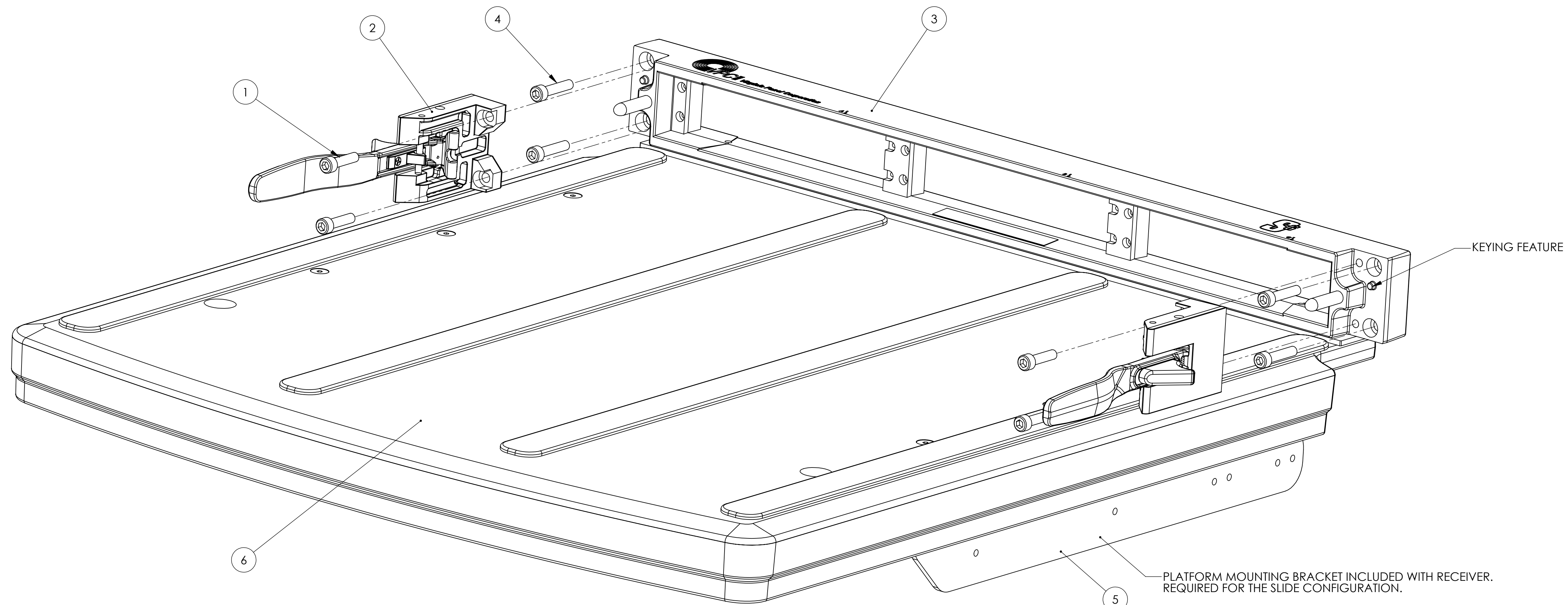


DO NOT SCALE DRAWING

THE INFORMATION CONTAINED HEREIN IS THE EXCLUSIVE PROPERTY OF VIRGINIA PANEL CORPORATION AND IS SUBMITTED FOR USE BY THE CUSTOMER ONLY. THE DATA SHALL NOT BE DUPLICATED, USED OR DISCLOSED IN WHOLE OR IN PART FOR ANY PURPOSE OTHER THAN TO MAINTAIN THE EQUIPMENT PROVIDED. CONSULT WITH VIRGINIA PANEL CORPORATION ENGINEERING IF MORE DETAIL IS REQUIRED.

REVISIONS			
REV	DESCRIPTION	DATE	ENGR
K	ECN #6084	6/23/15	JTD



5. 3/32" BALL END ALLEN WRENCH INCLUDED FOR MODULE MOUNTING.

4. 10-32 SCREWS ARE PROVIDED (QTY 4). CAGE NUTS ARE NOT INCLUDED. M5 SCREWS AND CAGE NUTS MAY REPLACE 10-32 HARDWARE.

3. REMOVE ROTATION BLOCK ASSEMBLIES (ITEM 2) FROM FRAME PRIOR TO SHIPPING.

2. FOR RACK MOUNTING, THE 310122108 ASSEMBLY MUST BE USED IN CONJUNCTION WITH ONE OF THE FOLLOWING SLIDE KITS:

- 310113409
- 310113410
- 310113411
- 310113451
- 310113500

A. AFFECTED COMPONENTS FOR RACK MOUNTING

- ITEM #1: 10-32 x .75 SH CAP SCREW
- ITEM #2: ROTATION BLOCK ASSEMBLY
- ITEM #3: RECEIVER FRAME ASSEMBLY
- ITEM #4: 10-32 x .87 SH CAP SCREW
- ITEM #5: PLATFORM MOUNTING BRACKETS
- ITEM #6: S6 PLATFORM

B. INSTRUCTIONS FOR RACK MOUNTING:

- 1) INSTALL SLIDE KIT (NOT INCLUDED) INTO RACK USING HARDWARE SUPPLIED IN KIT
- 2) INSTALL ITEM #6 TO ITEM #5 USING HARDWARE SUPPLIED WITH THE RECEIVER
- 3) INSTALL ITEM #5 ONTO SLIDES WITH HARDWARE INCLUDED WITH RECEIVER
- 4) USING ITEM #4 SECURE ITEM #3 TO THE RACK (OR OPTIONAL RACK EXTENDER KIT, VPC PART #310113430)
- 5) INSTALL ROTATION BLOCK ASSEMBLIES TO THE RECEIVER FRAME USING ITEM #1. USE CAUTION TO INSURE THAT THEY ARE INSTALLED IN THEIR PROPER LOCATIONS. \*KEYING FEATURES ARE BUILT IN TO FACILITATE THIS

1. FOR APPLICATION USE AND CARE INFORMATION CONSULT VPC USERS GUIDE @ WWW.VPC.COM

NOTES:

**CUSTOMER DRAWING**

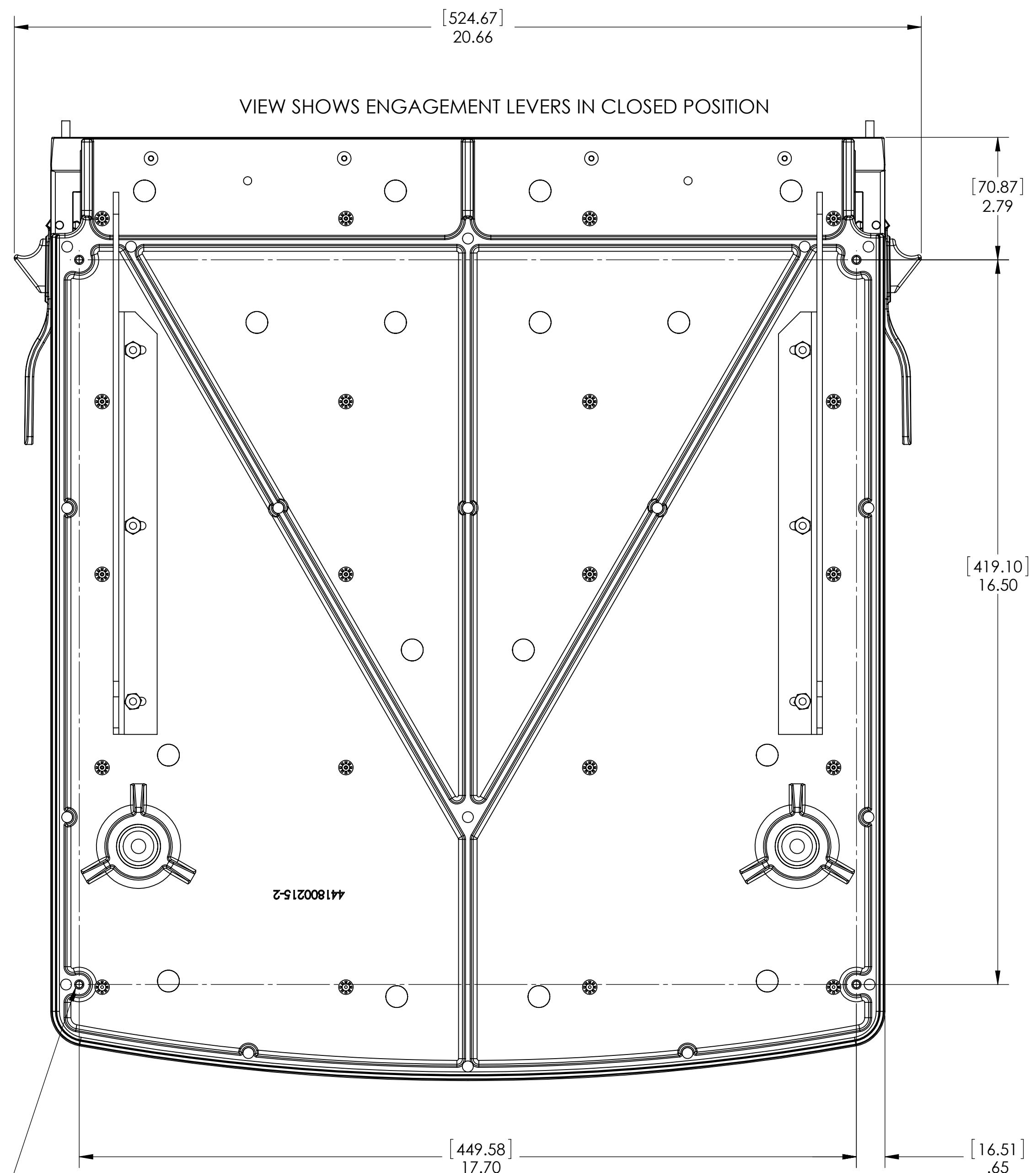
**VIRGINIA PANEL CORPORATION**  
WWW.VPC.COM

**RECEIVER, S6 WITH 20" PLATFORM FOR SLIDE MOUNT**

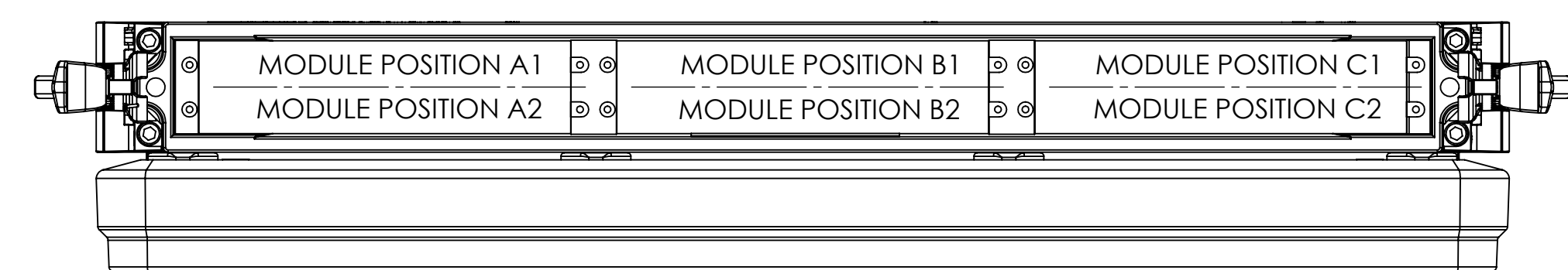
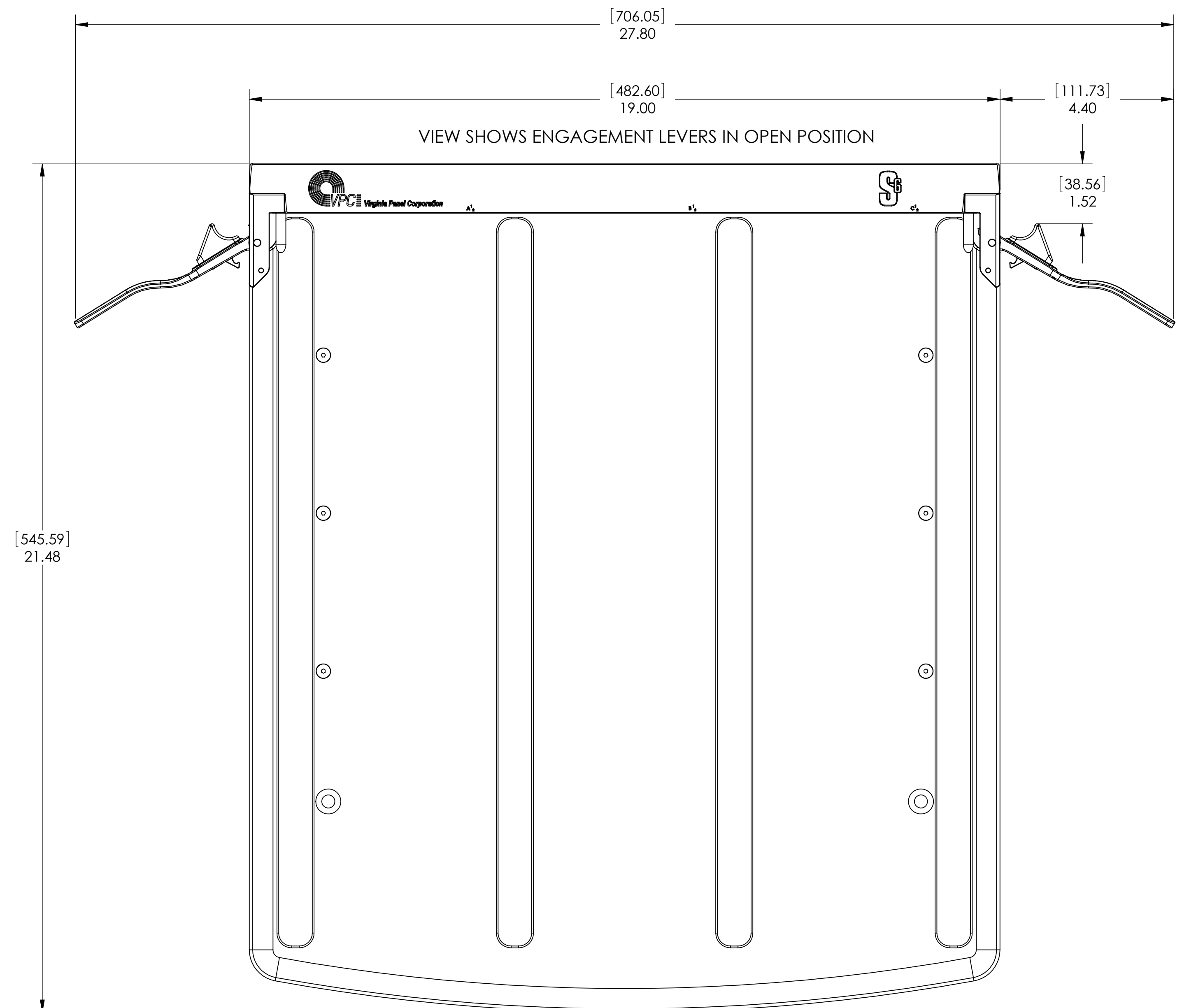
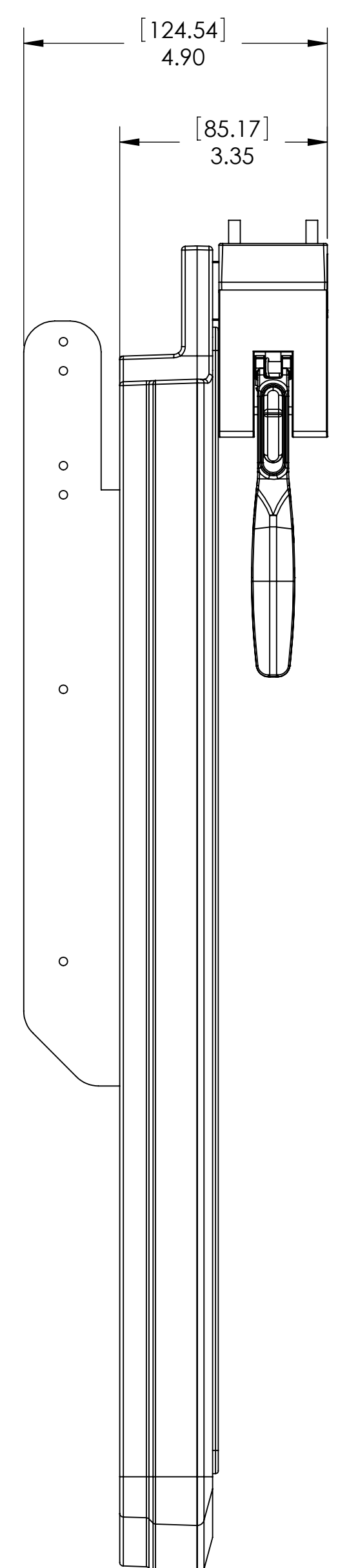
DIMENSIONS ARE SHOWN AS:	SIZE	CAGE CODE	DWG. NO.	REV
[MILLIMETERS]	D	18117	310122108	K
INCHES	SCALE: 1:2	310122108	2/15/08	SHEET 1 OF 2

8 7 6 5 4 3 2 1

D  
C  
B  
A



.250-20UNC HOLES CAN BE USED TO MOUNT TO A HORIZONTAL SURFACE.



D  
C  
B  
A

8 7 6 5 4 3 2 1

CUSTOMER DRAWING - CUSTOMER DRAWING - CUSTOMER DRAWING

THE INFORMATION CONTAINED HEREIN IS THE EXCLUSIVE PROPERTY OF VIRGINIA PANEL CORPORATION AND IS SUBMITTED FOR USE BY THE CUSTOMER ONLY. THE DATA SHALL NOT BE DUPLICATED, USED, OR DISCLOSED IN WHOLE OR IN PART FOR ANY PURPOSE OTHER THAN TO MAINTAIN THE EQUIPMENT PROVIDED.	SIZE D	CAGE CODE 18117	DWG. NO. 310122108	REV K
DO NOT SCALE DRAWING	SCALE: 1:2	310122108	2/15/08	SHEET 2 OF 2