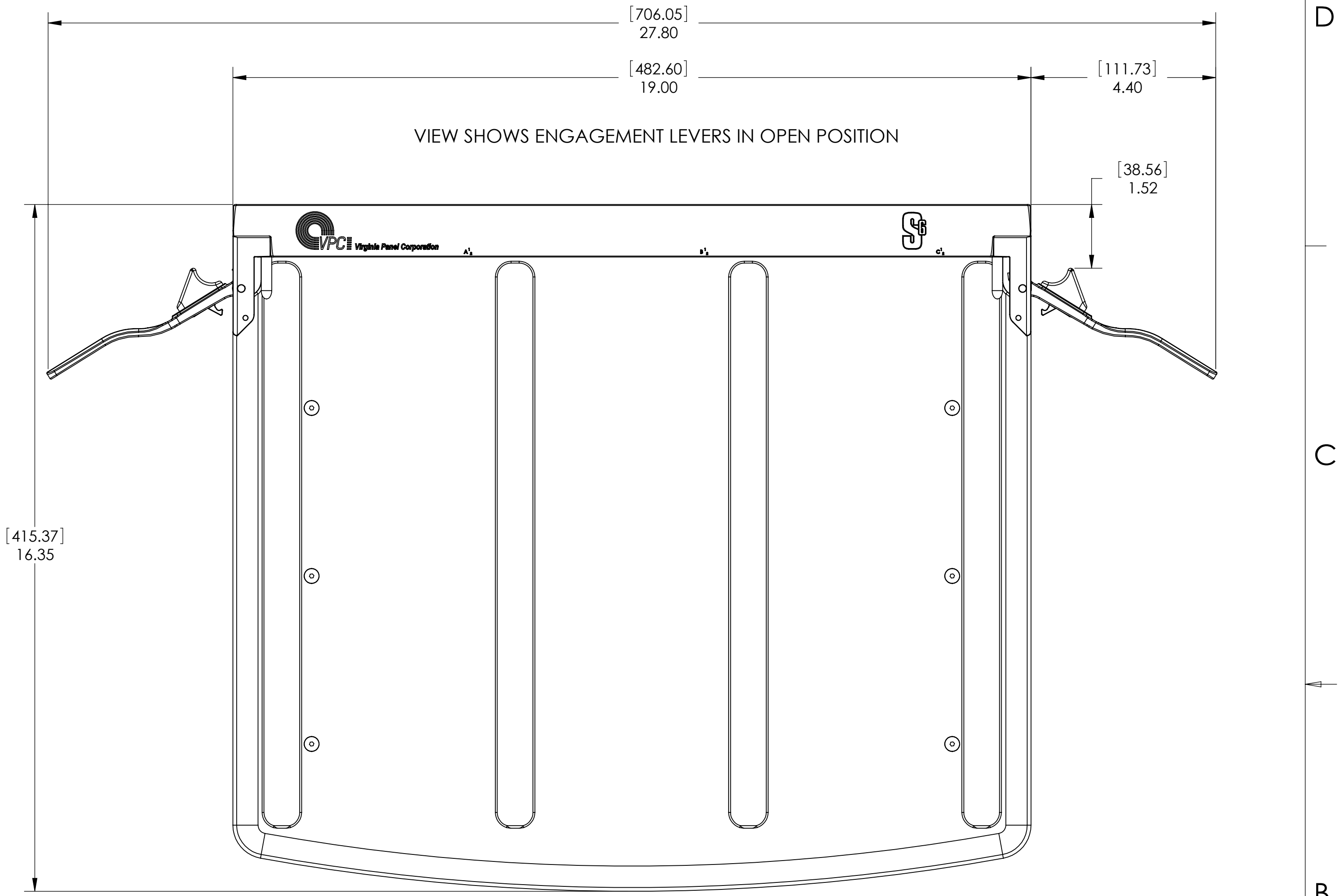
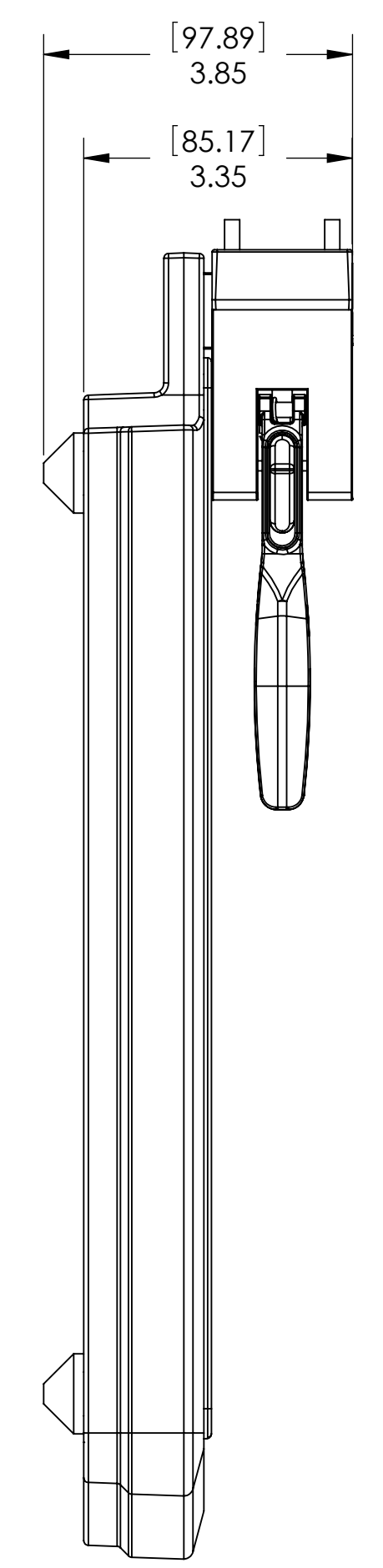
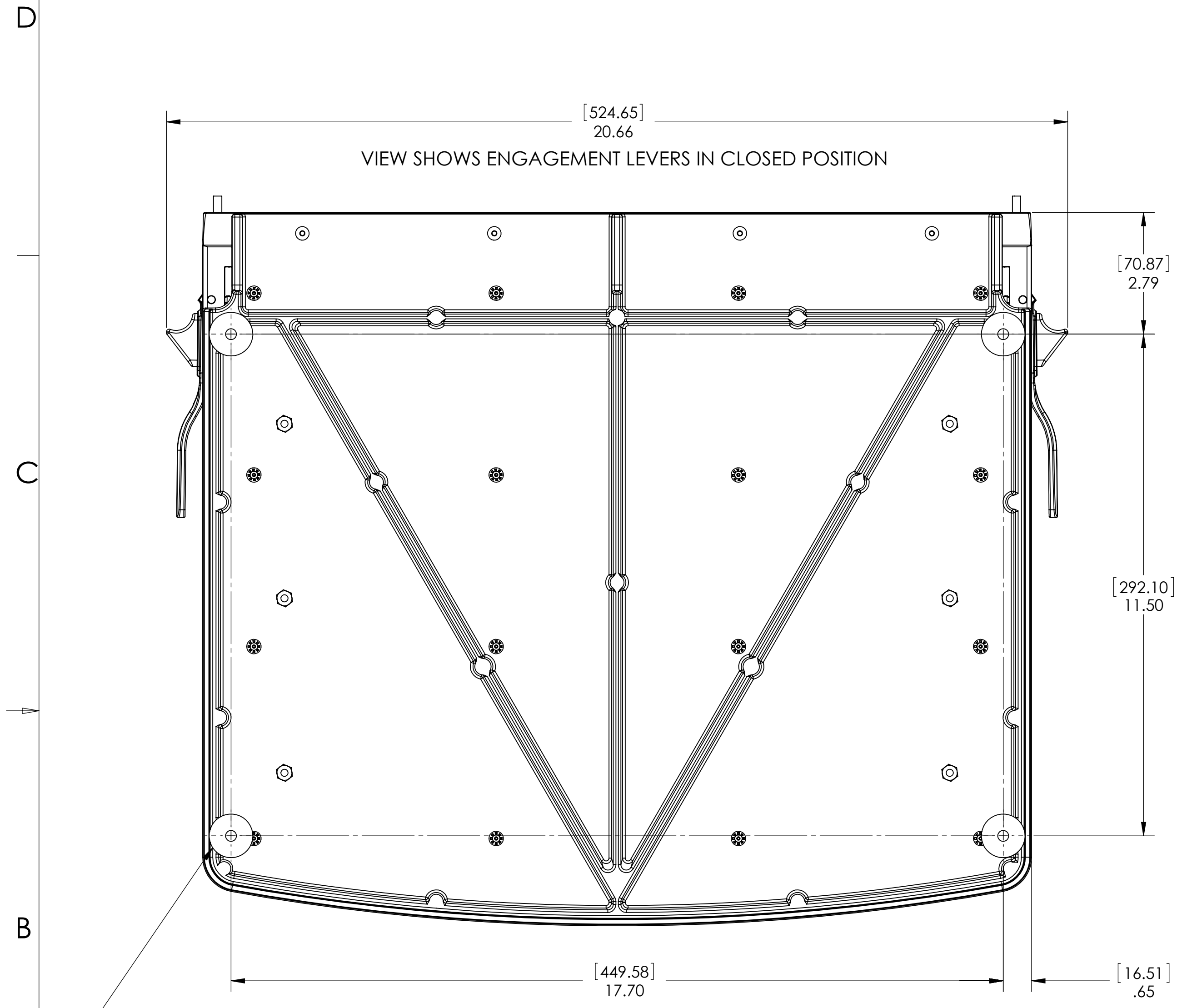


8 7 6 5 4 3 2 1

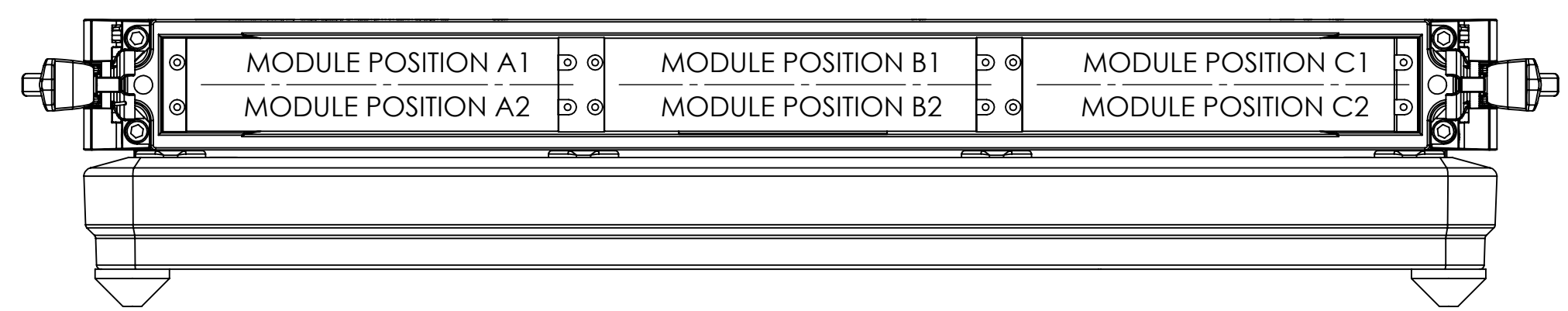
DO NOT SCALE DRAWING

THE INFORMATION CONTAINED HEREIN IS THE EXCLUSIVE PROPERTY OF VIRGINIA PANEL CORPORATION AND IS SUBMITTED FOR USE BY THE CUSTOMER ONLY. THE DATA SHALL NOT BE DUPLICATED, USED OR DISCLOSED IN WHOLE OR IN PART FOR ANY PURPOSE OTHER THAN TO MAINTAIN THE EQUIPMENT PROVIDED. CONSULT WITH VIRGINIA PANEL CORPORATION ENGINEERING IF MORE DETAIL IS REQUIRED.

REVISIONS			
REV	DESCRIPTION	DATE	ENGR
D	ECN #6084	6/23/15	JTD



RUBBER FEET ARE REMOVABLE
 .250-20UNC HOLES CAN BE
 USED TO MOUNT TO A HORIZONTAL
 SURFACE.



2. 3/23" BALL END ALLEN WRENCH INCLUDED FOR MODULE MOUNTING.

1. FOR APPLICATION USE AND CARE INFORMATION CONSULT VPC USERS GUIDE @ WWW.VPC.COM

NOTES:

RELATIVE CONNECTOR POSITIONS AND WIRE ROUTING ARE GENERIC AND MAY VARY WITH PROFIT.			
DIMENSIONS ARE SHOWN AS:			
[MILLIMETERS]	SIZE	CAGE CODE	DWG. NO.
INCHES	D	18117	310122110
SCALE: 1:2	310122110	3/10/11	SHEET 1 OF 1

CUSTOMER DRAWING
VIRGINIA PANEL CORPORATION
 WWW.VPC.COM
RCV, S6 TABLE TOP WITH 15" PLATFORM

8 7 6 5 4 3 2 1