

8 7 6 5 4 3 2 1

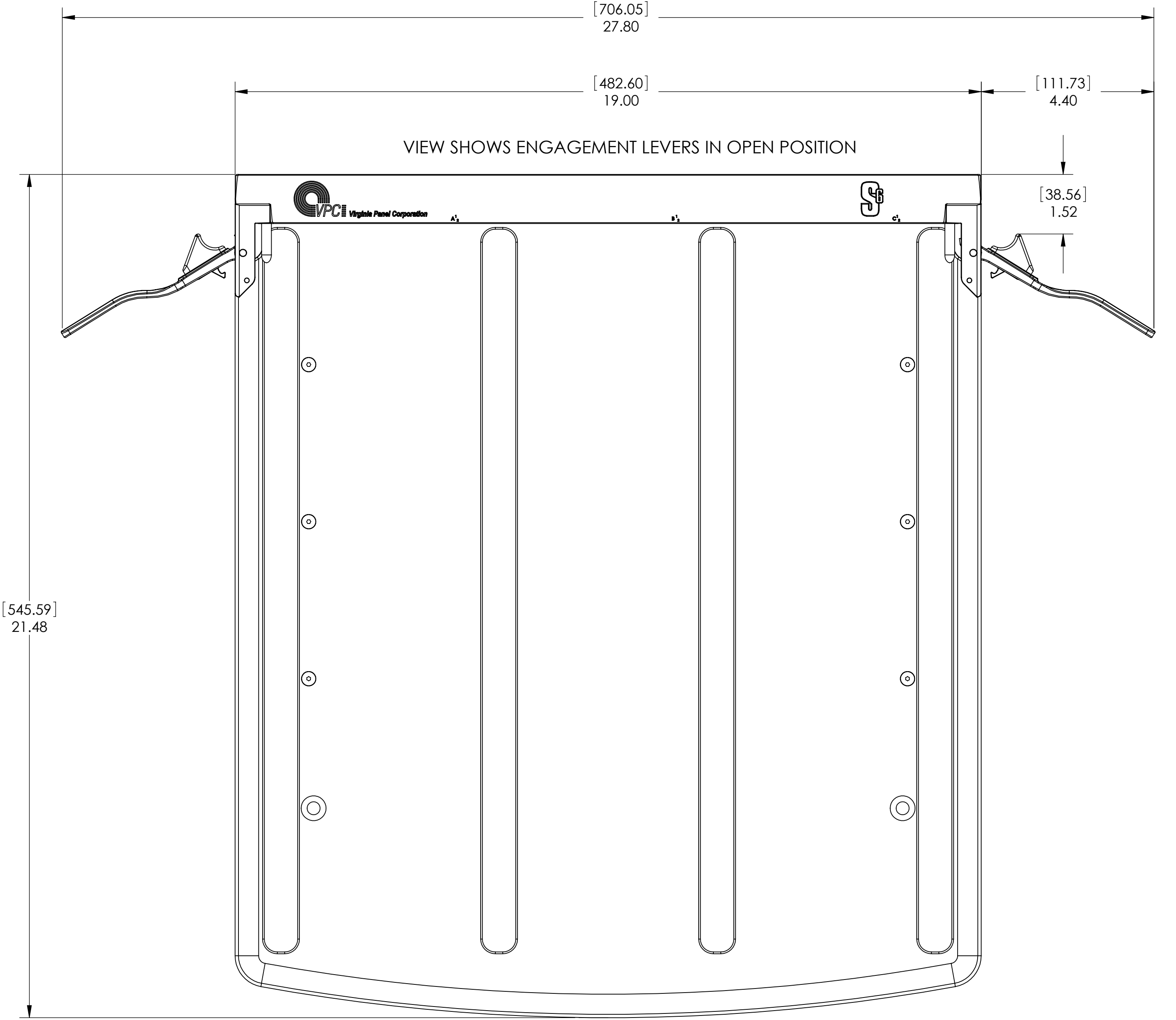
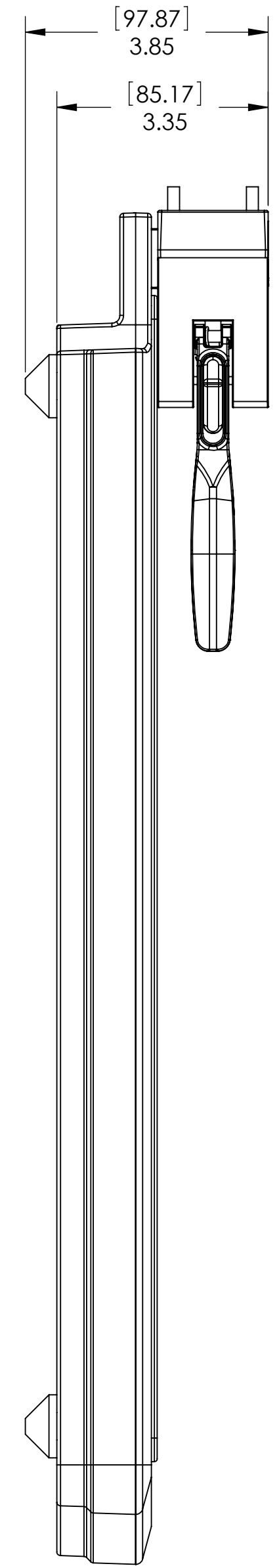
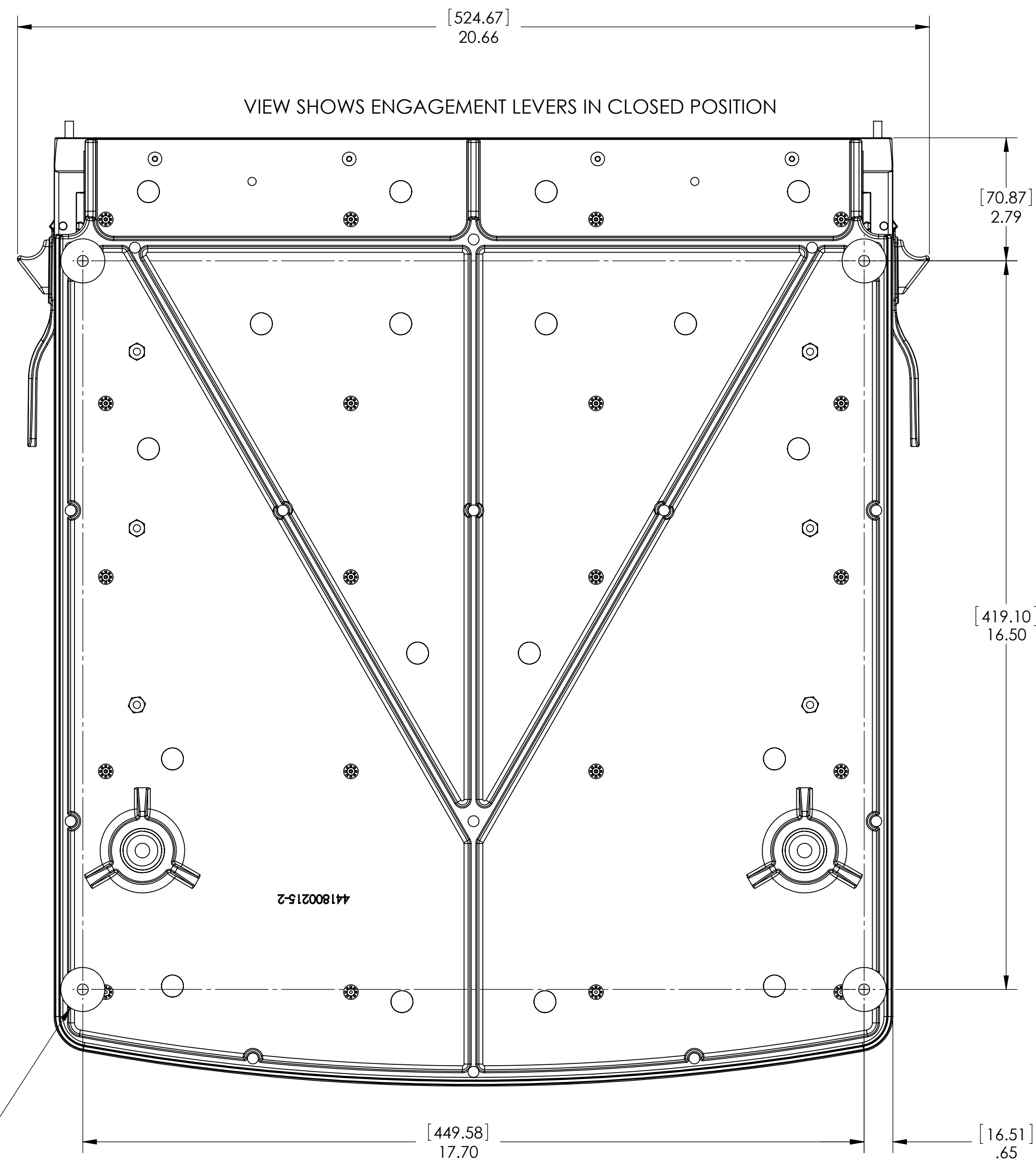
DO NOT SCALE DRAWING

THE INFORMATION CONTAINED HEREIN IS THE EXCLUSIVE PROPERTY OF VIRGINIA PANEL CORPORATION AND IS SUBMITTED FOR USE BY THE CUSTOMER ONLY. THE DATA SHALL NOT BE DUPLICATED, USED OR DISCLOSED IN WHOLE OR IN PART FOR ANY PURPOSE OTHER THAN TO MAINTAIN THE EQUIPMENT PROVIDED. CONSULT WITH VIRGINIA PANEL CORPORATION ENGINEERING IF MORE DETAIL IS REQUIRED.

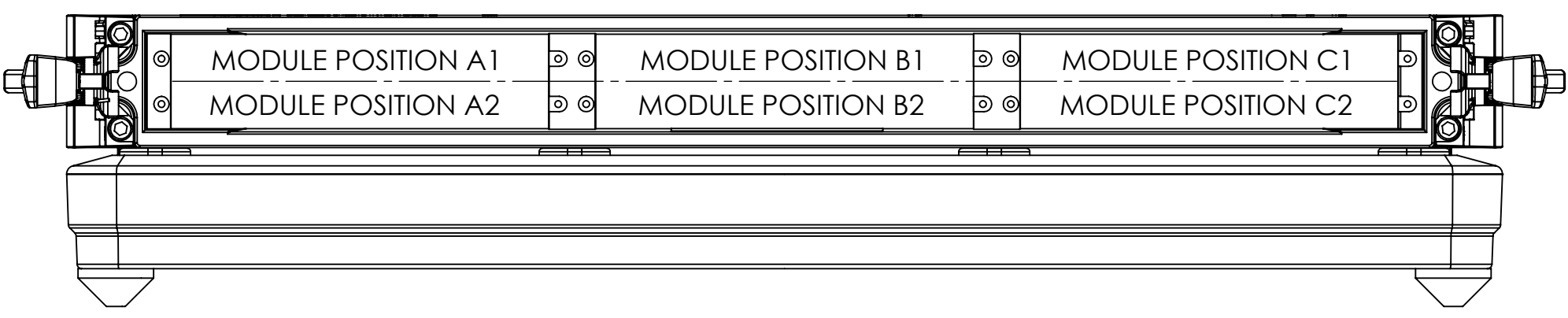
REVISIONS			
REV	DESCRIPTION	DATE	ENGR
E	ECN #6084	6/23/15	JTD

D
C
B
A

D
C
B
A



RUBBER FEET ARE REMOVABLE
250-20UNC HOLES CAN BE
USED TO MOUNT TO A HORIZONTAL
SURFACE.



2. 3/32" ALLEN WRENCH INCLUDED FOR MODULE MOUNTING.

NOTES:
1. FOR APPLICATION USE AND CARE INFORMATION CONSULT VPC USERS GUIDE @ WWW.VPC.COM

CUSTOMER DRAWING			
VIRGINIA PANEL CORPORATION WWW.VPC.COM			
RECEIVER, S6 TABLE TOP WITH 20" PLATFORM			
RELATIVE CONNECTOR POSITIONS AND WIRE ROUTING ARE GENERIC AND MAY VARY WITH PRODUCT.	SIZE: D	CAGE CODE: 18117	DWG. NO.: 310122111
DIMENSIONS ARE SHOWN AS: [MILLIMETERS] INCHES	SCALE: 1:2	310122111	3/10/11 SHEET 1 OF 1

8 7 6 5 4 3 2 1