

4

3

2

1

DO NOT SCALE DRAWING

THE INFORMATION CONTAINED HEREIN IS THE EXCLUSIVE PROPERTY OF VIRGINIA PANEL CORPORATION AND IS SUBMITTED FOR USE BY THE CUSTOMER ONLY. THE DATA SHALL NOT BE DUPLICATED, USED, OR DISCLOSED IN WHOLE OR IN PART FOR ANY PURPOSE OTHER THAN TO MAINTAIN THE EQUIPMENT PROVIDED. CONSULT WITH VIRGINIA PANEL CORPORATION ENGINEERING IF MORE DETAIL IS REQUIRED.

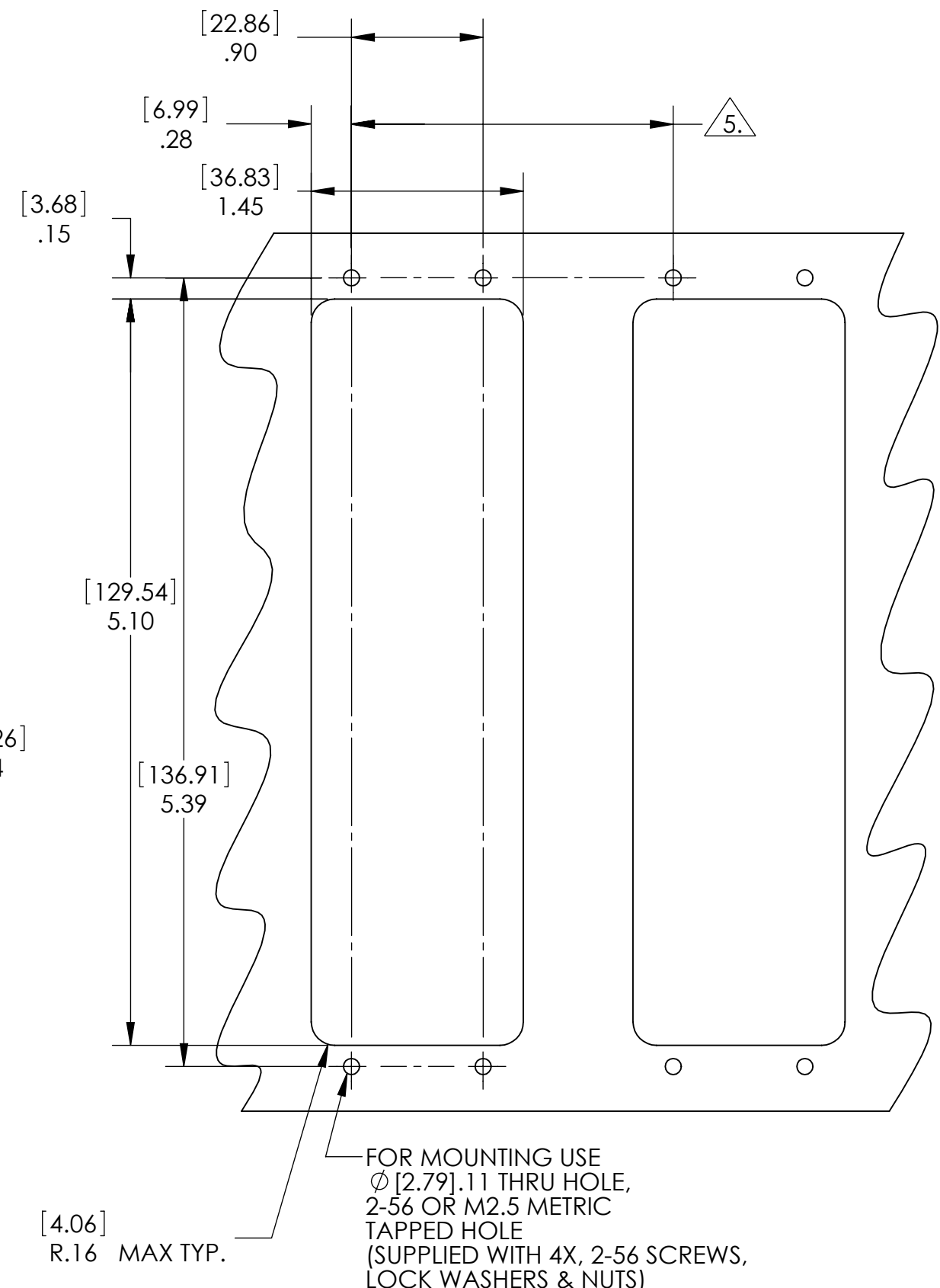
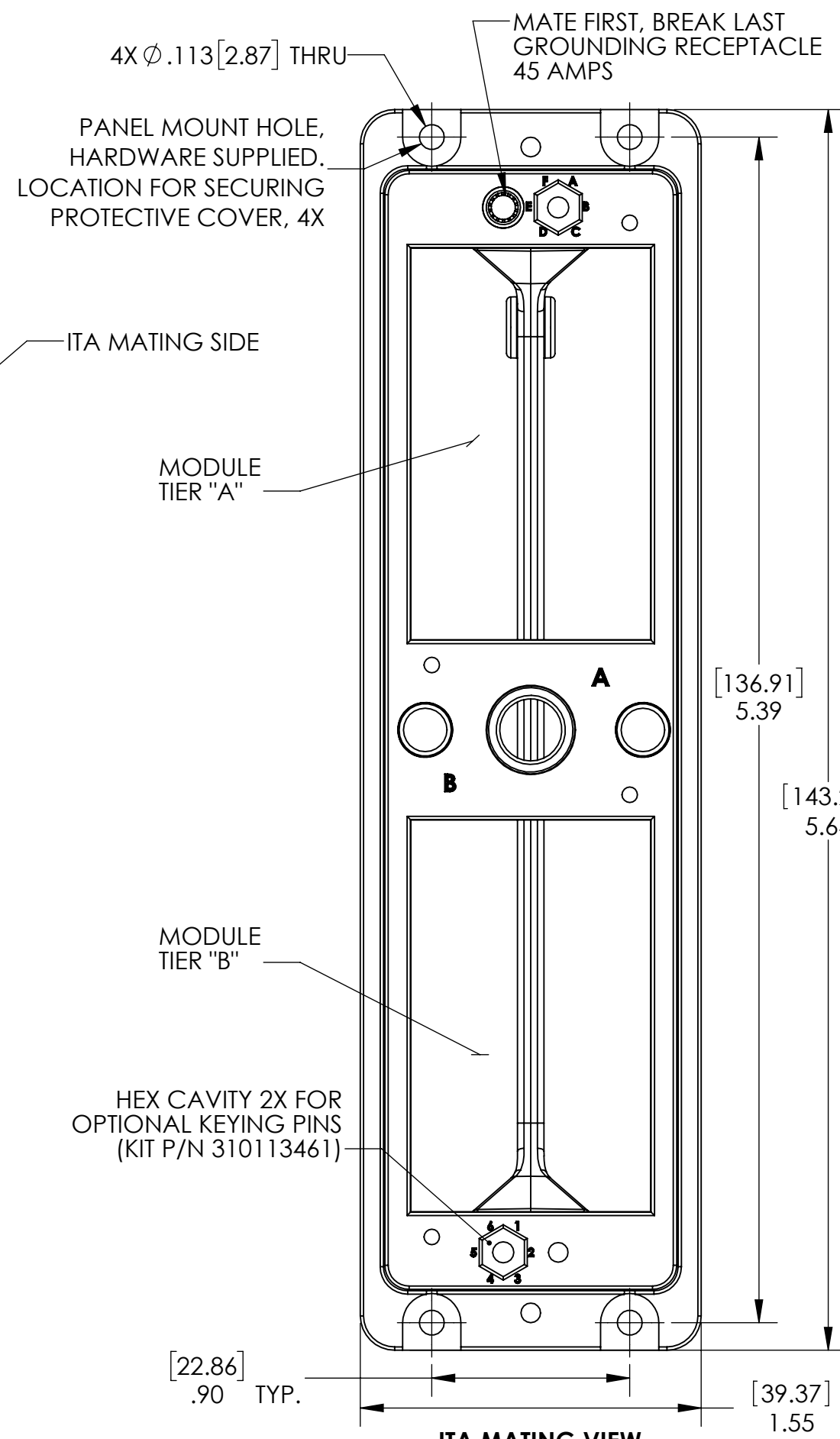
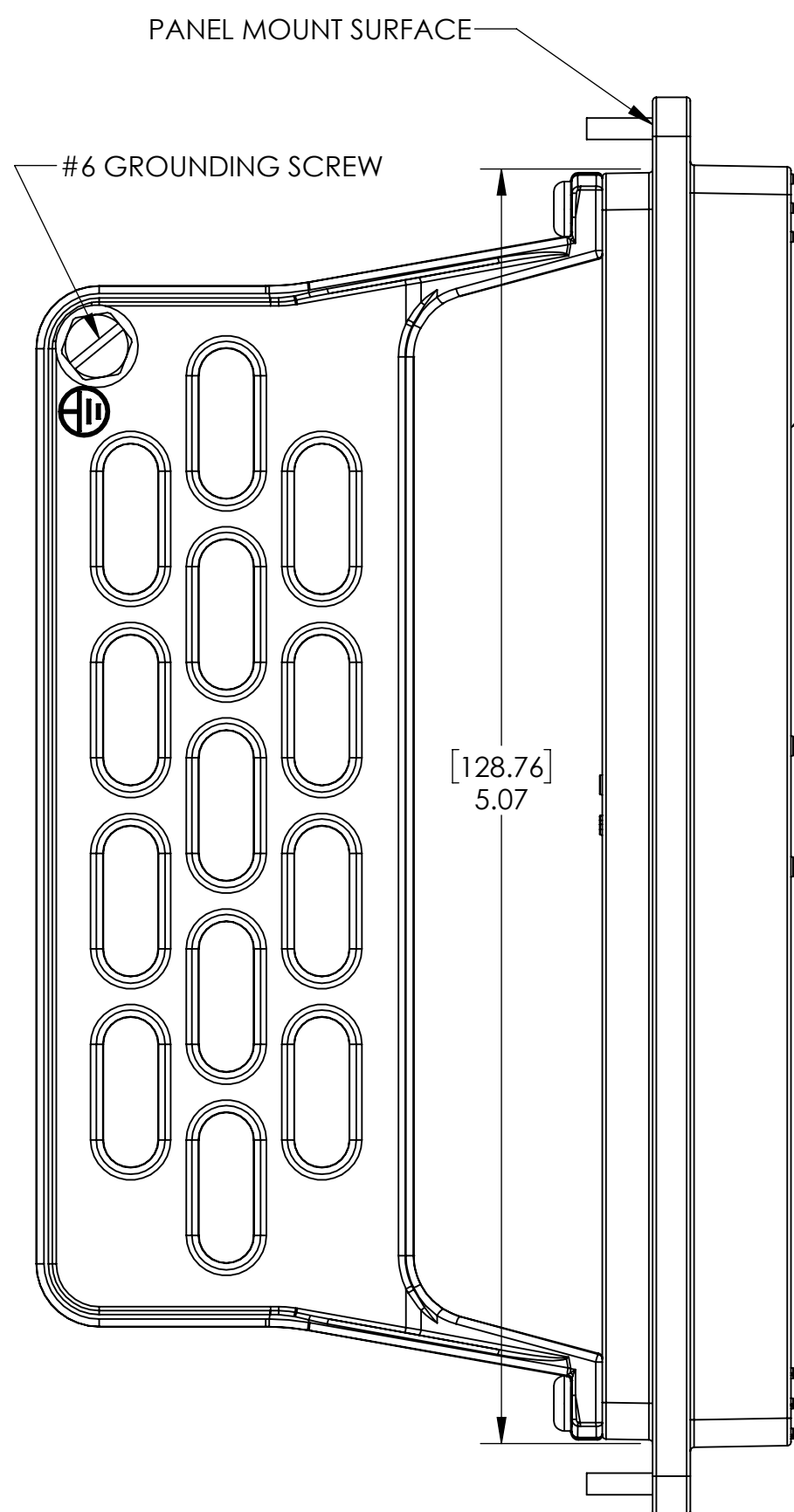
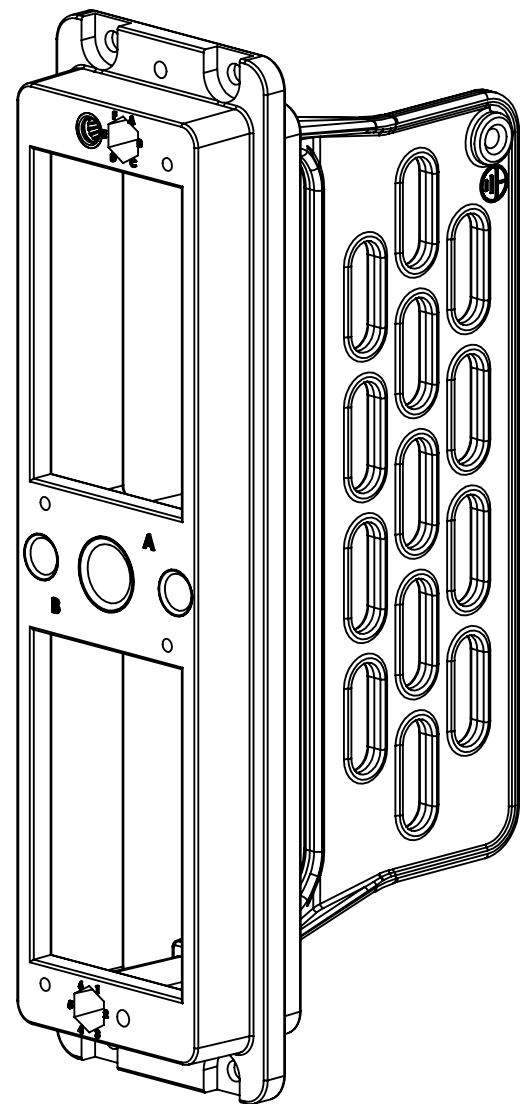
REVISIONS			
REV	DESCRIPTION	DATE	ENGR
J	ECN #7013	9/1/16	R HERRON

D

C

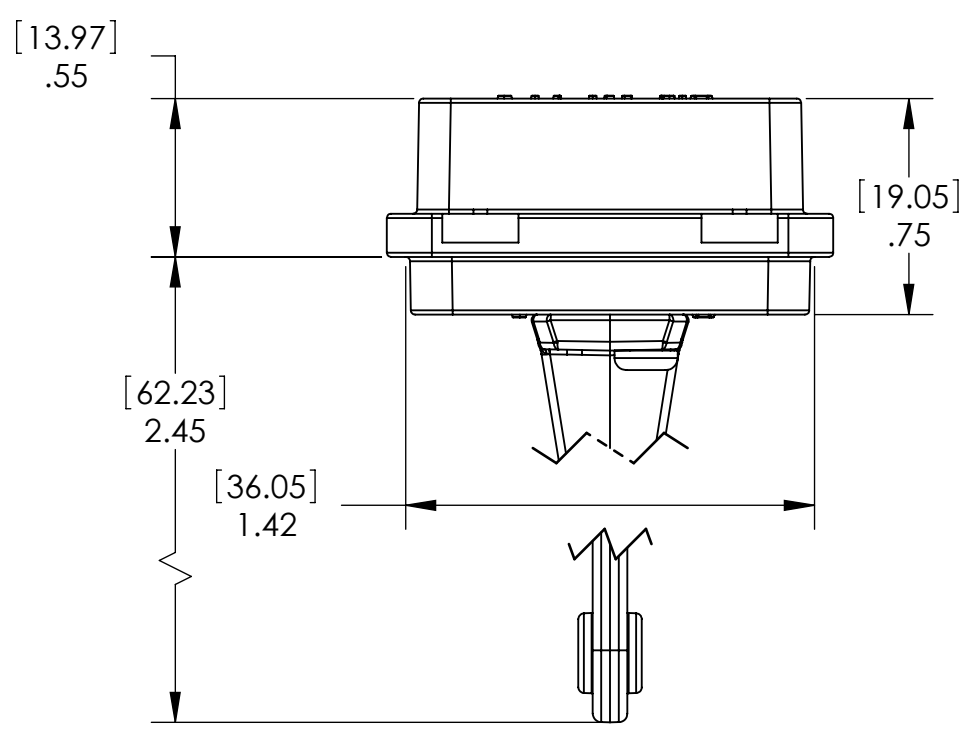
B

A



RECOMMENDED PANEL CUTOUT

TOLERANCES ARE:
.XX = ±.01 [.25]
.XXX = ±.005 [.13]
UNLESS OTHERWISE SPECIFIED



5 SEE TABLE 1 IN SECTION 3-1 OF THE USER'S MANUAL FOR MINIMUM DISTANCE OF SUBSEQUENT SIDE BY SIDE CUTOUTS.

- 4. PROTECTIVE COVER INCLUDED WITH ASSEMBLY (NOT SHOWN)
- 3. MOUNTING HARDWARE SHIPPED LOOSE IN BAG
- 2. MATERIALS:
FRAME: ALUMINUM ALLOY - NI PLATED
HARDWARE - STAINLESS STEEL ALLOY
PROTECTIVE COVER - BLACK THERMOPLASTIC
STRAIN RELIEF - ALUMINUM ALLOY - POWDER COATED
- 1. FOR APPLICATION USE & CARE INFORMATION CONSULT VPC USERS GUIDE @WWW.VPC.COM

NOTES:

CUSTOMER DRAWING			
VIRGINIA PANEL CORPORATION WWW.VPC.COM			
RECIEVER, ICON EMI			
DIMENSIONS ARE SHOWN AS:	SIZE	CAGE CODE	DWG. NO.
[MILLIMETERS]	C	18117	310123102
[INCHES]	SCALE: 1:1	310123102	1/22/08 SHEET 1 OF 1

4

3

2

1

D

C

B

A