

4

3

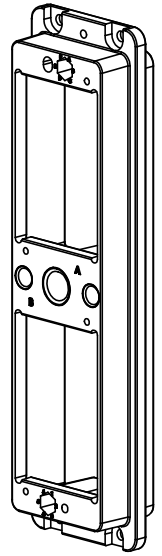
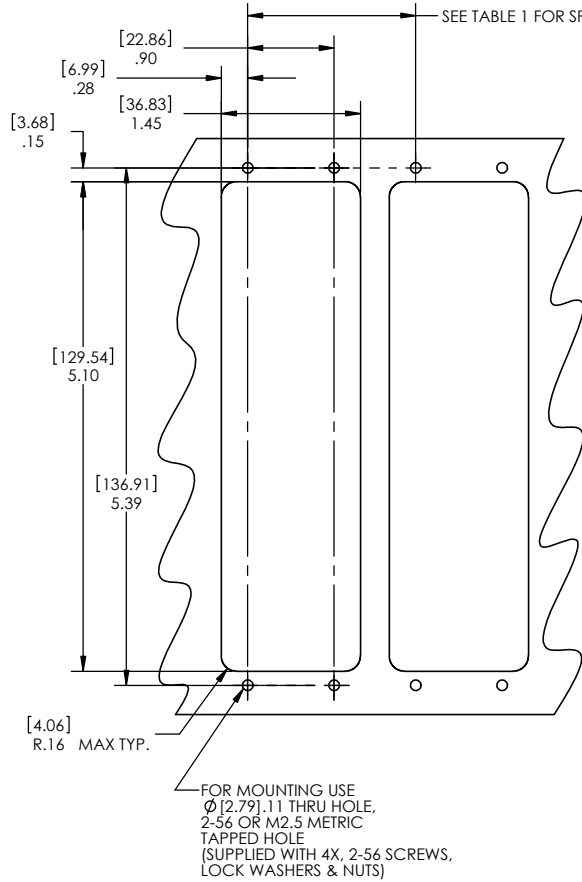
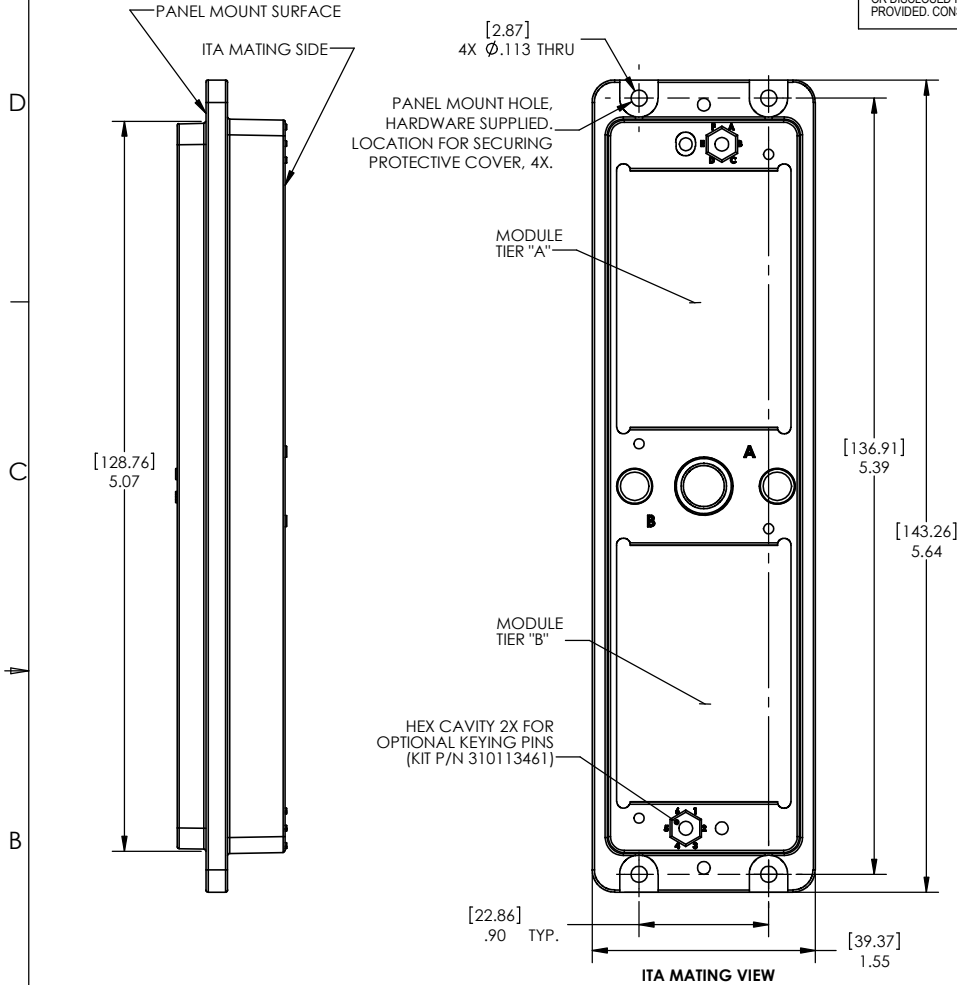
2

1

DO NOT SCALE DRAWING

THE INFORMATION CONTAINED HEREIN IS THE EXCLUSIVE PROPERTY OF VIRGINIA PANEL CORPORATION AND IS SUBMITTED FOR USE BY THE CUSTOMER ONLY. THE DATA SHALL NOT BE DUPLICATED, USED, OR DISCLOSED IN WHOLE OR IN PART FOR ANY PURPOSE OTHER THAN TO MAINTAIN THE EQUIPMENT PROVIDED. CONSULT WITH VIRGINIA PANEL CORPORATION ENGINEERING IF MORE DETAIL IS REQUIRED.

REVISIONS			
REV	DESCRIPTION	DATE	ENGR
L	ECN #14243	6/4/24	M SALE



RECOMMENDED PANEL CUTOUT

TOLERANCES ARE:
.XX = ±.01 [.25]
.XXX = ±.005 [.13]
UNLESS OTHERWISE SPECIFIED

- 4. PROTECTIVE COVER INCLUDED WITH ASSEMBLY (NOT SHOWN)
- 3. MOUNTING HARDWARE SHIPPED LOOSE IN BAG
- 2. MATERIALS:
FRAME - ALUMINUM ALLOY - Ni PLATED
HARDWARE - STAINLESS STEEL ALLOY
PROTECTIVE COVER - BLACK THERMOPLASTIC
- 1. FOR APPLICATION USE & CARE INFORMATION CONSULT VPC USERS GUIDE @WWW.VPC.COM

MATING ITA PART NUMBER	DESCRIPTION	RECOMMENDED RECEIVER CUTOUT SPACING	MINIMUM RECEIVER CUTOUT SPACING
410123101	ITA, iCon 2 MOD	2.20 [55.88]	1.75 [44.45]
410123232	ITA, iCon XL EMI, 2 MOD	2.20 [55.88]	2.20 [55.88]

CUSTOMER DRAWING			
VIRGINIA PANEL CORPORATION WWW.VPC.COM			
RECEIVER, ICON REVERSE MODULE			
DIMENSIONS ARE SHOWN AS:	SIZE	CAGE CODE	DWG. NO.
[MILLIMETERS]	C	18117	310123103
INCHES	L		
SCALE: 1:1	310123103	2/12/07	SHEET 1 OF 1

4

3

2

1