

4

3

2

1

DO NOT SCALE DRAWING

THE INFORMATION CONTAINED HEREIN IS THE EXCLUSIVE PROPERTY OF VPC AND IS PERMITTED FOR USE BY THE CUSTOMER ONLY. THE DATA SHALL NOT BE DUPLICATED, USED, OR DISCLOSED IN WHOLE OR IN PART FOR ANY PURPOSE OTHER THAN TO MAINTAIN THE EQUIPMENT PROVIDED. CONSULT WITH VPC ENGINEERING IF MORE DETAIL IS REQUIRED.

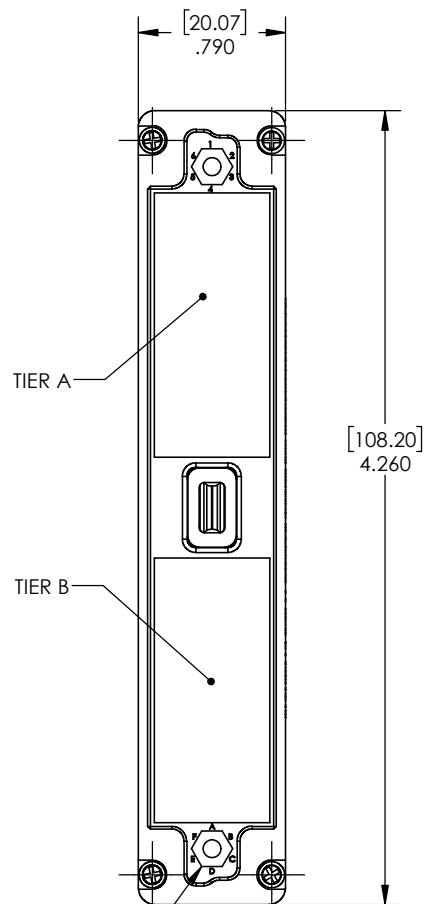
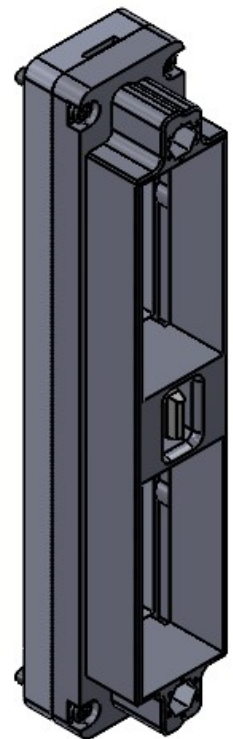
REVISIONS			
REV	DESCRIPTION	DATE	ENGR
G	ECN #14238	5/31/24	M SALE

D

C

B

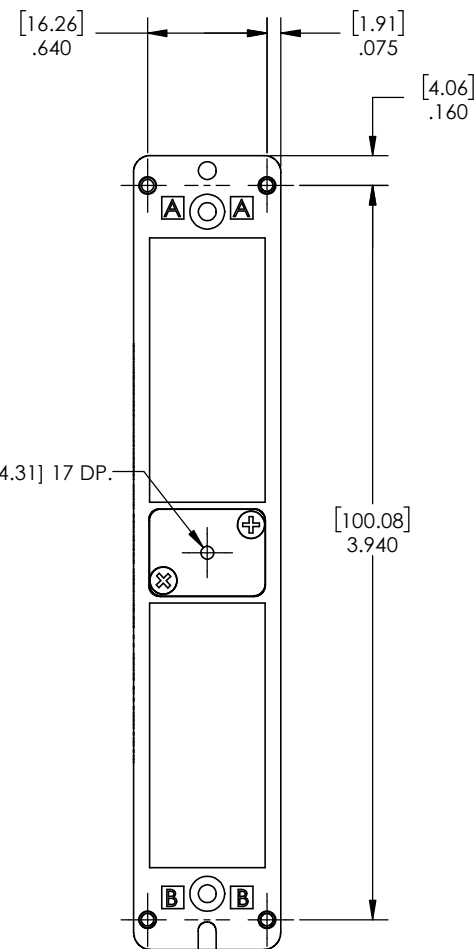
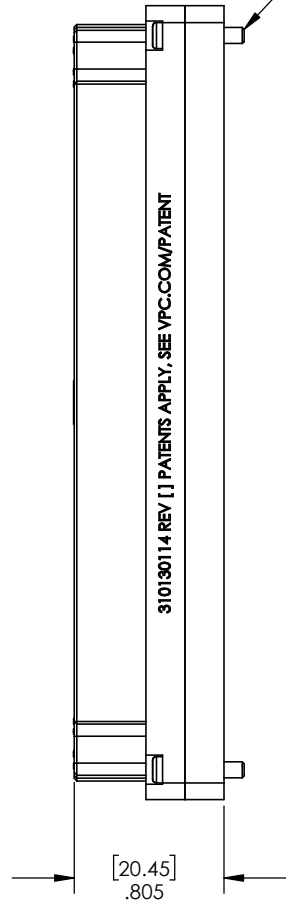
A



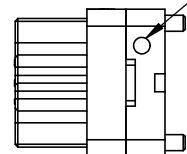
CAVITY FOR KEYING KIT, TYP 2 PLCS. ACCESSORY P/N 310113461 (2 KEYS PER KIT) NOT INCLUDED WITH RECEIVER

2-56 CAPTIVE MOUNTING SCREWS SUPPLIED

#2-56 UNC - 2B - 2B x [4.31] 17 DP.



ATTACHMENT POINT FOR PROTECTIVE COVER (NOT INCLUDED WITH RCV ASSEMBLY)



2. MATERIALS
 FRAME: NI PLATED ZINC
 ALL HARDWARE: STAINLESS STEEL
 1. FOR MORE INFORMATION, VISIT VPC.COM.
 NOTES:

CUSTOMER DRAWING

VIRGINIA PANEL CORPORATION
WWW.VPC.COM

RCV i2 MX EMI MODULAR ASSEMBLY

DIMENSIONS ARE SHOWN AS:	SIZE	CAGE CODE	DWG. NO.	REV
[MILLIMETERS]	C	18117	310130114	G
INCHES	SCALE: NONE	310130114	8/28/14	SHEET 1 OF 2

4

3

2

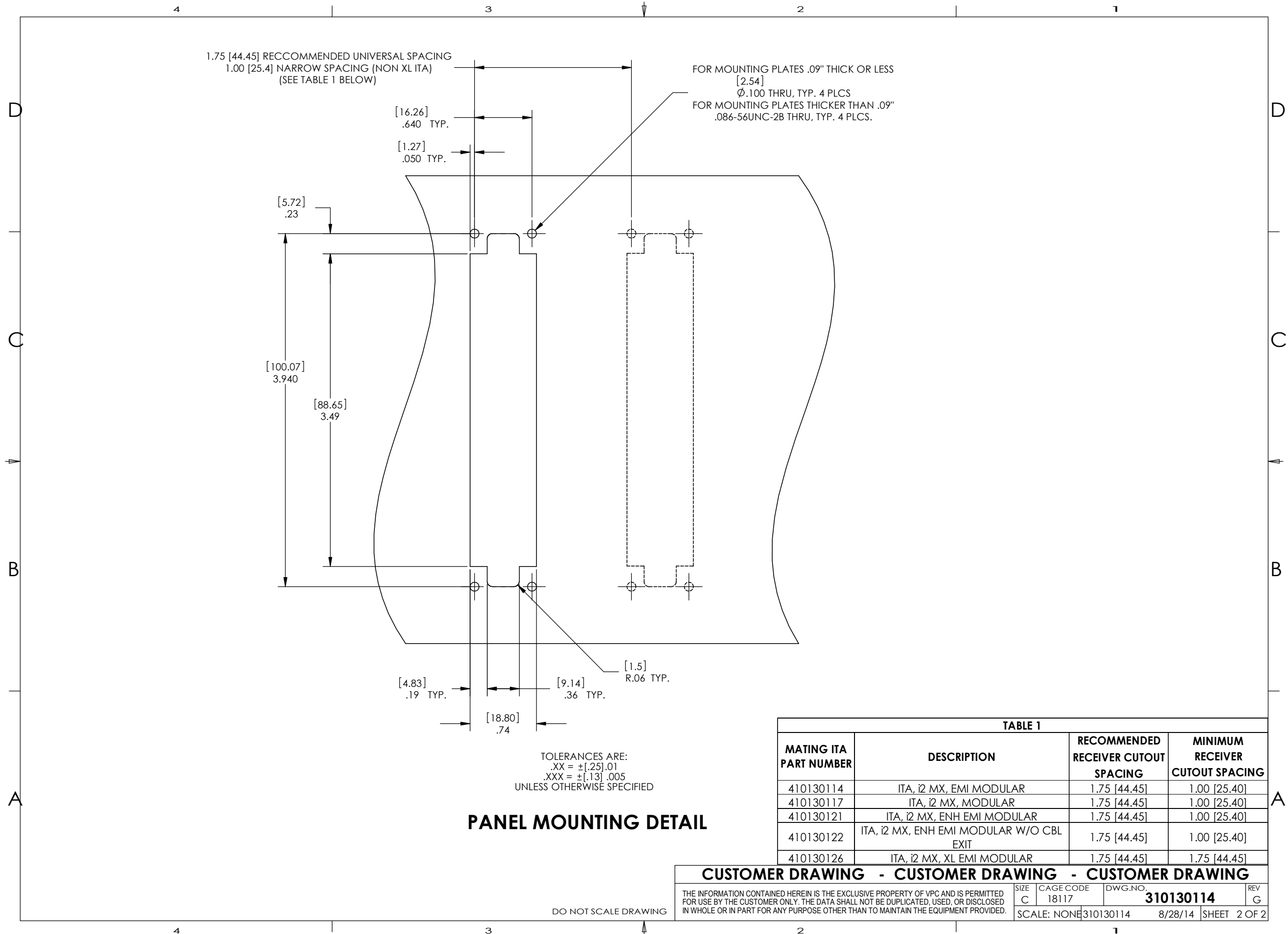
1

D

C

B

A



CUSTOMER DRAWING - CUSTOMER DRAWING - CUSTOMER DRAWING

THE INFORMATION CONTAINED HEREIN IS THE EXCLUSIVE PROPERTY OF VPC AND IS PERMITTED FOR USE BY THE CUSTOMER ONLY. THE DATA SHALL NOT BE DUPLICATED, USED, OR DISCLOSED IN WHOLE OR IN PART FOR ANY PURPOSE OTHER THAN TO MAINTAIN THE EQUIPMENT PROVIDED.	SIZE C	CAGE CODE 18117	DWG.NO. 310130114	REV G
SCALE: NONE		310130114	8/28/14	SHEET 2 OF 2