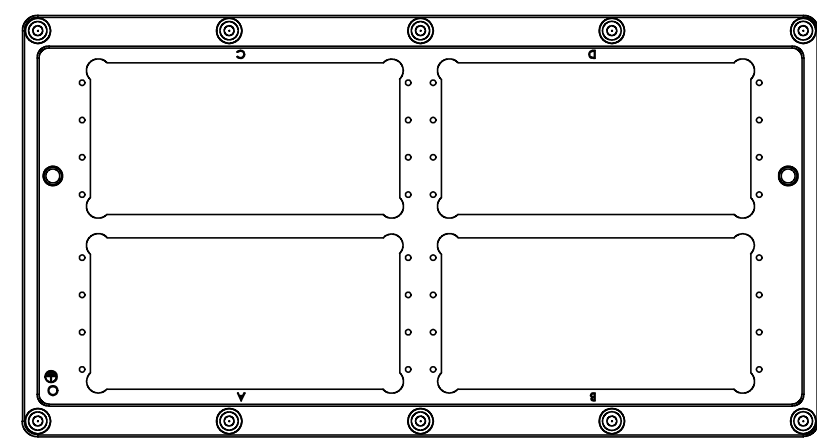
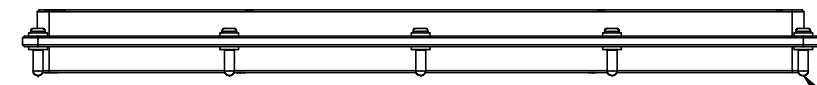
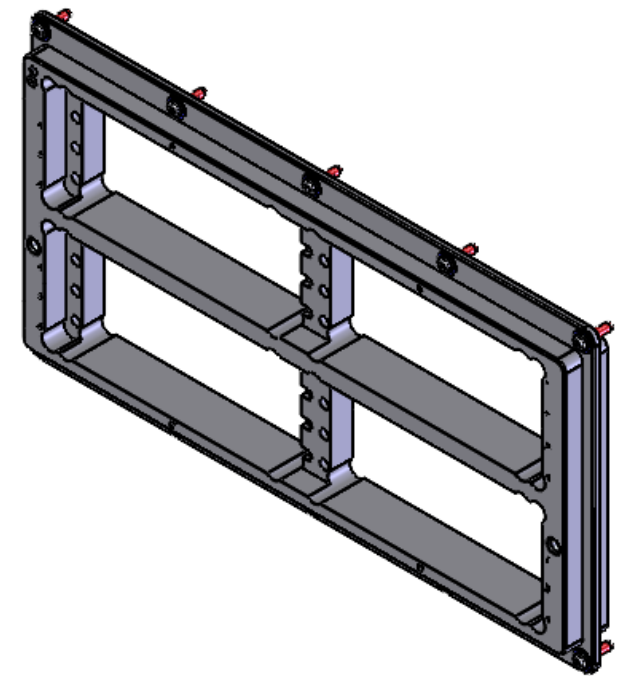
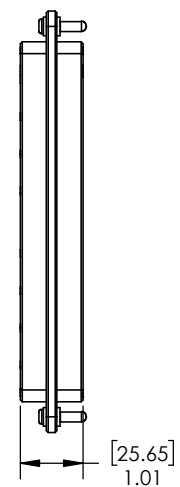
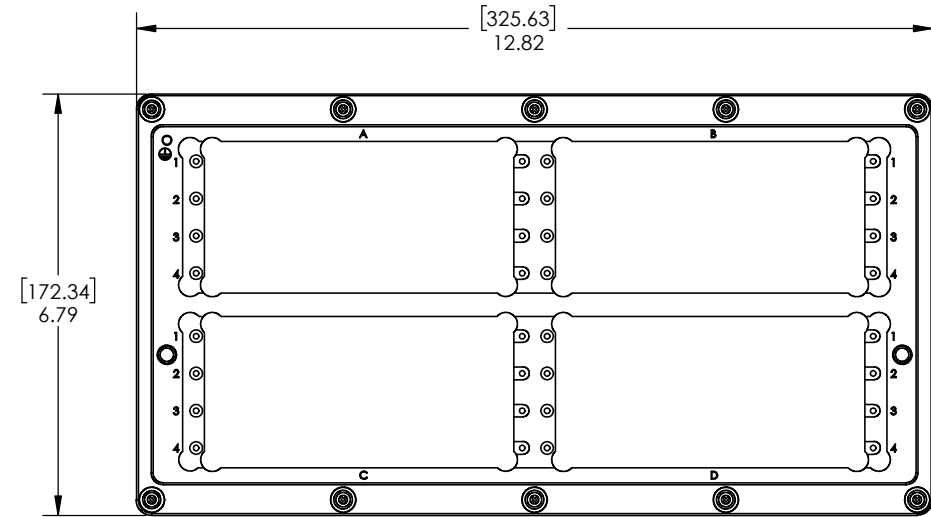


4 3 2 1

DO NOT SCALE DRAWING

THE INFORMATION CONTAINED HEREIN IS THE EXCLUSIVE PROPERTY OF VIRGINIA PANEL CORPORATION AND IS SUBMITTED FOR USE BY THE CUSTOMER ONLY. THE DATA SHALL NOT BE DUPLICATED, USED, OR DISCLOSED IN WHOLE OR IN PART FOR ANY PURPOSE OTHER THAN TO MAINTAIN THE EQUIPMENT PROVIDED. CONSULT WITH VIRGINIA PANEL CORPORATION ENGINEERING IF MORE DETAIL IS REQUIRED.

REVISIONS			
REV	DESCRIPTION	DATE	ENGR
B	ECN #13694	9/25/23	R GARMAN



3. MATERIALS  
 FRAME - Ni PLATED ALUMINUM  
 HARDWARE - STAINLESS STEEL  
 WASHERS - NYLON

△ REMOVE RETAINING CAPS AND DISCARD  
 1. FOR APPLICATION USE & CARE INFORMATION CONSULT VPC USERS GUIDE @WWW.VPC.COM

NOTES:

**CUSTOMER DRAWING**  
**VIRGINIA PANEL CORPORATION**  
 WWW.VPC.COM  
**RCV, 16 POS DOCKING**

RELATIVE CONNECTOR POSITIONS AND WIRE ROUTING ARE GENERIC AND MAY VARY WITH PRODUCT  
 DIMENSIONS ARE SHOWN AS:  
 [MILLIMETERS]  
 INCHES

SIZE	CAGE CODE	DWG. NO.	REV
C	18117	310131111	B
SCALE: 1:2	310131111	7/27/23	SHEET 1 OF 2

4 3 2 1

DO NOT SCALE DRAWING

[32.77]  
1.290  
MIN DISTANCE  
AT FULL ENGAGEMENT

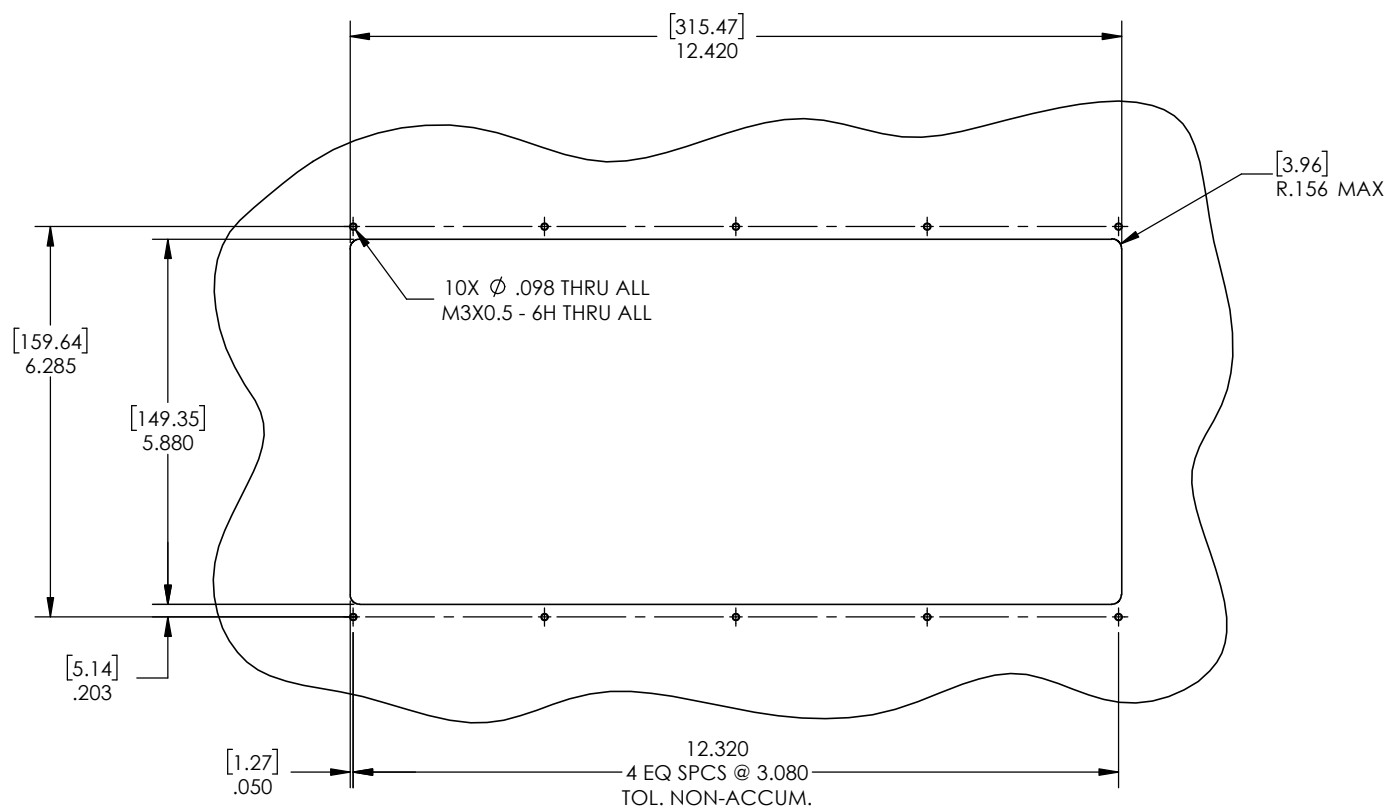
[33.53]  
1.320  
MAX DISTANCE  
AT FULL ENGAGEMENT

[54.86]  
2.160  
UNMATED  
DISTANCE

RCV FRAME

ITA FRAME

[1.65]  
.065



CUSTOMER DRAWING				
DIMENSIONS ARE SHOWN AS:	SIZE	CAGE CODE	DWG. NO.	REV
[MILLIMETERS] INCHES	C	18117	310131111	B
SCALE: 1:2		310131111	SHEET 2 OF 2	