

4

3

2

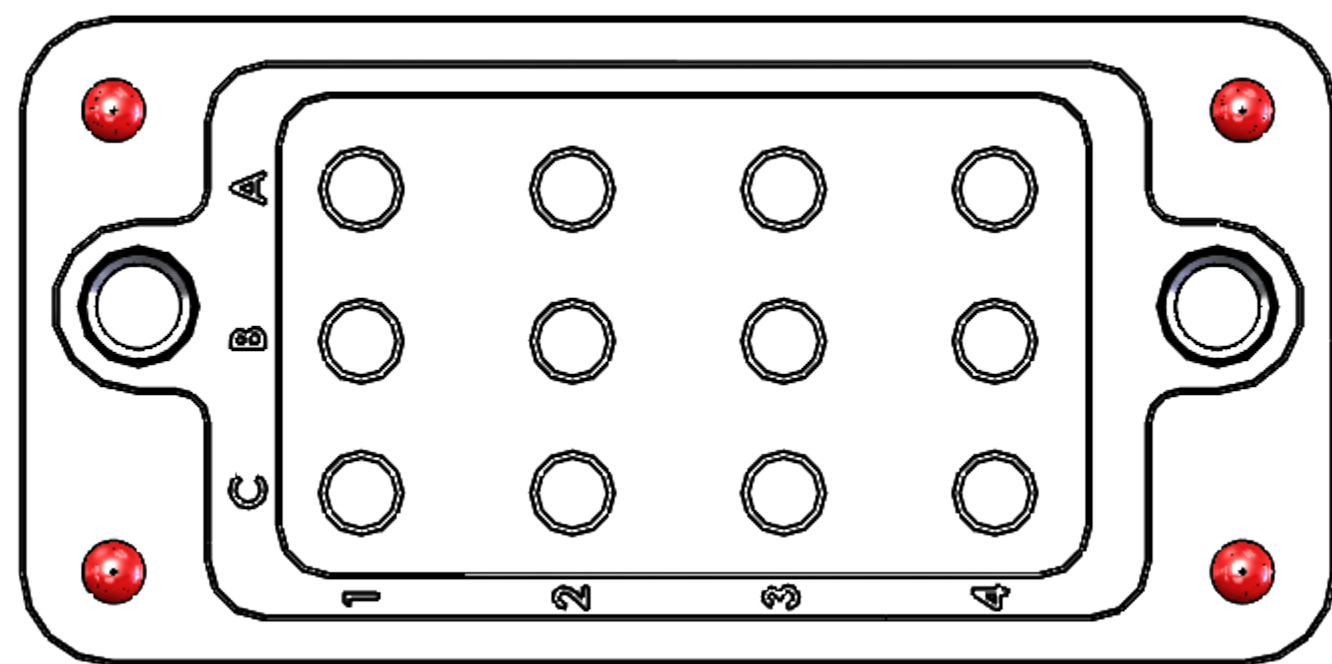
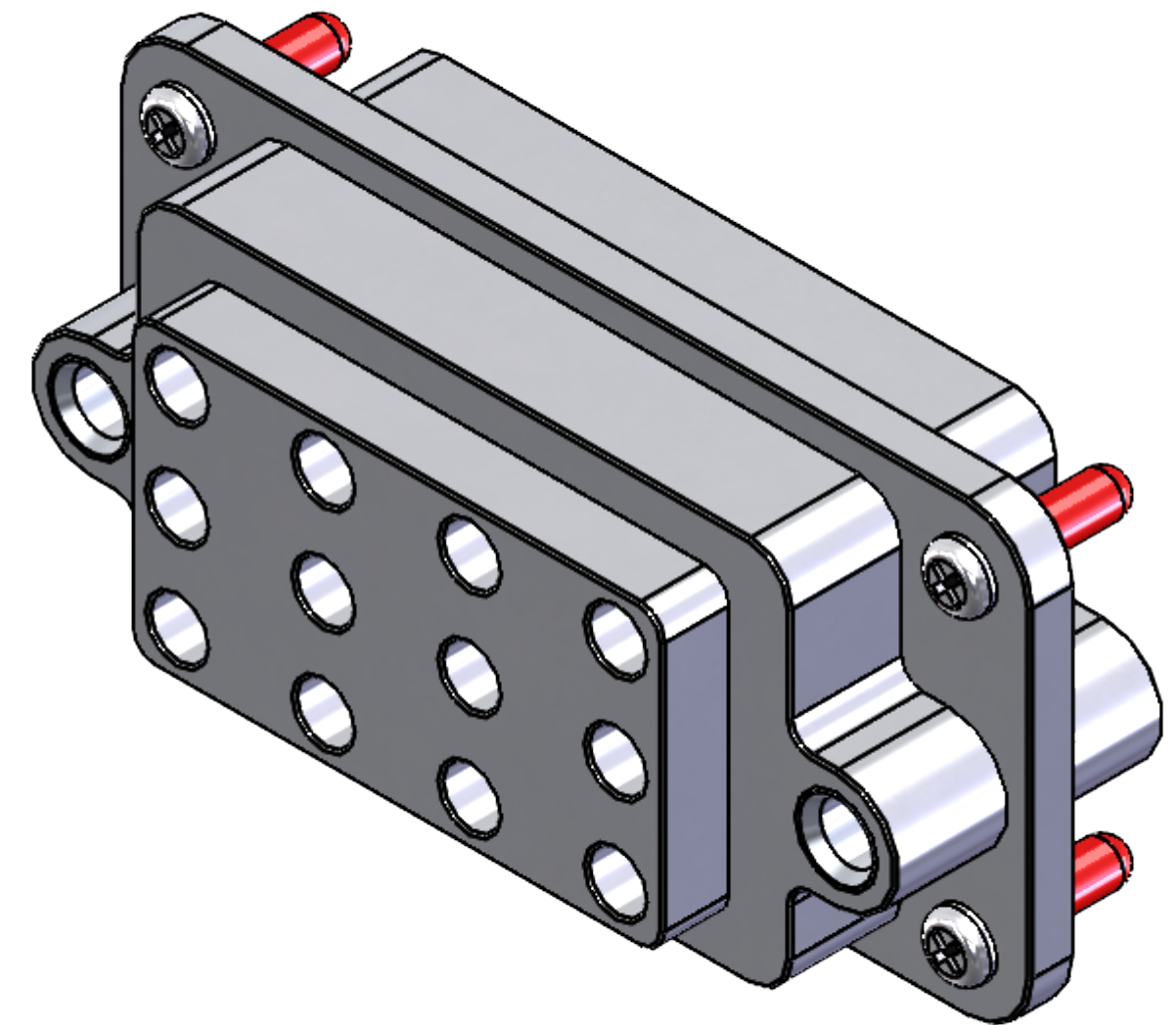
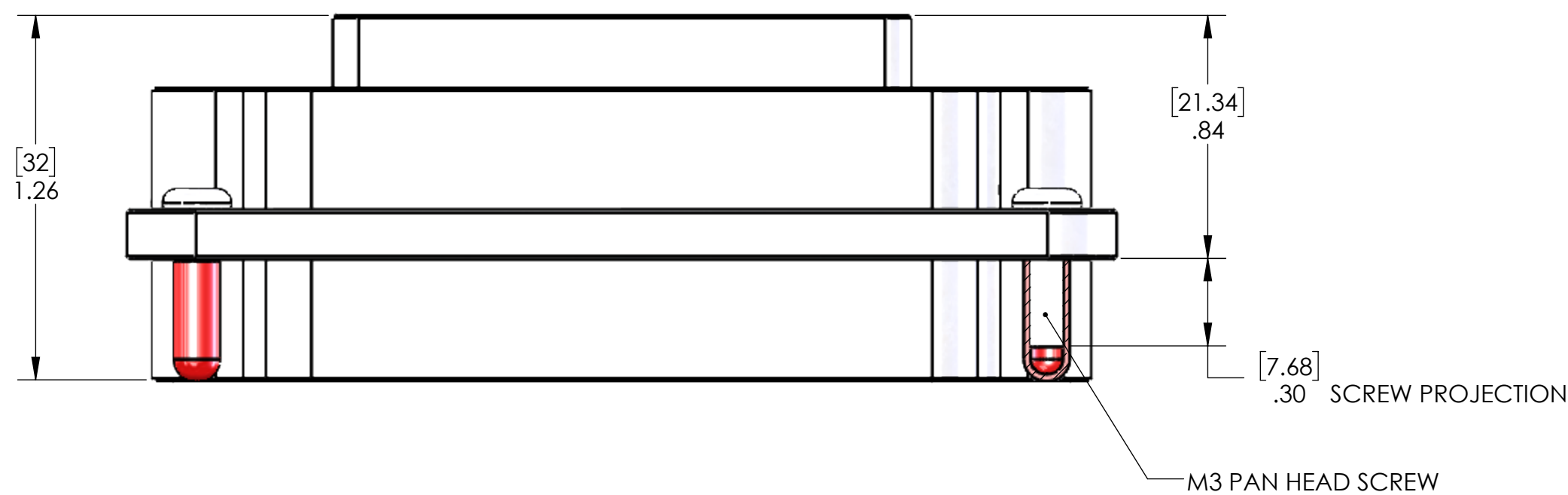
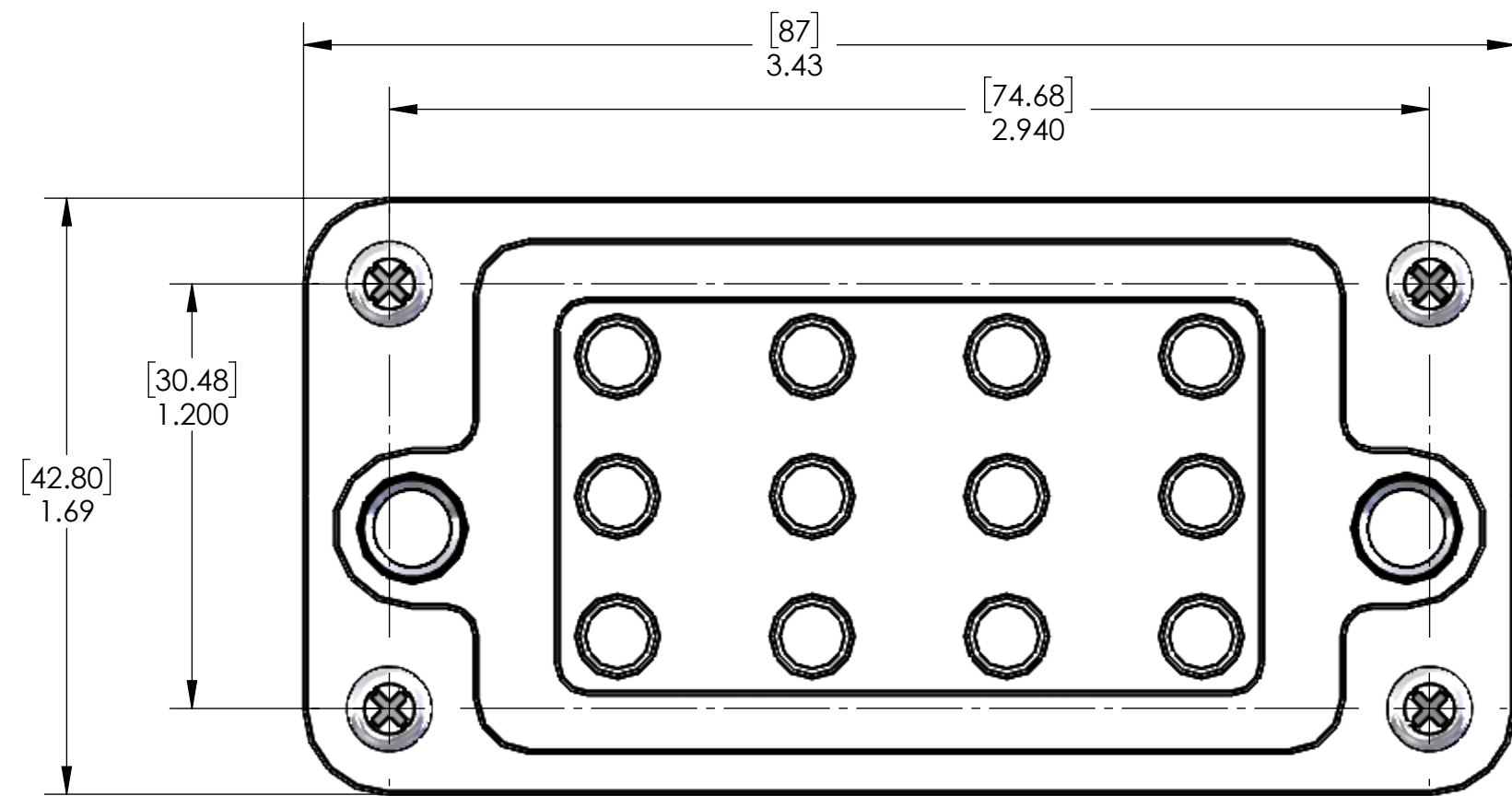
1

DO NOT SCALE DRAWING

THE INFORMATION CONTAINED HEREIN IS THE EXCLUSIVE PROPERTY OF VIRGINIA PANEL CORPORATION AND IS SUBMITTED FOR USE BY THE CUSTOMER ONLY. THE DATA SHALL NOT BE DUPLICATED, USED, OR DISCLOSED IN WHOLE OR IN PART FOR ANY PURPOSE OTHER THAN TO MAINTAIN THE EQUIPMENT PROVIDED. CONSULT WITH VIRGINIA PANEL CORPORATION ENGINEERING IF MORE DETAIL IS REQUIRED.

REVISIONS

REV	DESCRIPTION	DATE	ENGR
A	DRAWING ORIGATION - ECN #15433	11/19/2025	R GARMAN



- 3. ACCEPTABLE TEMPERATURE RANGE -40° TO 80° C.
- 2. FRAME MATERIAL - ALUMINUM, CLEAR ANODIZED  
BUSHING MATERIAL - STAINLESS STEEL, PASSIVATED  
HARDWARE - STAINLESS STEEL, PASSIVATED
- 1. FOR APPLICATION USE & CARE INFORMATION CONSULT VPC USERS GUIDE @WWW.VPC.COM

NOTES:

RELATIVE CONNECTOR POSITIONS AND WIRE ROUTING ARE GENERIC AND MAY VARY WITH PINOUT			
DIMENSIONS ARE SHOWN AS:	SIZE	CAGE CODE	DWG. NO.
[MILLIMETERS]	C	18117	310131117
INCHES			
SCALE: 2:1	310131117	11/19/2025	SHEET 1 OF 2

**CUSTOMER DRAWING**  
**VIRGINIA PANEL CORPORATION**  
 WWW.VPC.COM  
**D1 RCV 12 POS PNU DOCKING CONNECTOR**

4

3

2

1

4

3

2

1

DO NOT SCALE DRAWING

D

C

B

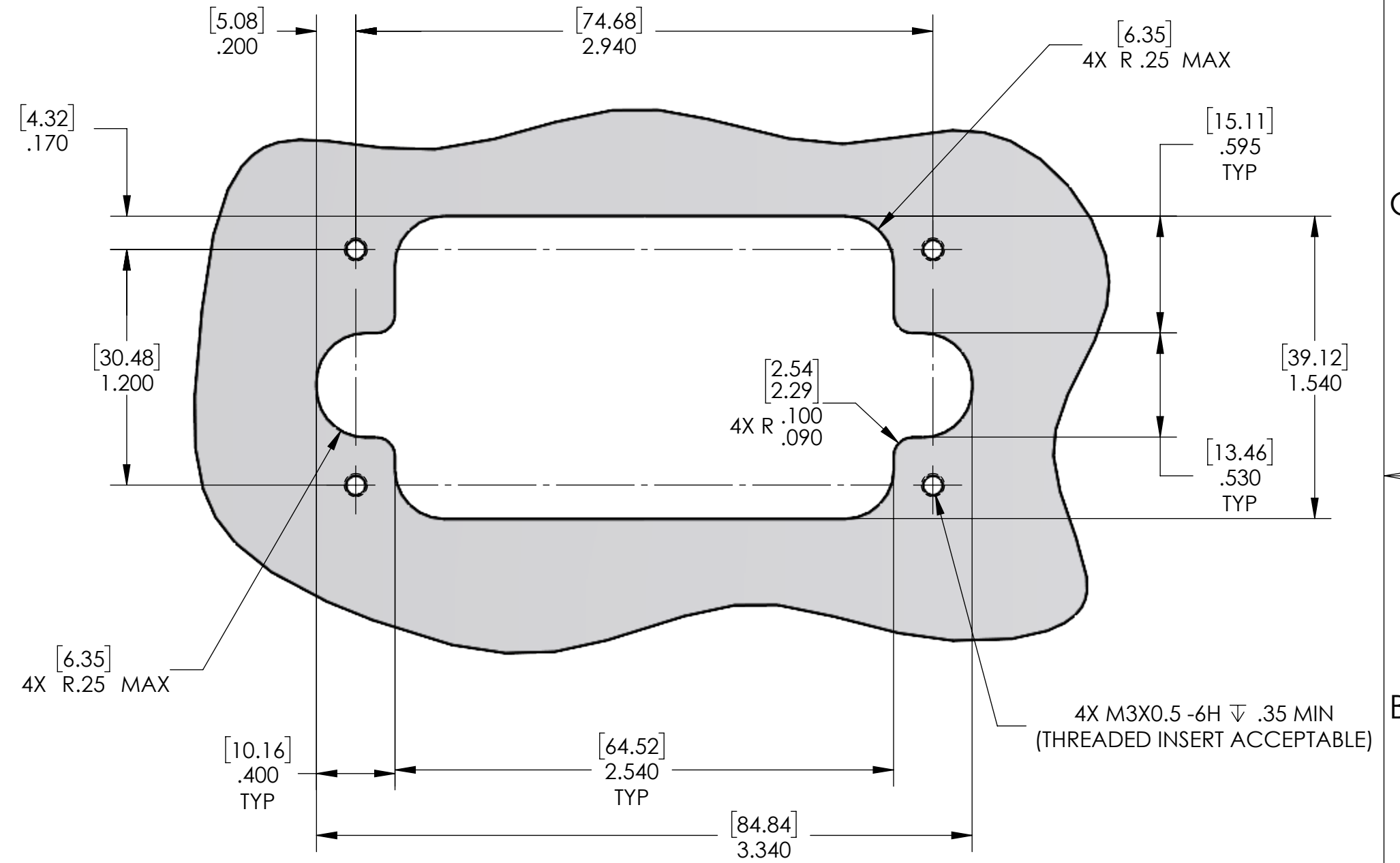
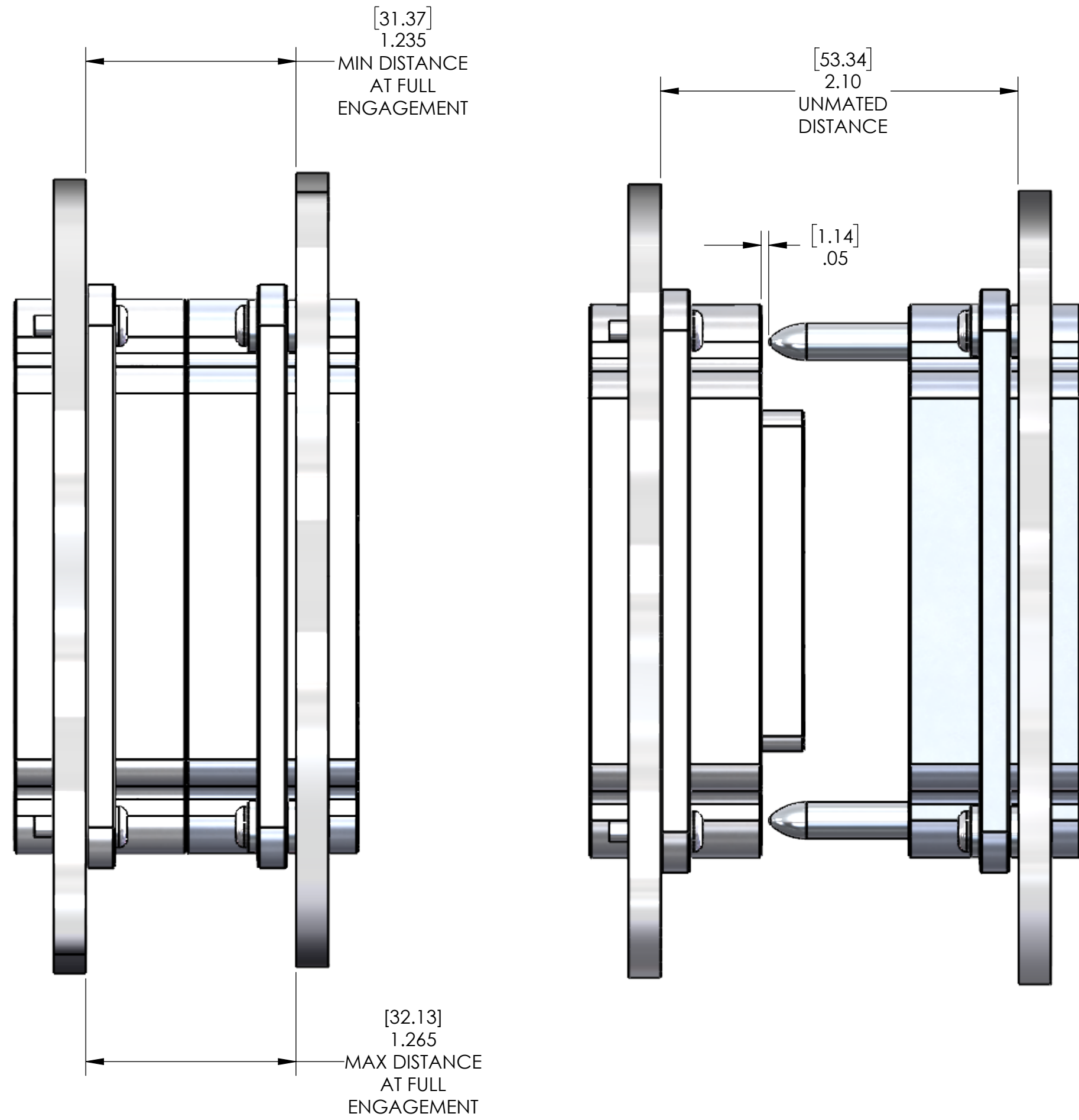
A

D

C

B

A



PANEL CUTOUT  
(MATING FACE)

MAX RADIAL MISALIGNMENT WHEN MATING	.020" [.51]
MAX ANGLE DEVIATION AT INITIAL ENGAGEMENT	2°

<b>CUSTOMER DRAWING</b>				
DIMENSIONS ARE SHOWN AS:	SIZE	CAGE CODE	DWG. NO.	REV
[MILLIMETERS]	C	18117	310131117	A
INCHES	SCALE: 3:2	310131117	SHEET 2 OF 2	

4

3

2

1