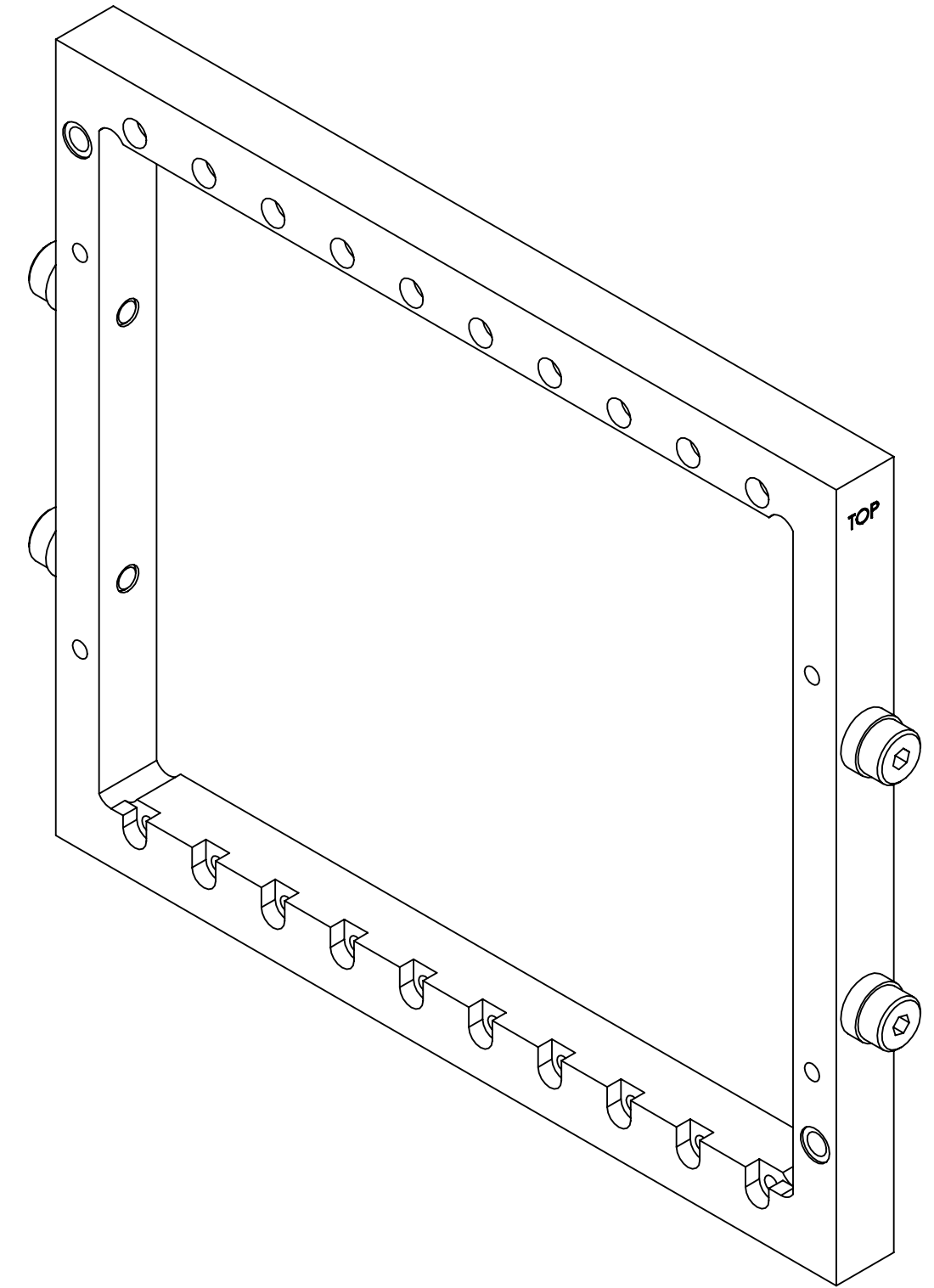
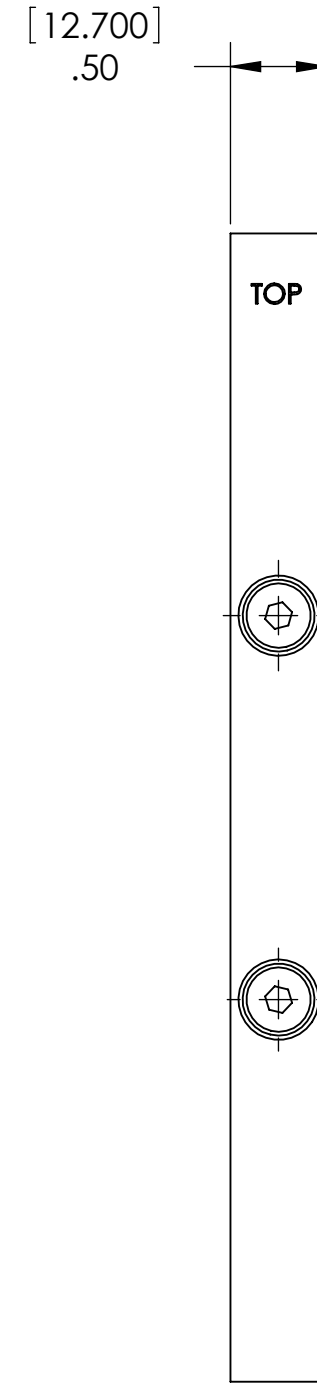
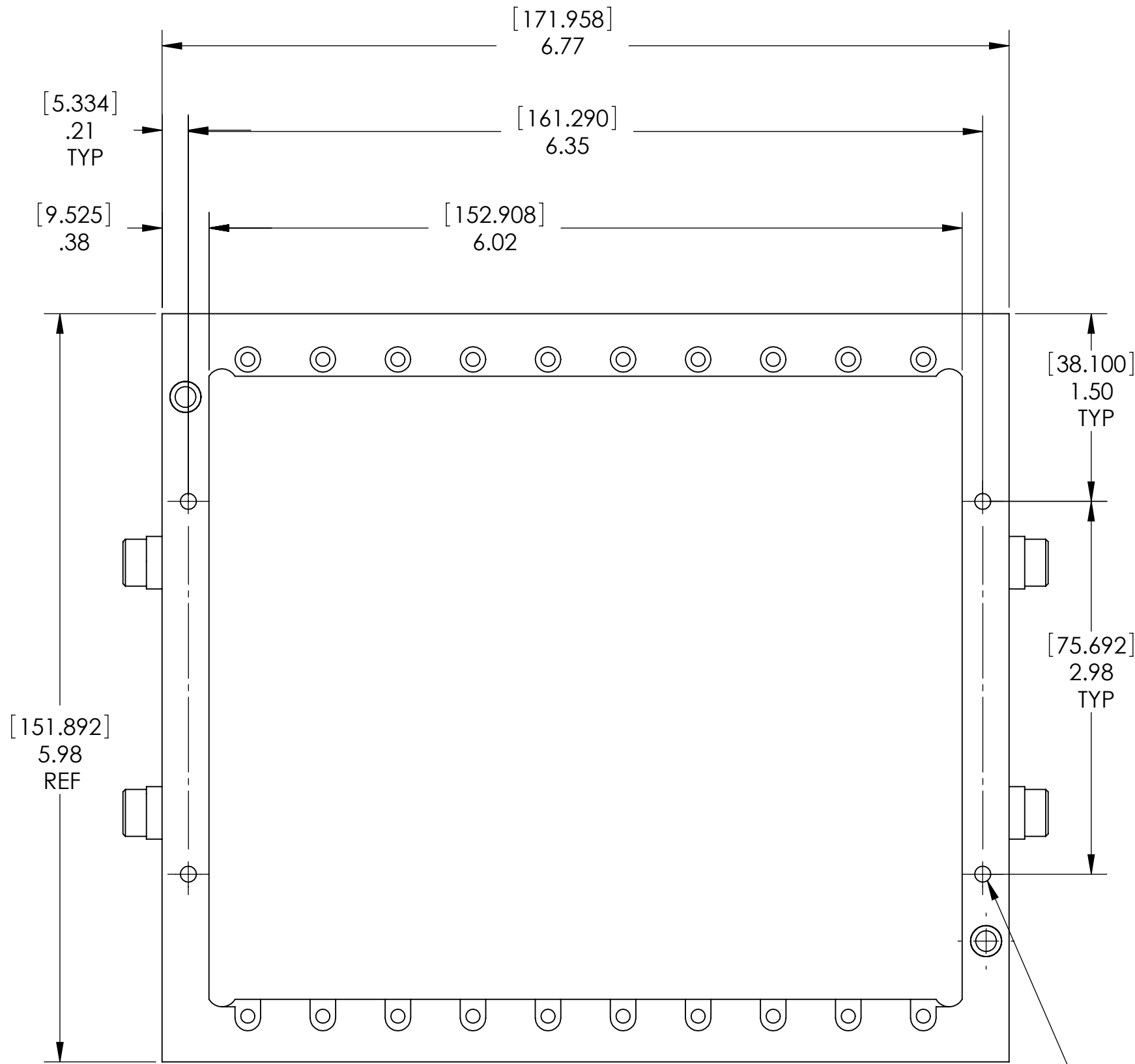


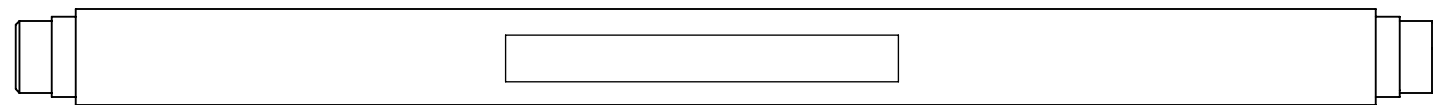
DO NOT SCALE DRAWING

THE INFORMATION CONTAINED HEREIN IS THE EXCLUSIVE PROPERTY OF VIRGINIA PANEL CORP. AND IS SUBMITTED FOR USE BY THE CUSTOMER ONLY. THE DATA SHALL NOT BE DUPLICATED, USED, OR DISCLOSED IN WHOLE OR IN PART FOR ANY PURPOSE OTHER THAN TO MAINTAIN THE EQUIPMENT PROVIDED. CONSULT WITH VIRGINIA PANEL CORPORATION ENGINEERING IF MORE DETAIL IS REQUIRED.

REVISIONS				
ZONE	REV	DESCRIPTION	DATE	APPROVED
	G	ECN # 6059	6/12/15	JTD



Ø.128 THRU,  
C'BORE Ø.218 x.14 DEEP FAR SIDE,  
TYP 4 PLCS.



410104123

**CUSTOMER DRAWING - CUSTOMER DRAWING**

SOLIDWORKS DRAWING FILE	DIMENSIONS ARE SHOWN AS:		SIGNATURES		DATE	<b>VIRGINIA PANEL CORPORATION</b> WWW.VPC.COM			
	(millimeters) INCHES		DR	C. WINE	6/12/89				
	REMOVE BURRS. BREAK SHARP EDGES		CHK			ITA, 90 SERIES-10 MODULE			
	MATERIAL		ENG						
	FINISH		PROD			SIZE	CAGE CODE	DWG.NO.	REV
		ASSY			C	18117	4227 07 104	G	
		QA			SCALE: NONE		6/12/89	422707104	SHEET 1 OF 1
		APPD							

1 FOR APPLICATION, USE & CARE INFORMATION  
CONSULT VPC USERS GUIDE @WWW.VPC.COM

NOTES: