

4

3

2

1

DO NOT SCALE DRAWING

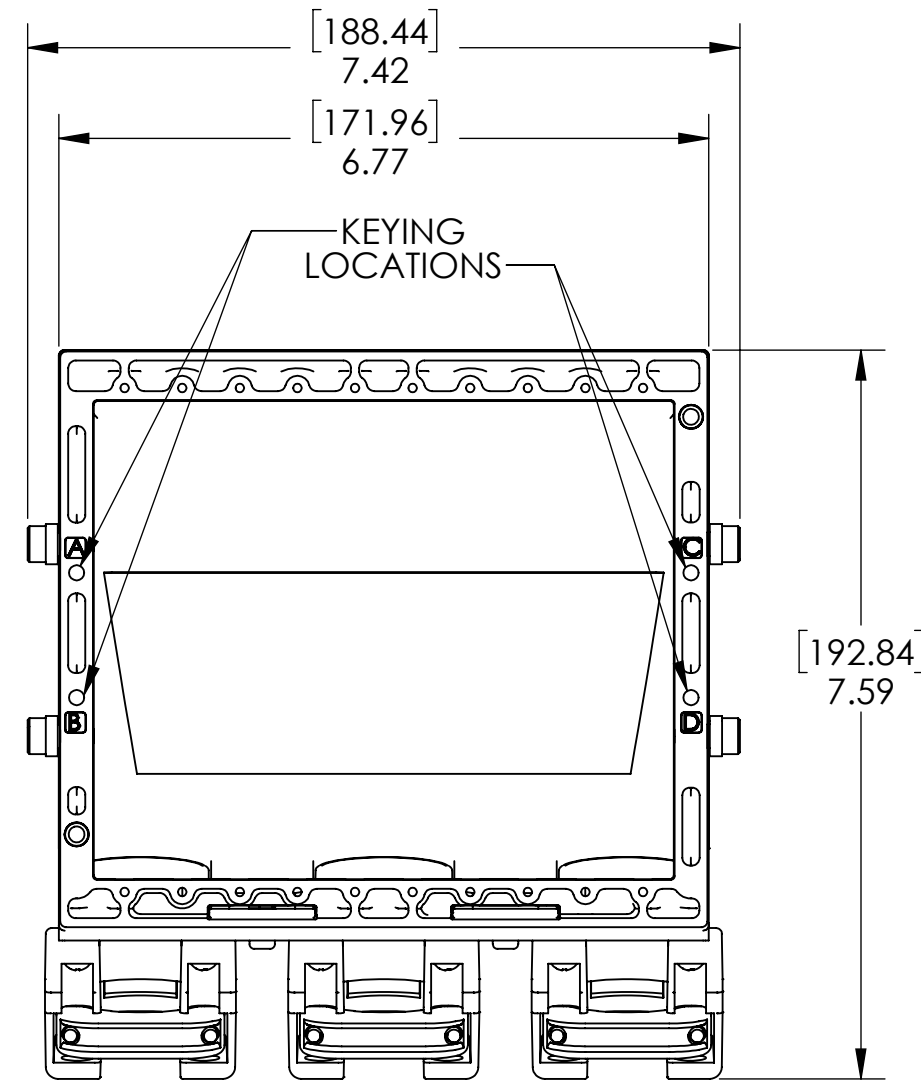
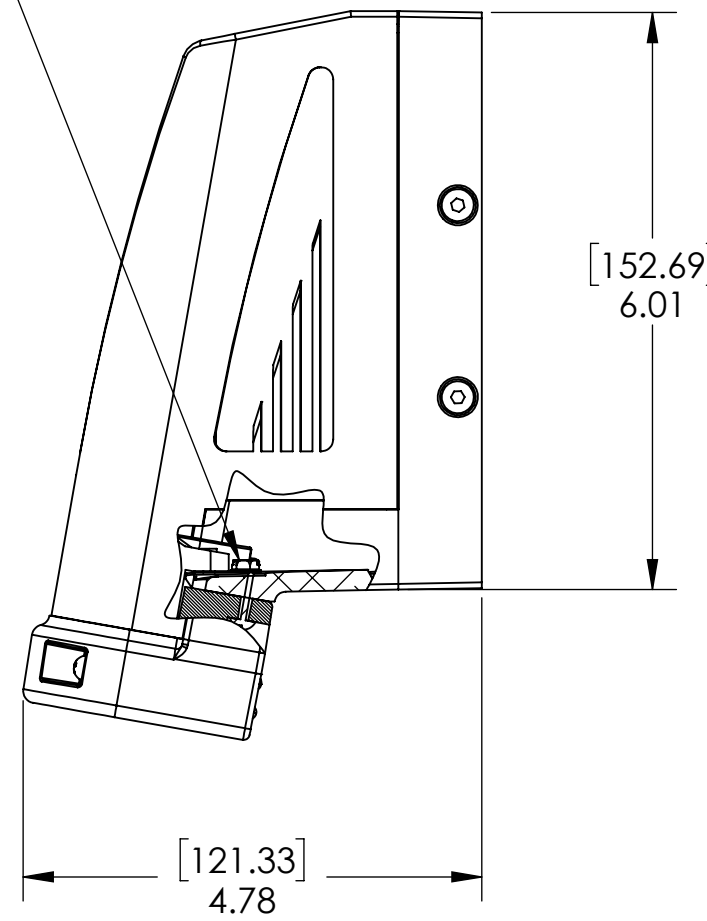
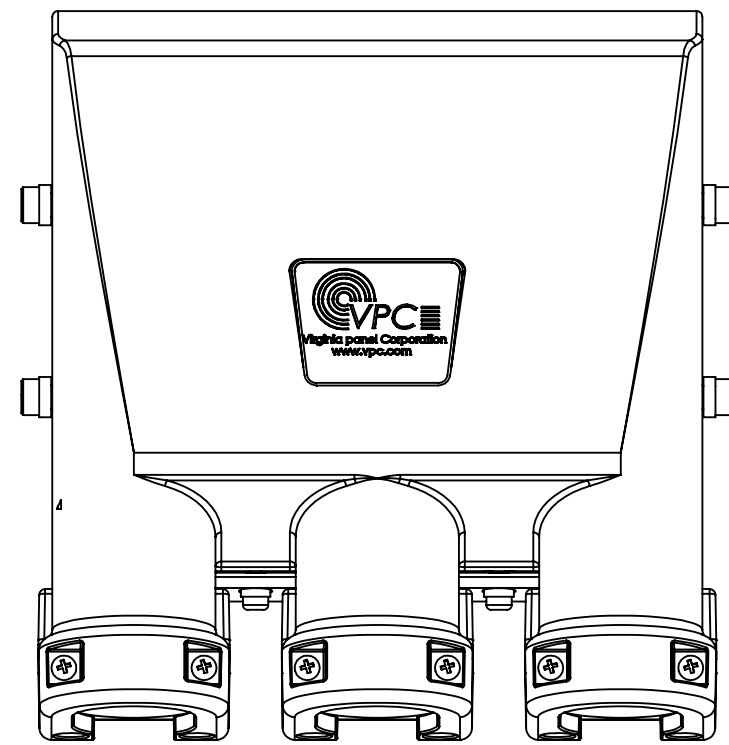
THE INFORMATION CONTAINED HEREIN IS THE EXCLUSIVE PROPERTY OF VIRGINIA PANEL CORP. AND IS SUBMITTED FOR USE BY THE CUSTOMER ONLY. THE DATA SHALL NOT BE DUPLICATED, USED, OR DISCLOSED IN WHOLE OR IN PART FOR ANY PURPOSE OTHER THAN TO MAINTAIN THE EQUIPMENT PROVIDED. CONSULT WITH VIRGINIA PANEL CORPORATION ENGINEERING IF MORE DETAIL IS REQUIRED.

REVISIONS				
ZONE	REV	DESCRIPTION	DATE	APPROVED
	F	ECN# 14177	5/16/24	R HERRON

D

D

INTERNAL GROUND LOCATION
6-32 SCREW (.134" / 3.4mm O.D.)

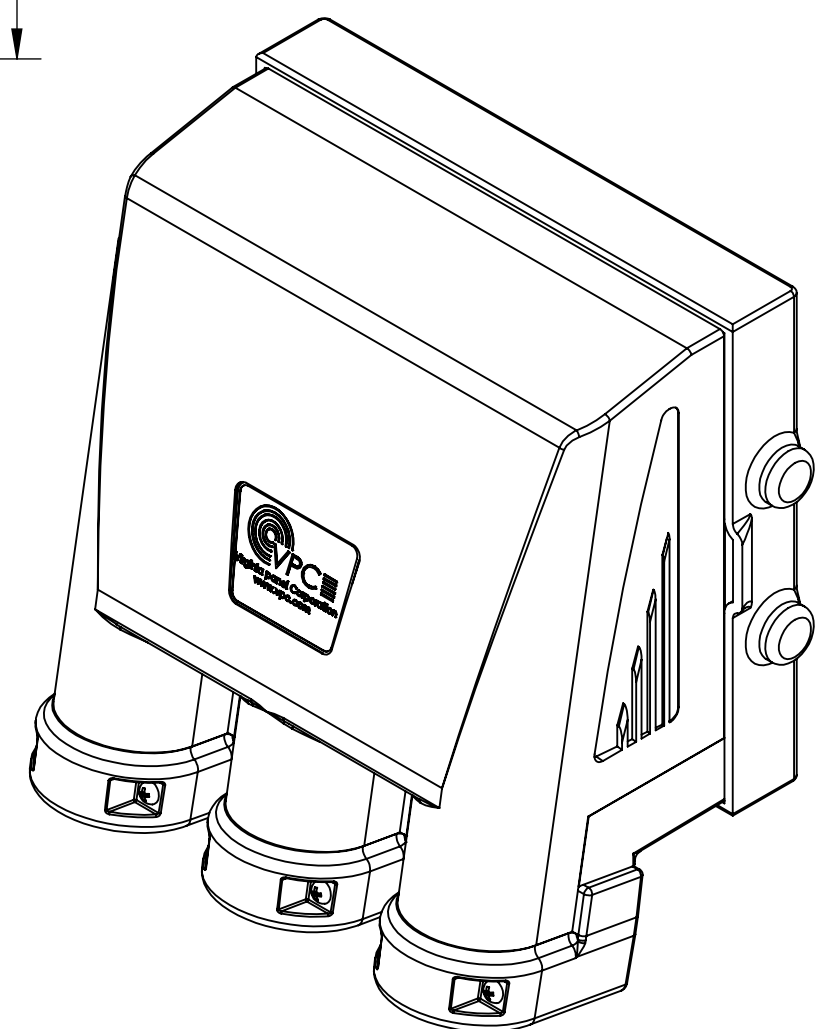
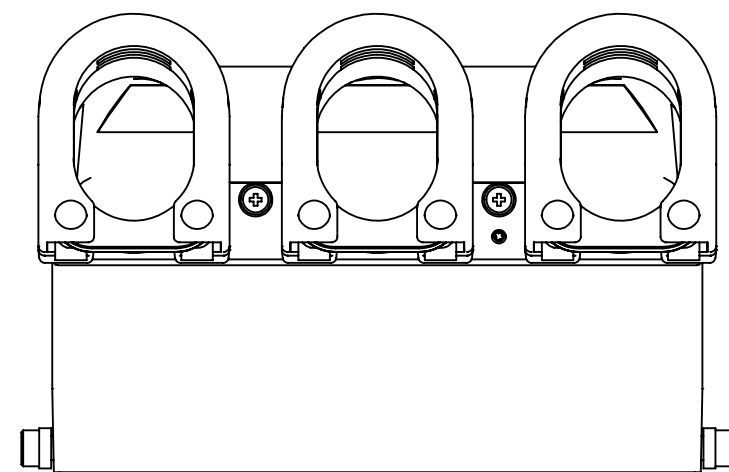


C

C

B

B



SHOWN WITH INCLUDED PROTECTIVE COVER

A

A

KEYING PLUG LOCATIONS							
PATTERN 1				PATTERN 4			
RECEIVER		ITA		RECEIVER		ITA	
PIN A INSTALLED	PIN C INSTALLED	SCREW A OPEN	SCREW C INSTALLED	PIN A OPEN	PIN C INSTALLED	SCREW A INSTALLED	SCREW C OPEN
PIN B OPEN	PIN D OPEN	SCREW B INSTALLED	SCREW D INSTALLED	PIN B OPEN	PIN D INSTALLED	SCREW B INSTALLED	SCREW D OPEN
PATTERN 2				PATTERN 5			
RECEIVER		ITA		RECEIVER		ITA	
PIN A INSTALLED	PIN C OPEN	SCREW A OPEN	SCREW C INSTALLED	PIN A OPEN	PIN C INSTALLED	SCREW A INSTALLED	SCREW C OPEN
PIN B INSTALLED	PIN D OPEN	SCREW B OPEN	SCREW D INSTALLED	PIN B INSTALLED	PIN D OPEN	SCREW B OPEN	SCREW D INSTALLED
PATTERN 3				PATTERN 6			
RECEIVER		ITA		RECEIVER		ITA	
PIN A INSTALLED	PIN C OPEN	SCREW A OPEN	SCREW C INSTALLED	PIN A OPEN	PIN C OPEN	SCREW A INSTALLED	SCREW C INSTALLED
PIN B OPEN	PIN D INSTALLED	SCREW B INSTALLED	SCREW D OPEN	PIN B INSTALLED	PIN D INSTALLED	SCREW B OPEN	SCREW D OPEN

SOLIDWORKS DRAWING FILE

CUSTOMER DRAWING - CUSTOMER DRAWING

DIMENSIONS ARE SHOWN AS: (millimeters) INCHES	SIGNATURES		DATE
	DR CHK	E. HUBBARD	7/10/00
REMOVE BURRS. BREAK SHARP EDGES	ENG		
MATERIAL	PROD		
	ASSY		
	Q A		
FINISH	APPD		

VIRGINIA PANEL CORPORATION WWW.VPC.COM			
ITA/ENCL 10 POS			
SIZE C	CAGE CODE 18117	DWG.NO. 410104272	REV F
SCALE: NONE	7/10/00	410104272	SHEET 1 OF 1

2. IF KEYING IS REQUIRED USE VPC KEYING KIT PART NUMBER 310118112.

1. FOR APPLICATION, USE & CARE INFORMATION CONSULT VPC USERS GUIDE @WWW.VPC.COM

NOTES:

4

3

2

1