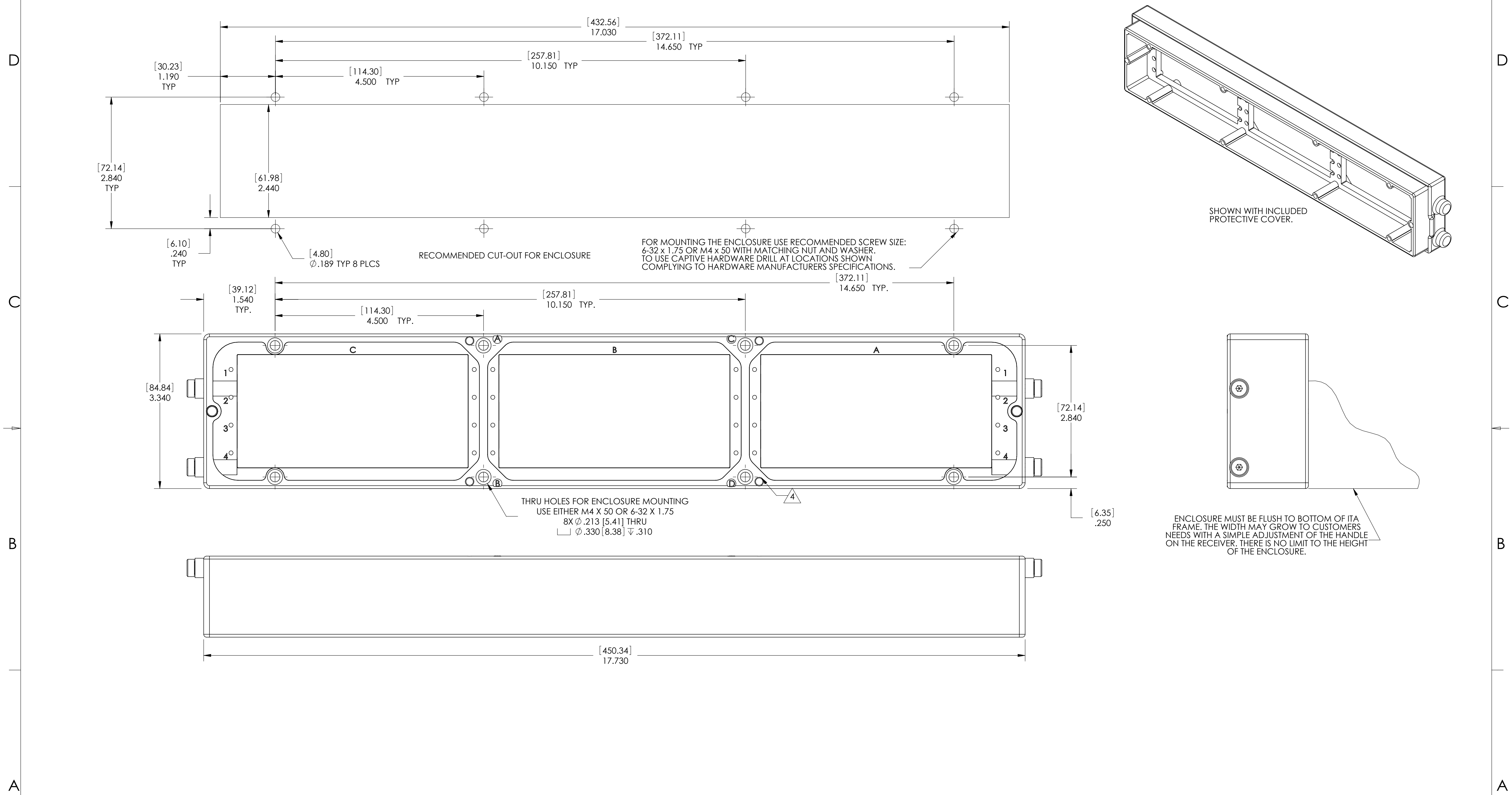


DO NOT SCALE DRAWING

THE INFORMATION CONTAINED HEREIN IS THE EXCLUSIVE PROPERTY OF VIRGINIA PANEL CORPORATION AND IS SUBMITTED FOR USE BY THE CUSTOMER ONLY. THE DATA SHALL NOT BE DUPLICATED, USED OR DISCLOSED IN WHOLE OR IN PART FOR ANY PURPOSE OTHER THAN TO MAINTAIN THE EQUIPMENT PROVIDED. CONSULT WITH VIRGINIA PANEL CORPORATION ENGINEERING IF MORE DETAIL IS REQUIRED.

REVISIONS			
REV	DESCRIPTION	DATE	ENGR
L	ECN #6069	6/16/15	JTD



SHOWN WITH INCLUDED PROTECTIVE COVER.

FOR MOUNTING THE ENCLOSURE USE RECOMMENDED SCREW SIZE: 6-32 x 1.75 OR M4 x 50 WITH MATCHING NUT AND WASHER. TO USE CAPTIVE HARDWARE DRILL AT LOCATIONS SHOWN COMPLYING TO HARDWARE MANUFACTURERS SPECIFICATIONS.

THRU HOLES FOR ENCLOSURE MOUNTING USE EITHER M4 X 50 OR 6-32 X 1.75 8X Ø.213 [5.41] THRU □ Ø.330 [8.38] ▽.310

ENCLOSURE MUST BE FLUSH TO BOTTOM OF ITA FRAME. THE WIDTH MAY GROW TO CUSTOMERS NEEDS WITH A SIMPLE ADJUSTMENT OF THE HANDLE ON THE RECEIVER. THERE IS NO LIMIT TO THE HEIGHT OF THE ENCLOSURE.

4 IF KEYING IS REQUIRED USE VPC KEYING KIT PART NUMBER 310118112. SEE TABLE FOR KEYING OPTIONS.

- 3. ITA MATERIAL - ALUMINUM
ITA FRAME FINISH - ELECTROLESS Ni
- 2. WEIGHT = 1.8 LBS. [0.8 KG.]
- 1. FOR APPLICATION USE AND CARE INFORMATION
CONSULT VPC USERS GUIDE @ WWW.VPC.COM

NOTES:

CUSTOMER DRAWING
VIRGINIA PANEL CORPORATION
 WWW.VPC.COM
ITA, G12, 12 MODULE
FRONT MOUNT

DIMENSIONS ARE SHOWN AS:	SIZE	CAGE CODE	DWG. NO.	REV
[MILLIMETERS]	D 18117		410104322	L
[INCHES]	SCALE: 1:1	410104322	12/1/04	SHEET 1 OF 1