

4

3

2

1

DO NOT SCALE DRAWING

THE INFORMATION CONTAINED HEREIN IS THE EXCLUSIVE PROPERTY OF VIRGINIA PANEL CORPORATION AND IS SUBMITTED FOR USE BY THE CUSTOMER ONLY. THE DATA SHALL NOT BE DUPLICATED, USED, OR DISCLOSED IN WHOLE OR IN PART FOR ANY PURPOSE OTHER THAN TO MAINTAIN THE EQUIPMENT PROVIDED. CONSULT WITH VIRGINIA PANEL CORPORATION ENGINEERING IF MORE DETAIL IS REQUIRED.

REVISIONS

REV	DESCRIPTION	DATE	ENGR
C	ECN # 08-410-0118	9/19/08	R GARMAN

D

C

B

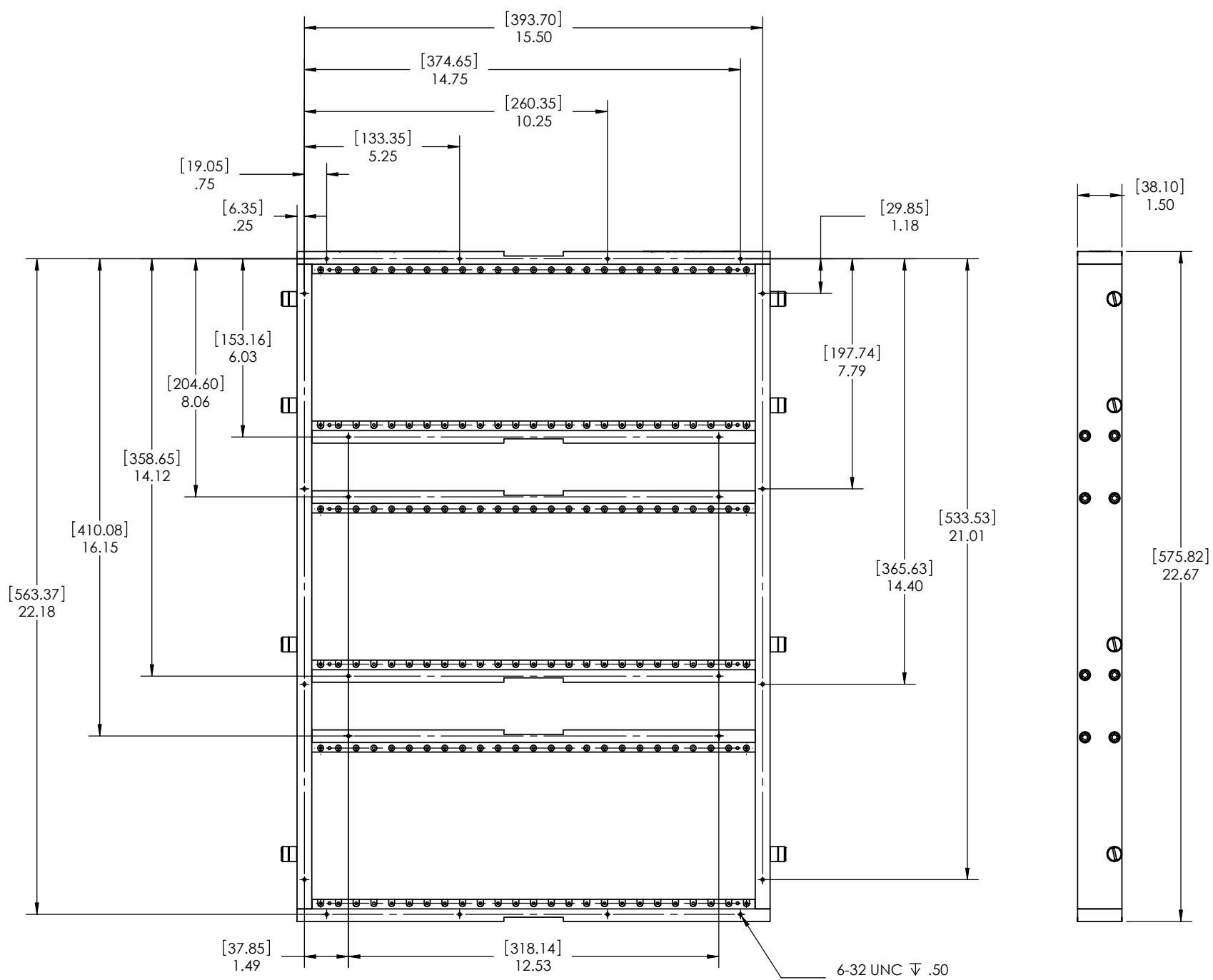
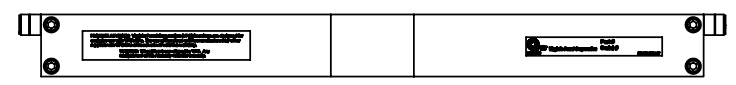
A

D

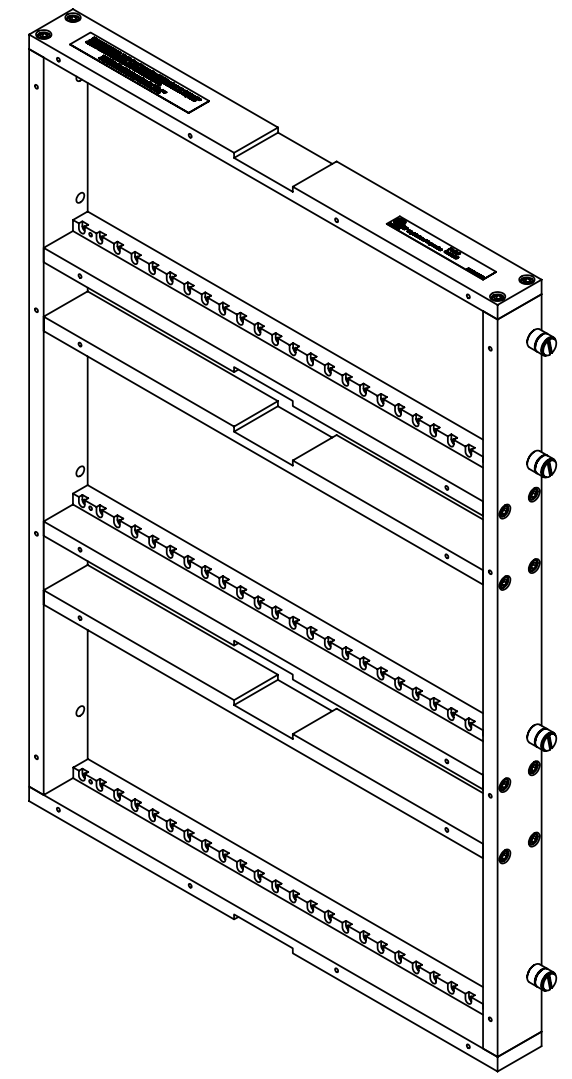
C

B

A



6-32 UNC ∇ .50
TYP. 24 PLCS.



2. MATING 75 MOD RECEIVER VPC PART NUMBERS: 310104307 & 310104299
 1. FOR APPLICATION USE & CARE INFORMATION CONSULT VPC USERS GUIDE @WWW.VPC.COM
 NOTES:

CUSTOMER DRAWING
VIRGINIA PANEL CORPORATION
WWW.VPC.COM
ITA 9075 1.5"

DIMENSIONS ARE SHOWN AS:		SIZE	CAGE CODE	DWG. NO.	REV
[MILLIMETERS]		C	18117	410104449	C
[INCHES]		SCALE: NONE 410104449 06/04/2008 SHEET 1 OF 1			

4

3

2

1