

4

3

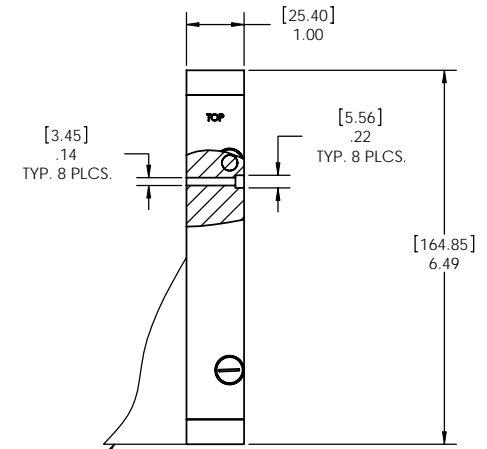
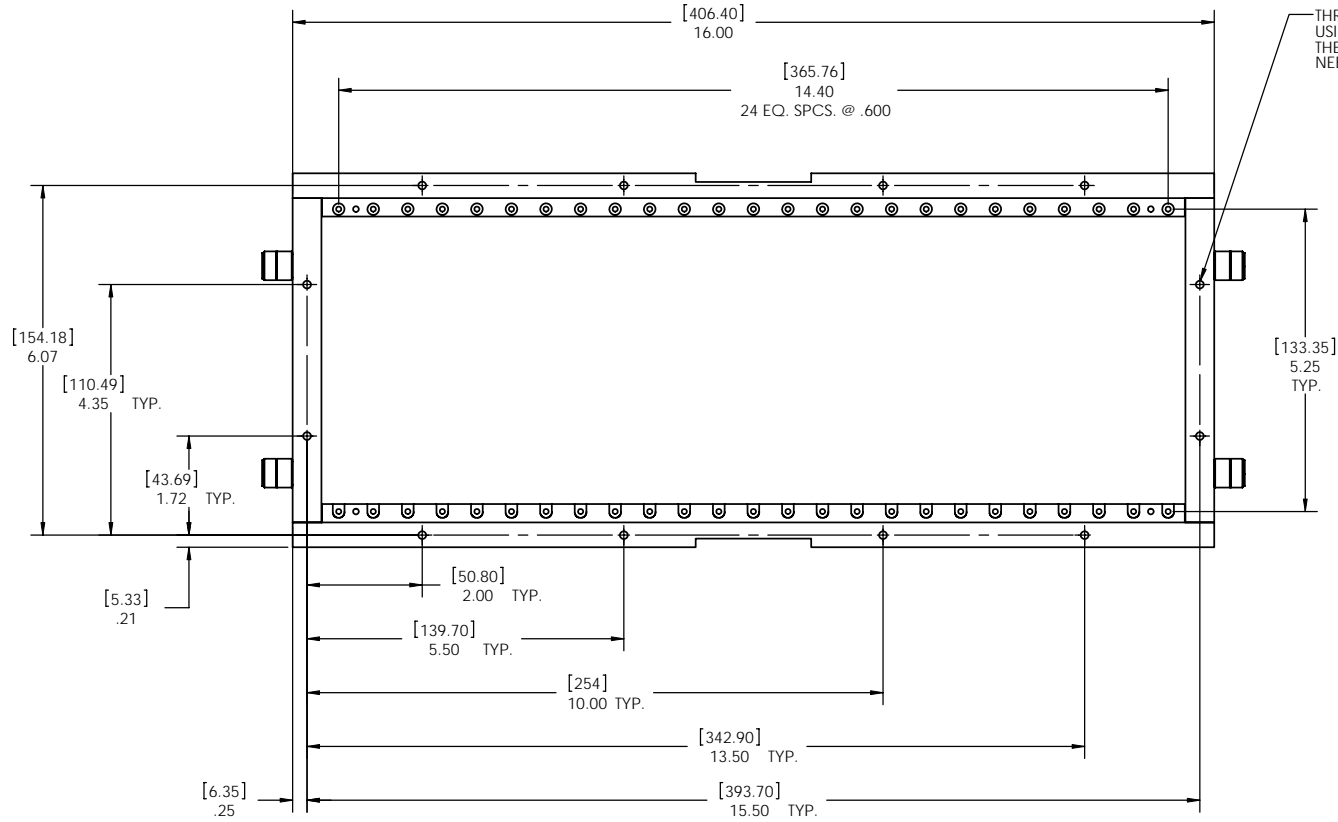
2

1

DO NOT SCALE DRAWING

THE INFORMATION CONTAINED HEREIN IS THE EXCLUSIVE PROPERTY OF VIRGINIA PANEL CORPORATION AND IS SUBMITTED FOR USE BY THE CUSTOMER ONLY. THE DATA SHALL NOT BE DUPLICATED, USED, OR DISCLOSED IN WHOLE OR IN PART FOR ANY PURPOSE OTHER THAN TO MAINTAIN THE EQUIPMENT PROVIDED. CONSULT WITH VIRGINIA PANEL CORPORATION ENGINEERING IF MORE DETAIL IS REQUIRED.

REVISIONS			
REV	DESCRIPTION	DATE	ENGR
A	ORIGINAL RELEASE - ECN #08-410-0056	04/10/2008	C CHURCH



FOR RECEIVER PART NUMBER 310104363: ENCLOSURE MUST BE FLUSH TO BOTTOM OF ITA FRAME. THE WIDTH MAY GROW TO THE LEFT TO CUSTOMER NEEDS. THE WIDTH MAY GROW TO THE RIGHT UP TO 1.5 INCHES [38mm]. THERE IS NO LIMIT TO THE HEIGHT OF THE ENCLOSURE.

1. FOR APPLICATION USE & CARE INFORMATION CONSULT VPC USERS GUIDE @WWW.VPC.COM
NOTES:

CUSTOMER DRAWING			
VIRGINIA PANEL CORPORATION WWW.VPC.COM			
ITA, 9025, FRONT MOUNT			
DIMENSIONS ARE SHOWN AS:	SIZE	CAGE CODE	DWG. NO.
[MILLIMETERS]	C	18117	410104451
INCHES			
SCALE:	3:5	410104451	04/10/2008
		SHEET	1 OF 2

4

3

2

1

4

3

2

1

DO NOT SCALE DRAWING

THE INFORMATION CONTAINED HEREIN IS THE EXCLUSIVE PROPERTY OF VIRGINIA PANEL CORPORATION AND IS SUBMITTED FOR USE BY THE CUSTOMER ONLY. THE DATA SHALL NOT BE DUPLICATED, USED, OR DISCLOSED IN WHOLE OR IN PART FOR ANY PURPOSE OTHER THAN TO MAINTAIN THE EQUIPMENT PROVIDED. CONSULT WITH VIRGINIA PANEL CORPORATION ENGINEERING IF MORE DETAIL IS REQUIRED.

REVISIONS			
REV	DESCRIPTION	DATE	ENGR
A	ORIGINAL RELEASE - ECN #	04/10/2008	C CHURCH

D

D

C

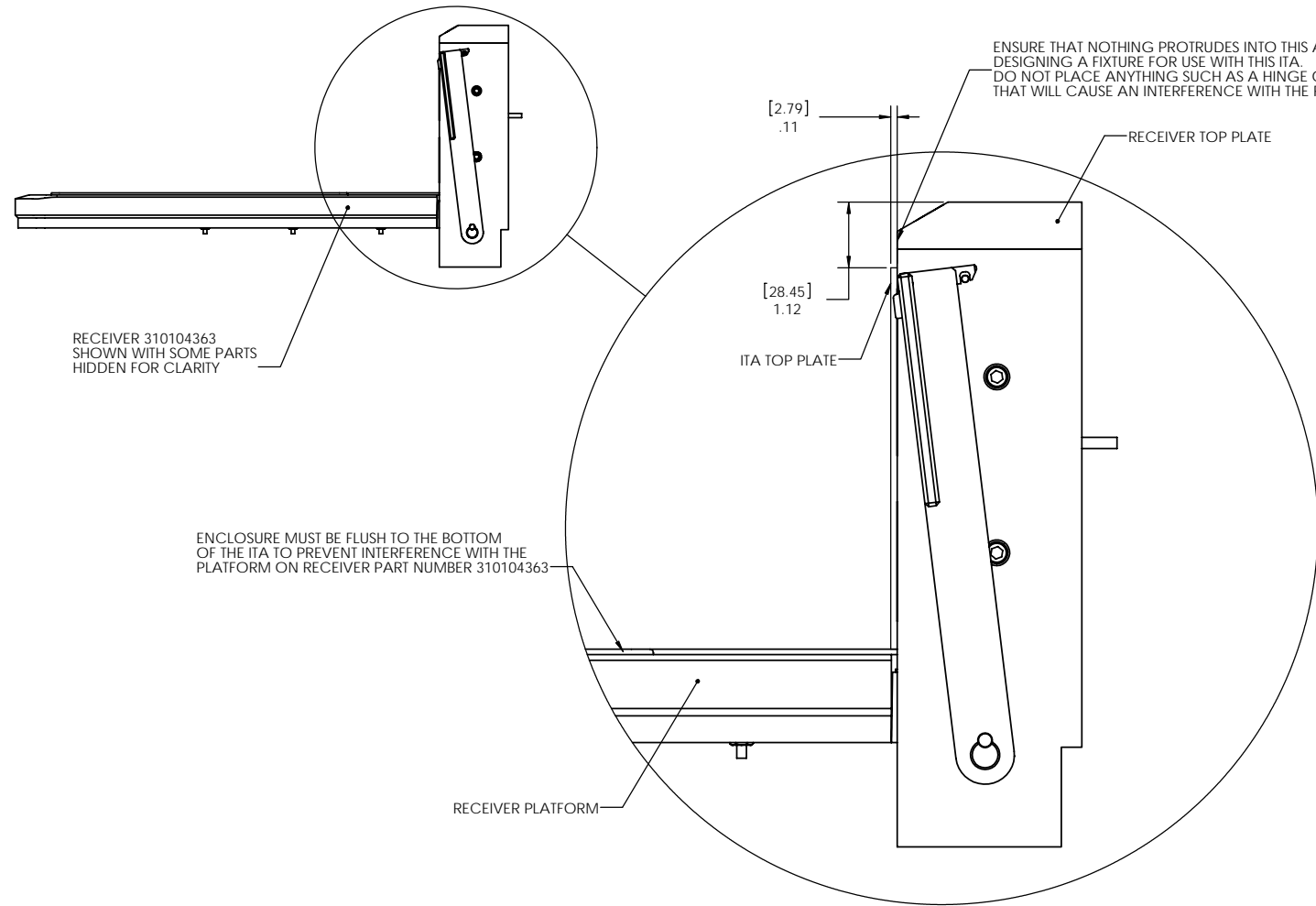
C

B

B

A

A



DETAIL A
SCALE 2 : 3

CUSTOMER DRAWING			
VIRGINIA PANEL CORPORATION WWW.VPC.COM			
ITA, 9025, FRONT MOUNT			

1. FOR APPLICATION USE & CARE INFORMATION CONSULT VPC USERS GUIDE @WWW.VPC.COM
NOTES:

DIMENSIONS ARE SHOWN AS:	SIZE	CAGE CODE	DWG. NO.	REV
[MILLIMETERS]	C	18117	310104363	A
INCHES	SCALE: 3:5	410104451	1/22/07	SHEET 2 OF 2

4

3

2

1