

4

3

2

1

DO NOT SCALE DRAWING

THE INFORMATION CONTAINED HEREIN IS THE EXCLUSIVE PROPERTY OF VIRGINIA PANEL CORPORATION AND IS SUBMITTED FOR USE BY THE CUSTOMER ONLY. THE DATA SHALL NOT BE DUPLICATED, USED, OR DISCLOSED IN WHOLE OR IN PART FOR ANY PURPOSE OTHER THAN TO MAINTAIN THE EQUIPMENT PROVIDED. CONSULT WITH VIRGINIA PANEL CORPORATION ENGINEERING IF MORE DETAIL IS REQUIRED.

REVISIONS

REV	DESCRIPTION	DATE	ENGR
D	ECN #15241	8/26/25	Z MORRIS

D

D

C

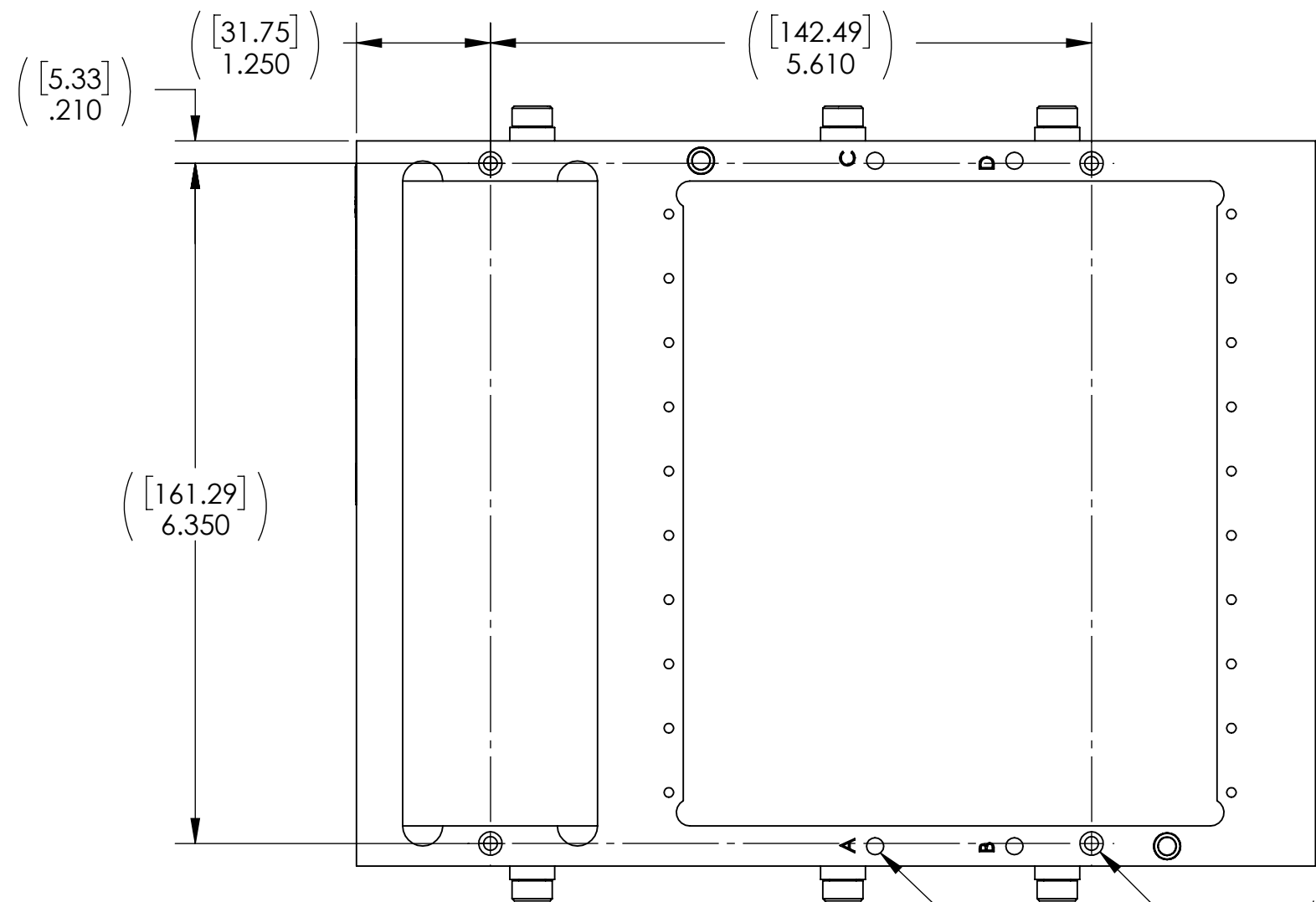
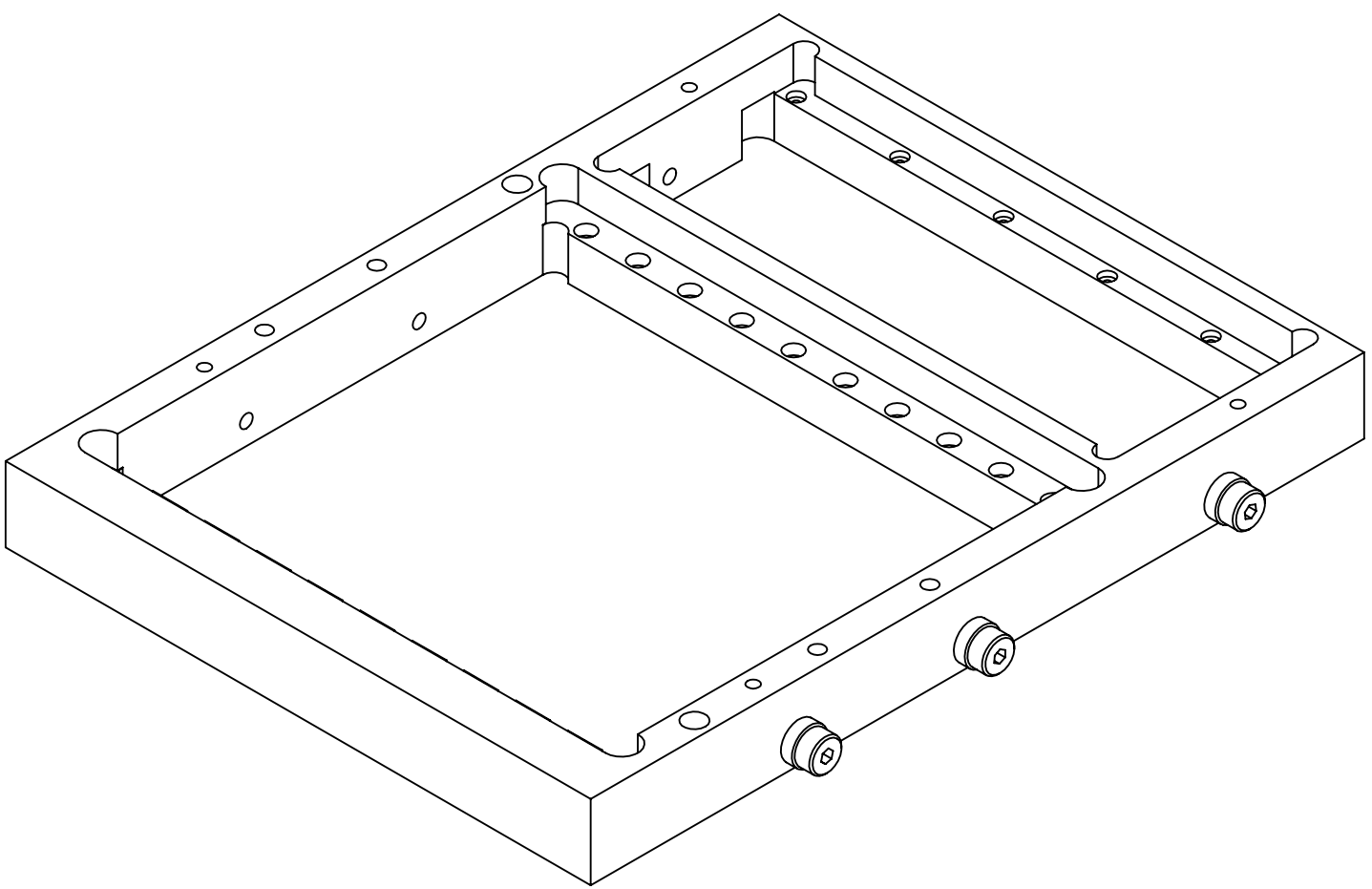
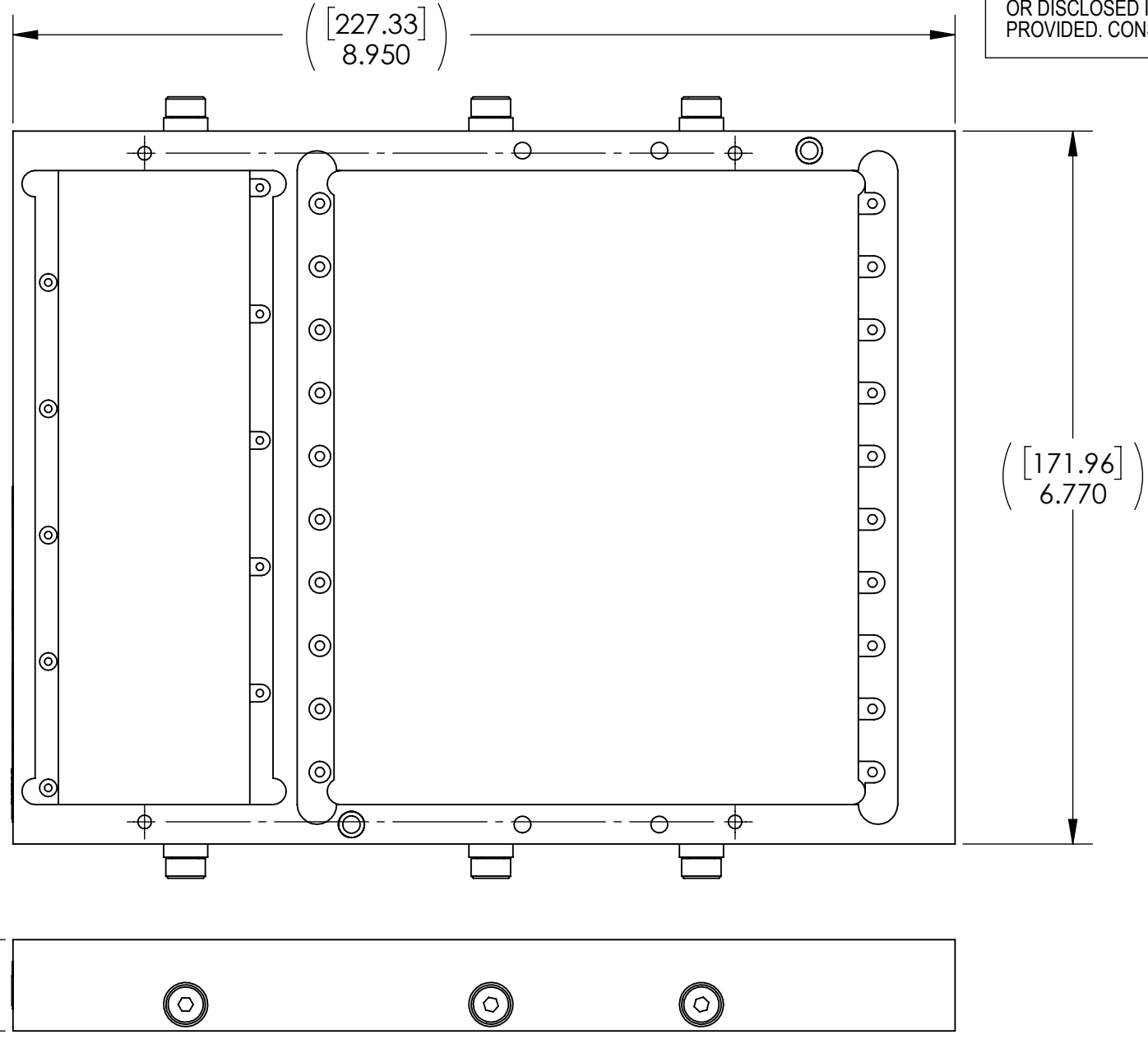
C

B

B

A

A



4X  $\phi$  .129 [3.26] THRU ALL  
 $\square$   $\phi$  .219 [5.56]  $\nabla$  .150 [3.81]

KEYING PIN LOCATIONS (4 TOTAL)

- 4. FOR OPTIONAL KEYING KIT, USE VPC P/N 310118112
- 3. MATERIALS:  
FRAME COMPONENTS - ALUMINUM ALLOY, CHROMATED  
BEARINGS - ALLOY STEEL
- 2. MATING RCV P/N - 310104482
- 1. FOR APPLICATION USE & CARE INFORMATION CONSULT VPC USERS GUIDE @WWW.VPC.COM

NOTES:

<b>CUSTOMER DRAWING</b>			
<b>VIRGINIA PANEL CORPORATION</b> WWW.VPC.COM			
<b>ITA, G10X</b>			
RELATIVE CONNECTOR POSITIONS AND WIRE ROUTING ARE GENERIC AND MAY VARY WITH PINOUT	DIMENSIONS ARE SHOWN AS:	SIZE	CAGE CODE
	[MILLIMETERS] INCHES	C	18117
		DWG. NO.	REV
		410104818	D
SCALE: 2:3	410104818	1/7/2020	SHEET 1 OF 1

4

3

2

1