

4

3

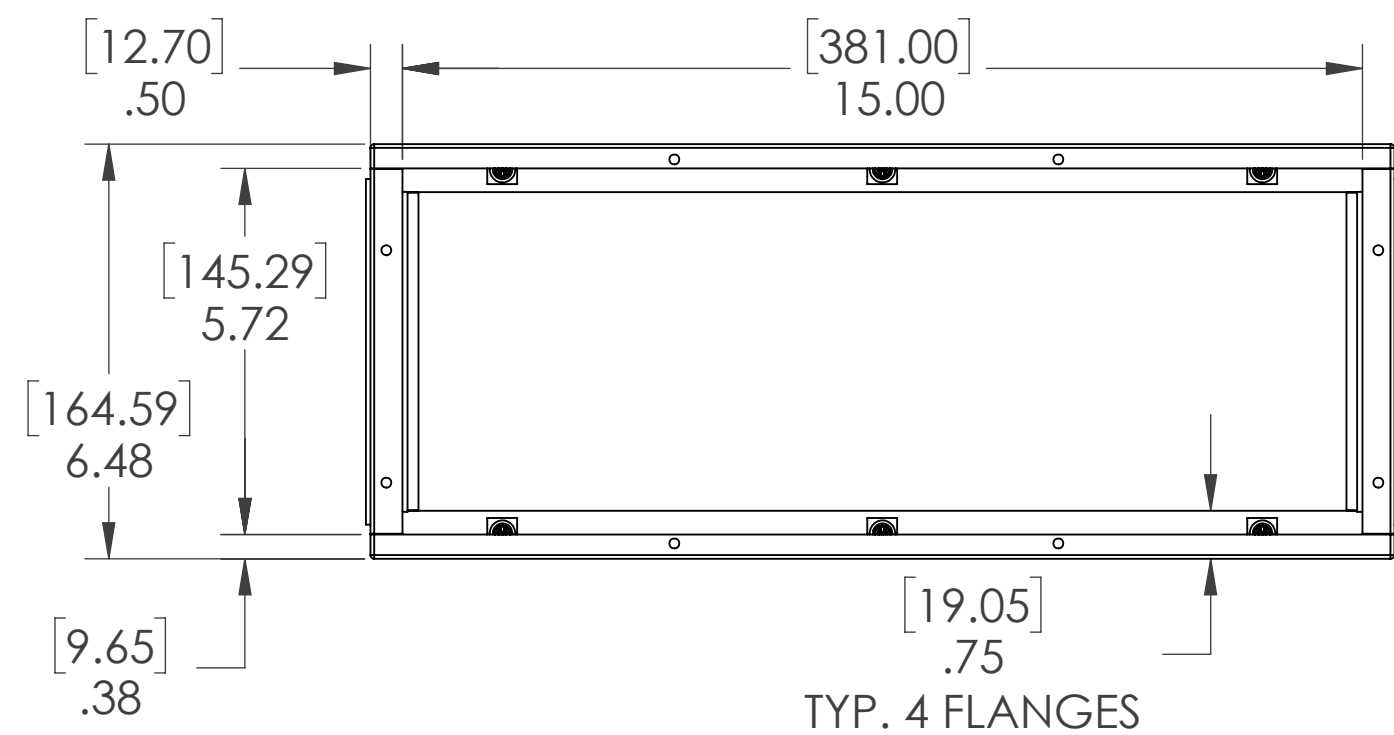
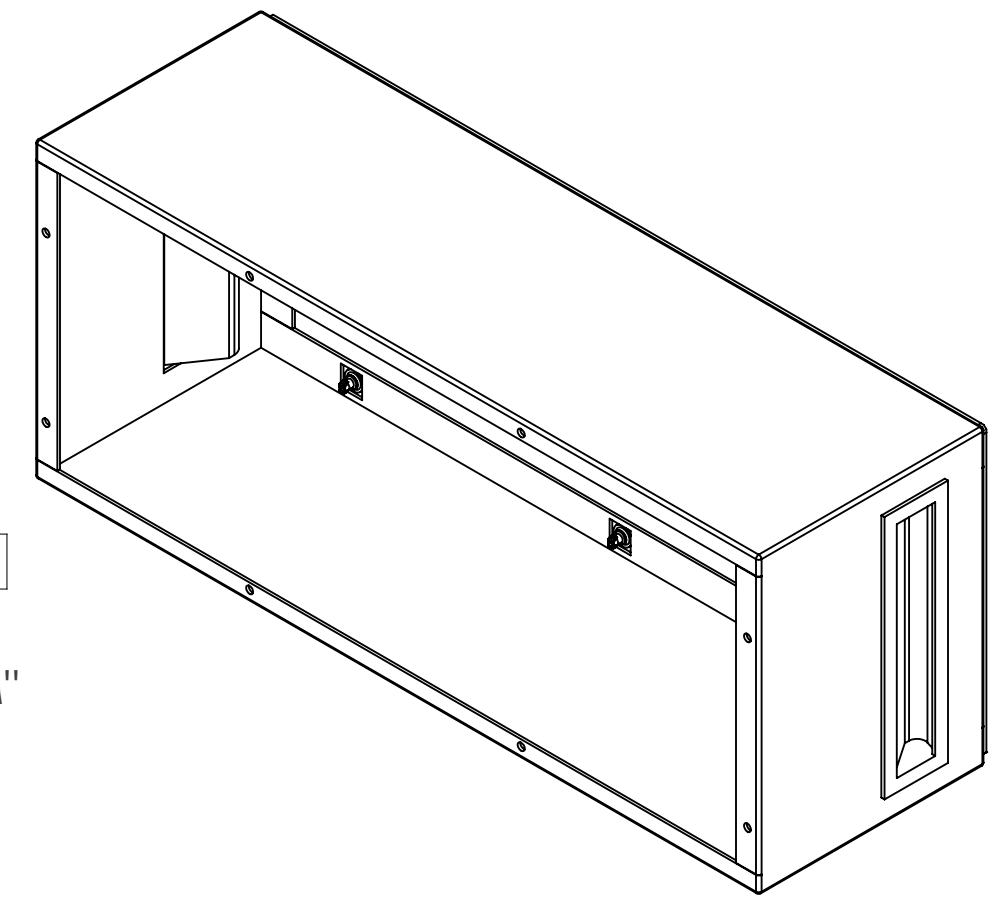
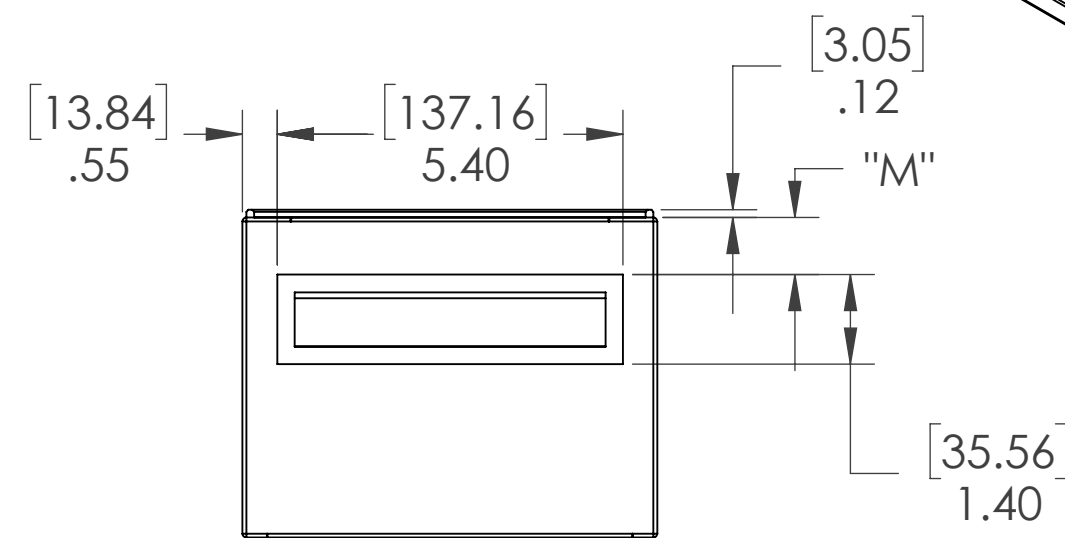
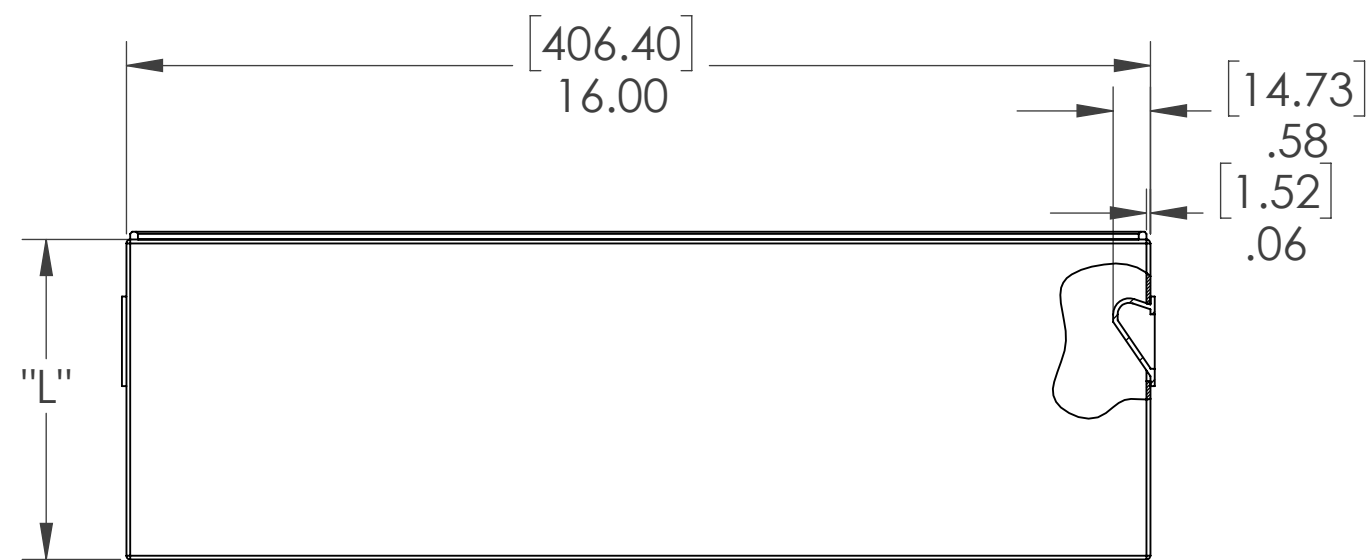
2

1

DO NOT SCALE DRAWING

THE INFORMATION CONTAINED HEREIN IS THE EXCLUSIVE PROPERTY OF VIRGINIA PANEL CORPORATION AND IS SUBMITTED FOR USE BY THE CUSTOMER ONLY. THE DATA SHALL NOT BE DUPLICATED, USED, OR DISCLOSED IN WHOLE OR IN PART FOR ANY PURPOSE OTHER THAN TO MAINTAIN THE EQUIPMENT PROVIDED. CONSULT WITH VIRGINIA PANEL CORPORATION ENGINEERING IF MORE DETAIL IS REQUIRED.

REVISIONS			
REV	DESCRIPTION	DATE	ENGR
H	ECN #11215	3/15/21	J HARDIGREE



PART NO.	DIM "L"	DIM "M"
410112255	2.00"	0.38"
410112344	12.00"	1.00"
410112369	5.00"	1.00"

CUSTOMER DRAWING
VIRGINIA PANEL CORPORATION
 WWW.VPC.COM

ENCL ITA MODULE

RELATIVE CONNECTOR POSITIONS AND WIRE ROUTING ARE GENERIC AND MAY VARY WITH PINGOUT		SIZE	CAGE CODE	DWG. NO.	REV
DIMENSIONS ARE SHOWN AS:		C	18117	4134 03 000	H
[MILLIMETERS]		SCALE: 1:1			
[INCHES]		413403000	4/1/93	SHEET 1 OF 2	

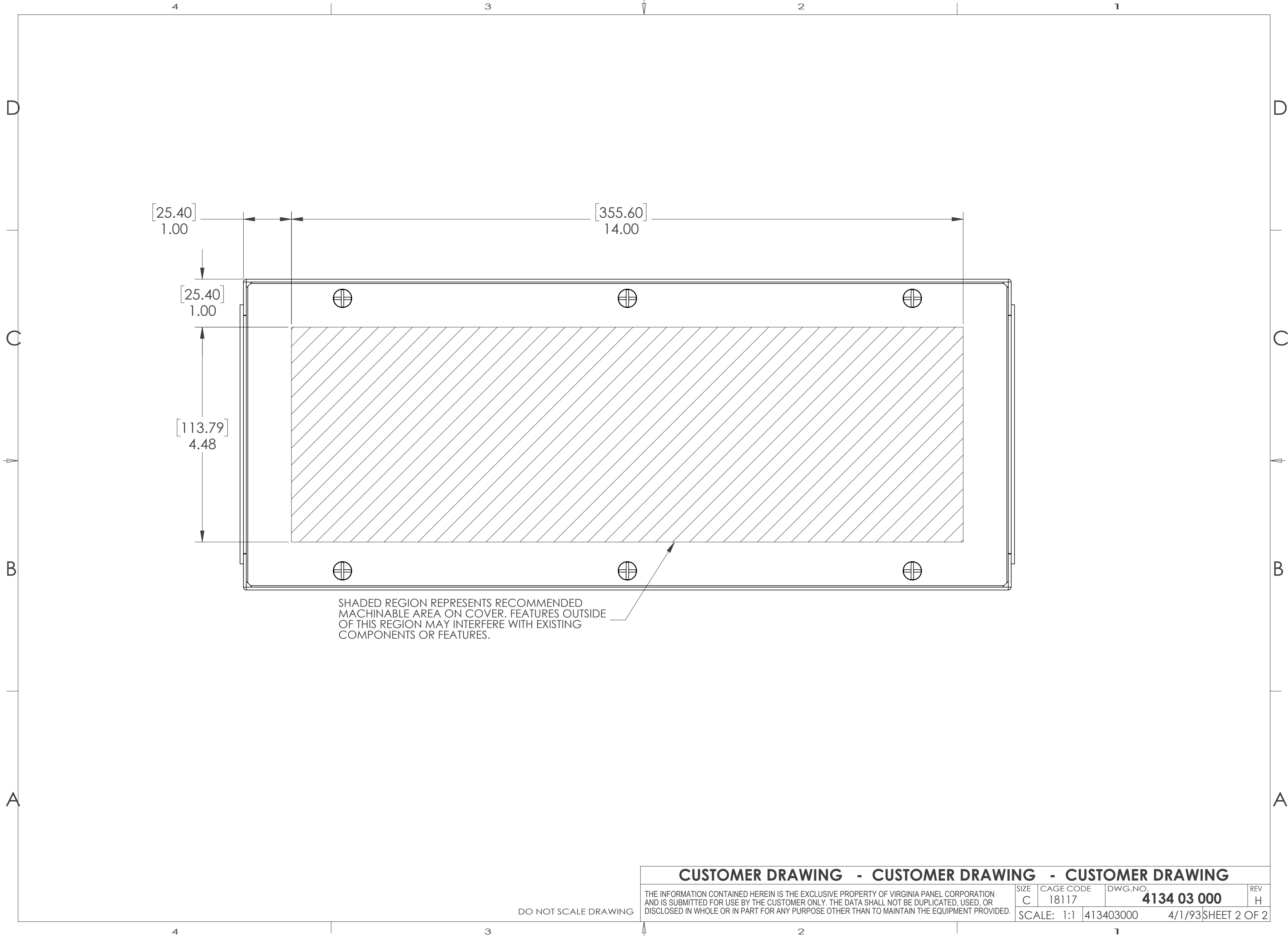
1. FOR APPLICATION USE & CARE INFORMATION CONSULT VPC USERS GUIDE @WWW.VPC.COM
NOTES:

4

3

2

1



CUSTOMER DRAWING - CUSTOMER DRAWING - CUSTOMER DRAWING

<small>THE INFORMATION CONTAINED HEREIN IS THE EXCLUSIVE PROPERTY OF VIRGINIA PANEL CORPORATION AND IS SUBMITTED FOR USE BY THE CUSTOMER ONLY. THE DATA SHALL NOT BE DUPLICATED, USED, OR DISCLOSED IN WHOLE OR IN PART FOR ANY PURPOSE OTHER THAN TO MAINTAIN THE EQUIPMENT PROVIDED.</small>				<small>SIZE</small> C	<small>CAGE CODE</small> 18117	<small>DWG. NO.</small> 4134 03 000	<small>REV</small> H
<small>SCALE: 1:1</small>		<small>413403000</small>	<small>4/1/93</small>	<small>SHEET 2 OF 2</small>			

DO NOT SCALE DRAWING