

4

3

2

1

DO NOT SCALE DRAWING

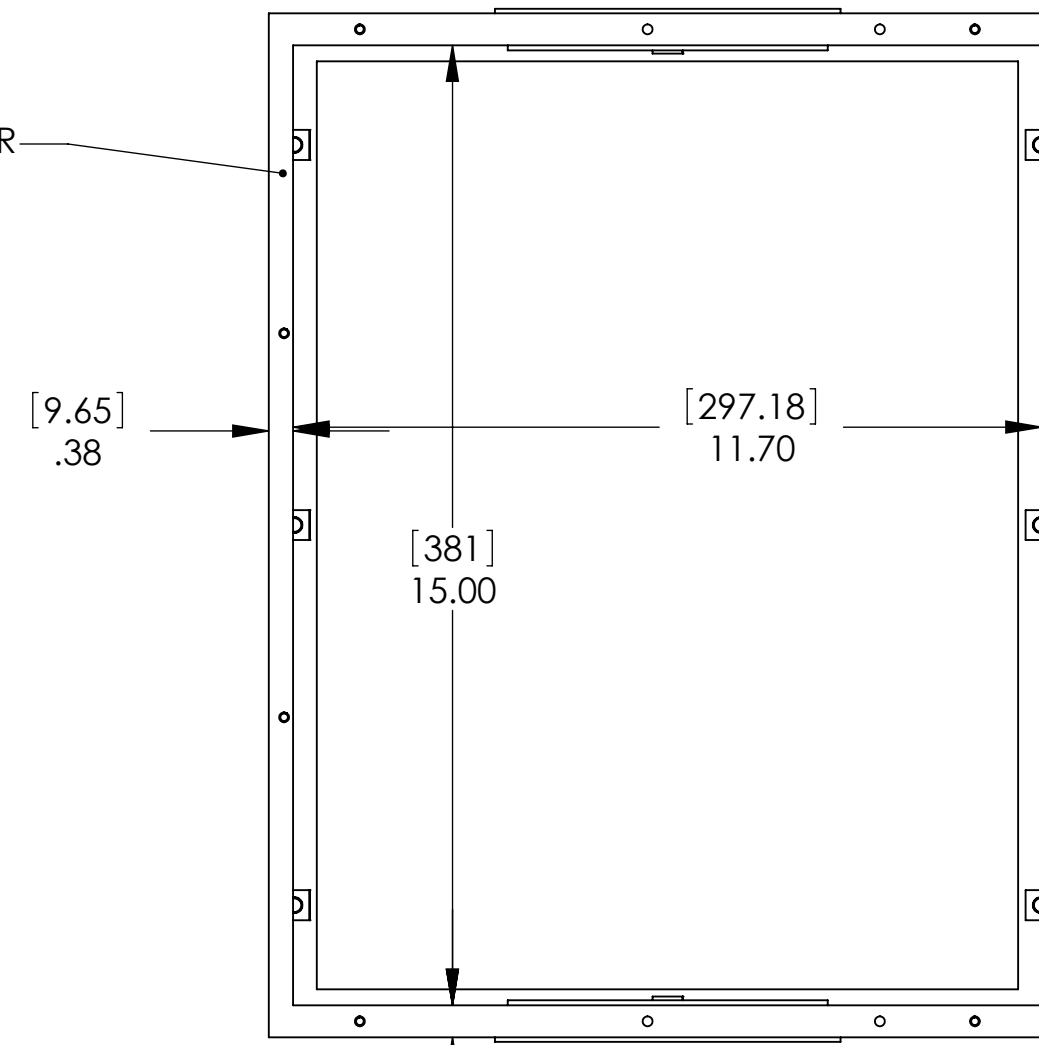
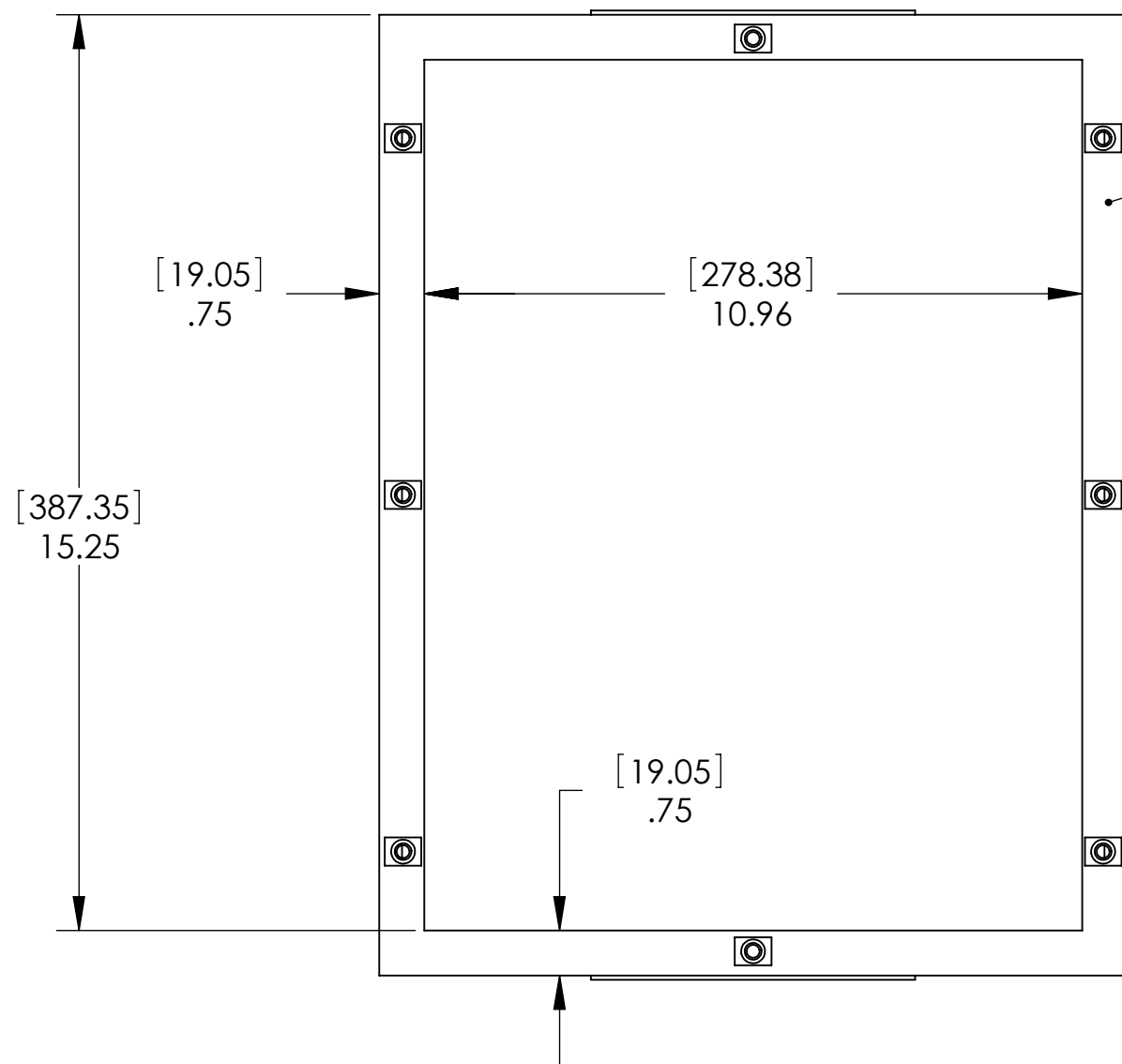
THE INFORMATION CONTAINED HEREIN IS THE EXCLUSIVE PROPERTY OF VPC AND IS PERMITTED FOR USE BY THE CUSTOMER ONLY. THE DATA SHALL NOT BE DUPLICATED, USED, OR DISCLOSED IN WHOLE OR IN PART FOR ANY PURPOSE OTHER THAN TO MAINTAIN THE EQUIPMENT PROVIDED. CONSULT WITH VPC ENGINEERING IF MORE DETAIL IS REQUIRED.

REVISIONS			
REV	DESCRIPTION	DATE	ENGR
E	ECN #13763	10/23/23	J HARDIGREE

D

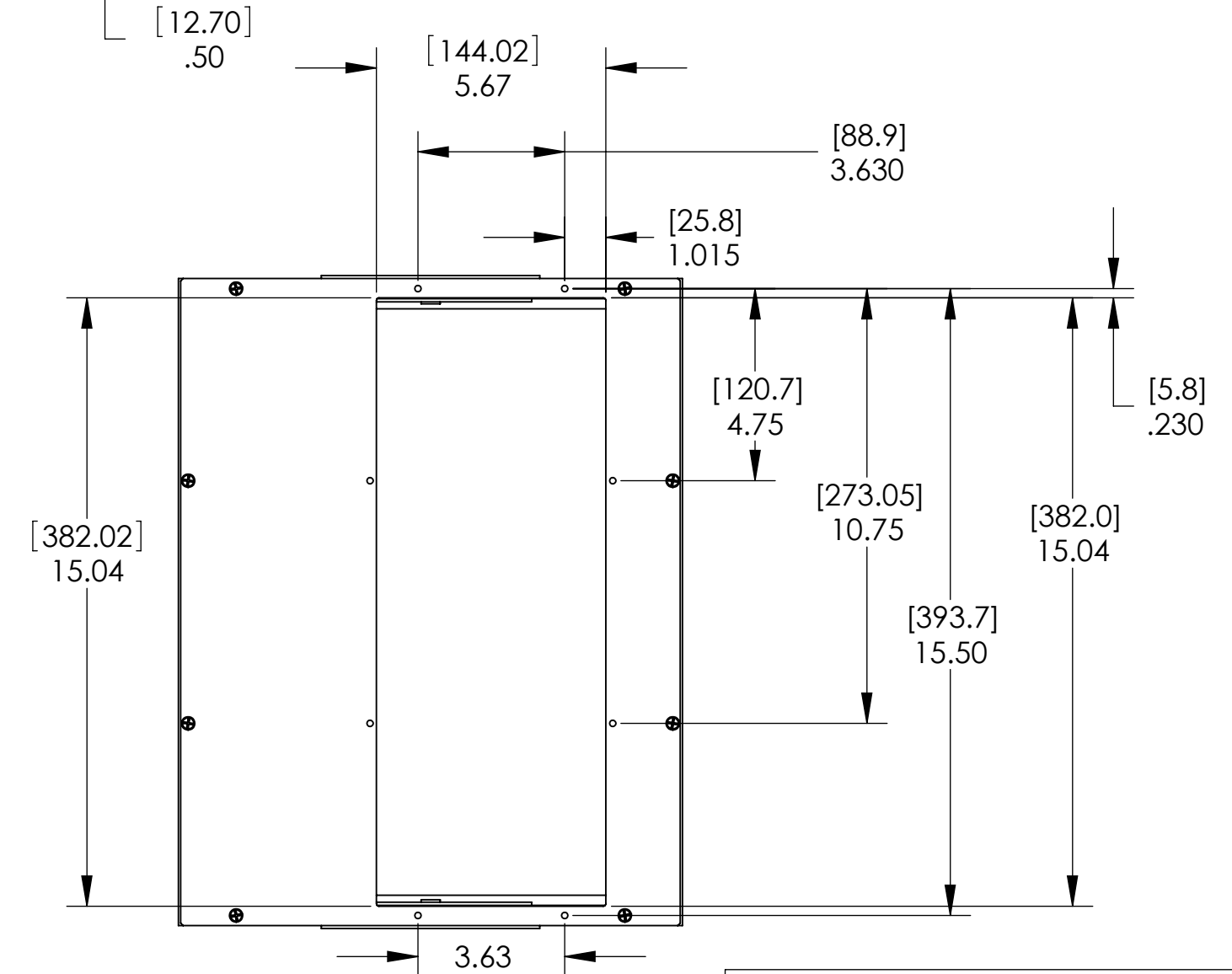
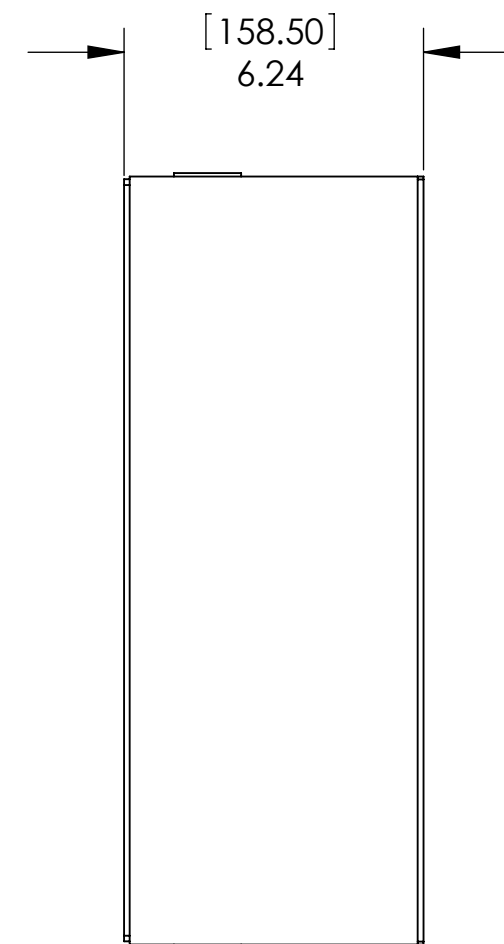
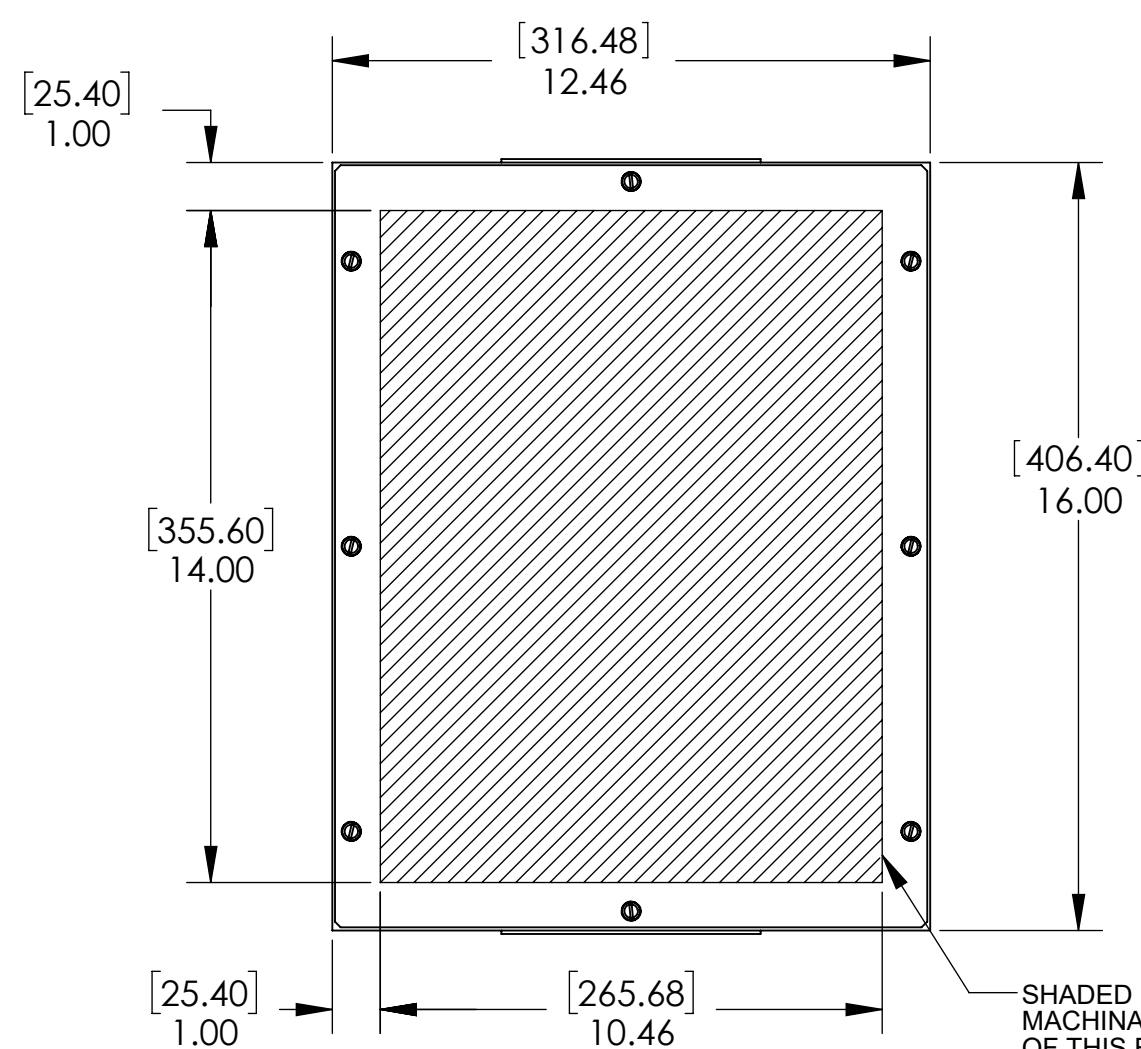
D

VIEWS SHOWN WITHOUT COVER PLATE AND ADAPTER PLATE



C

C



B

B

SHADED REGION REPRESENTS RECOMMENDED MACHINABLE AREA ON COVER. FEATURES OUTSIDE OF THIS REGION MAY INTERFERE WITH EXISTING COMPONENTS OR FEATURES.

A

A

1. FOR MORE INFORMATION, VISIT VPC.COM.  
NOTES:

DIMENSIONS ARE SHOWN AS:			
[MILLIMETERS]	SIZE C	CAGE CODE 18117	DWG. NO. 410112368
INCHES	SCALE: NONE	410112368	12/10/03 SHEET 1

**CUSTOMER DRAWING**  
**VIRGINIA PANEL CORPORATION**  
 WWW.VPC.COM  
**ENCLOSURE, 9025,**  
**6" DEPTH**

4

3

2

1