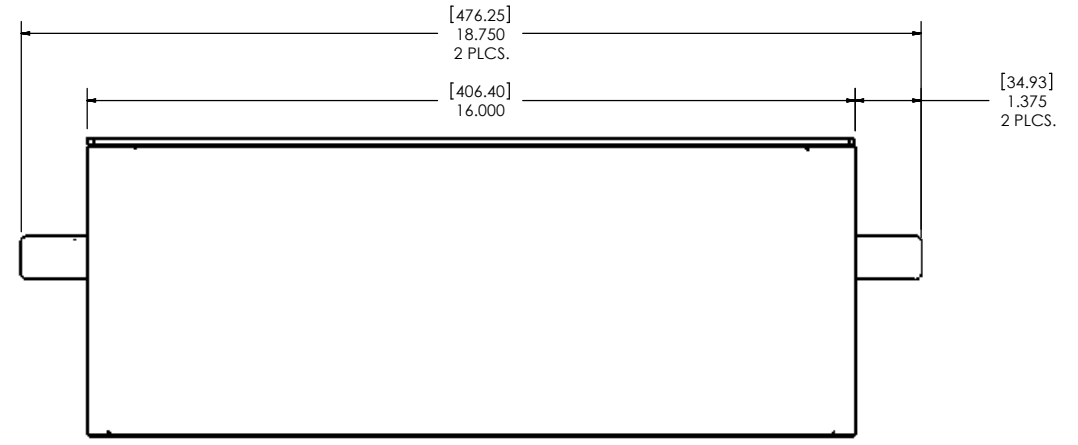
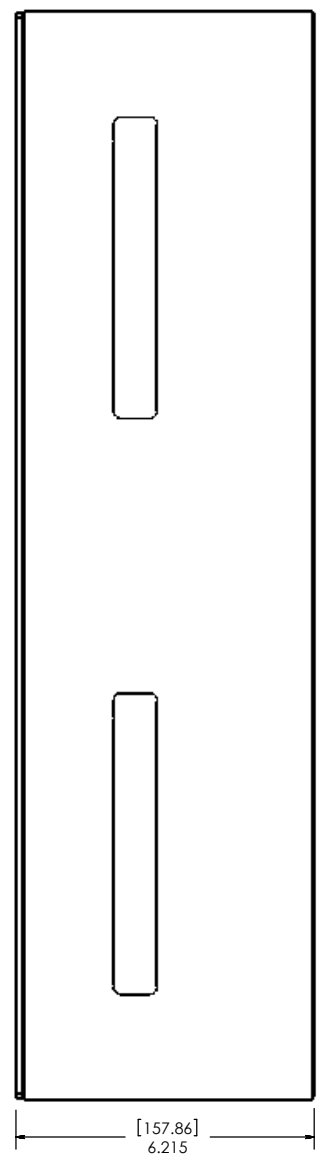
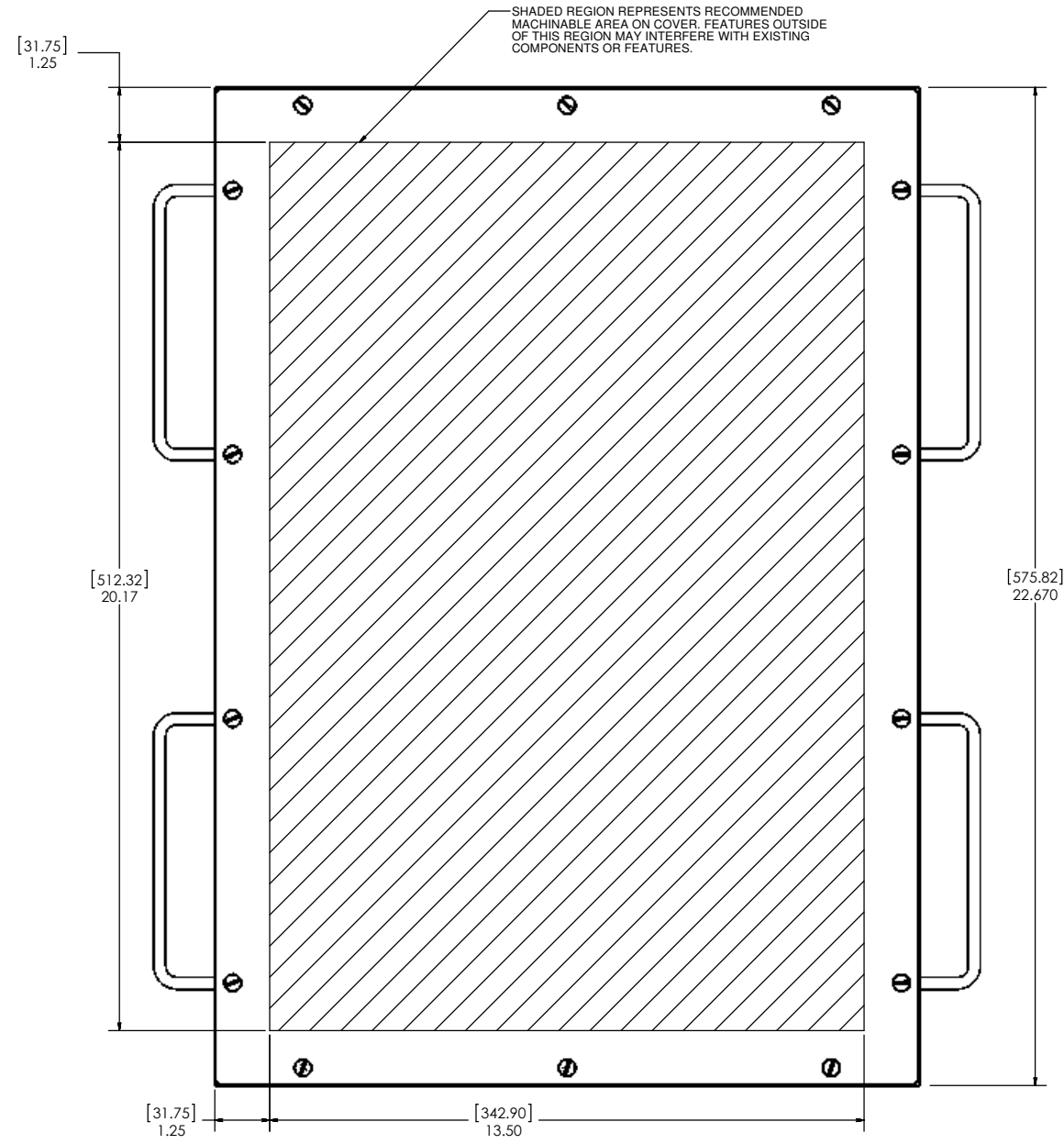


8 7 6 5 4 3 2 1

DO NOT SCALE DRAWING

THE INFORMATION CONTAINED HEREIN IS THE EXCLUSIVE PROPERTY OF VIRGINIA PANEL CORPORATION AND IS SUBMITTED FOR USE BY THE CUSTOMER ONLY. THE DATA SHALL NOT BE DUPLICATED, USED OR DISCLOSED IN WHOLE OR IN PART FOR ANY PURPOSE OTHER THAN TO MAINTAIN THE EQUIPMENT PROVIDED. CONSULT WITH VIRGINIA PANEL CORPORATION ENGINEERING IF MORE DETAIL IS REQUIRED.

REVISIONS			
REV	DESCRIPTION	DATE	ENGR
D	ECN #4638	5/21/13	LRL



D
C
B
A

D
C
B
A

2. SOME HARDWARE SHIPPED LOOSE
 QTY. 12 - CAP SCREW 6-32 x .38 SST
 QTY. 12 - #6 LOCK WASHER
 1. FOR APPLICATION USE AND CARE INFORMATION CONSULT VPC USERS GUIDE @ WWW.VPC.COM
 NOTES:

CUSTOMER DRAWING
VIRGINIA PANEL CORPORATION
 WWW.VPC.COM
3 TIER ENCLOSURE ASM

DIMENSIONS ARE SHOWN AS:	SIZE	CAGE CODE	DWG NO.	REV
[MILLIMETERS]	D	18117	410112561	D
INCHES	SCALE: 1:2	410112561	1/29/01	SHEET 1 OF 1

8 7 6 5 4 3 2 1