

8

7

6

5

4

3

2

1

DO NOT SCALE DRAWING

THE INFORMATION CONTAINED HEREIN IS THE EXCLUSIVE PROPERTY OF VIRGINIA PANEL CORPORATION AND IS SUBMITTED FOR USE BY THE CUSTOMER ONLY. THE DATA SHALL NOT BE DUPLICATED, USED OR DISCLOSED IN WHOLE OR IN PART FOR ANY PURPOSE OTHER THAN TO MAINTAIN THE EQUIPMENT PROVIDED. CONSULT WITH VIRGINIA PANEL CORPORATION ENGINEERING IF MORE DETAIL IS REQUIRED.

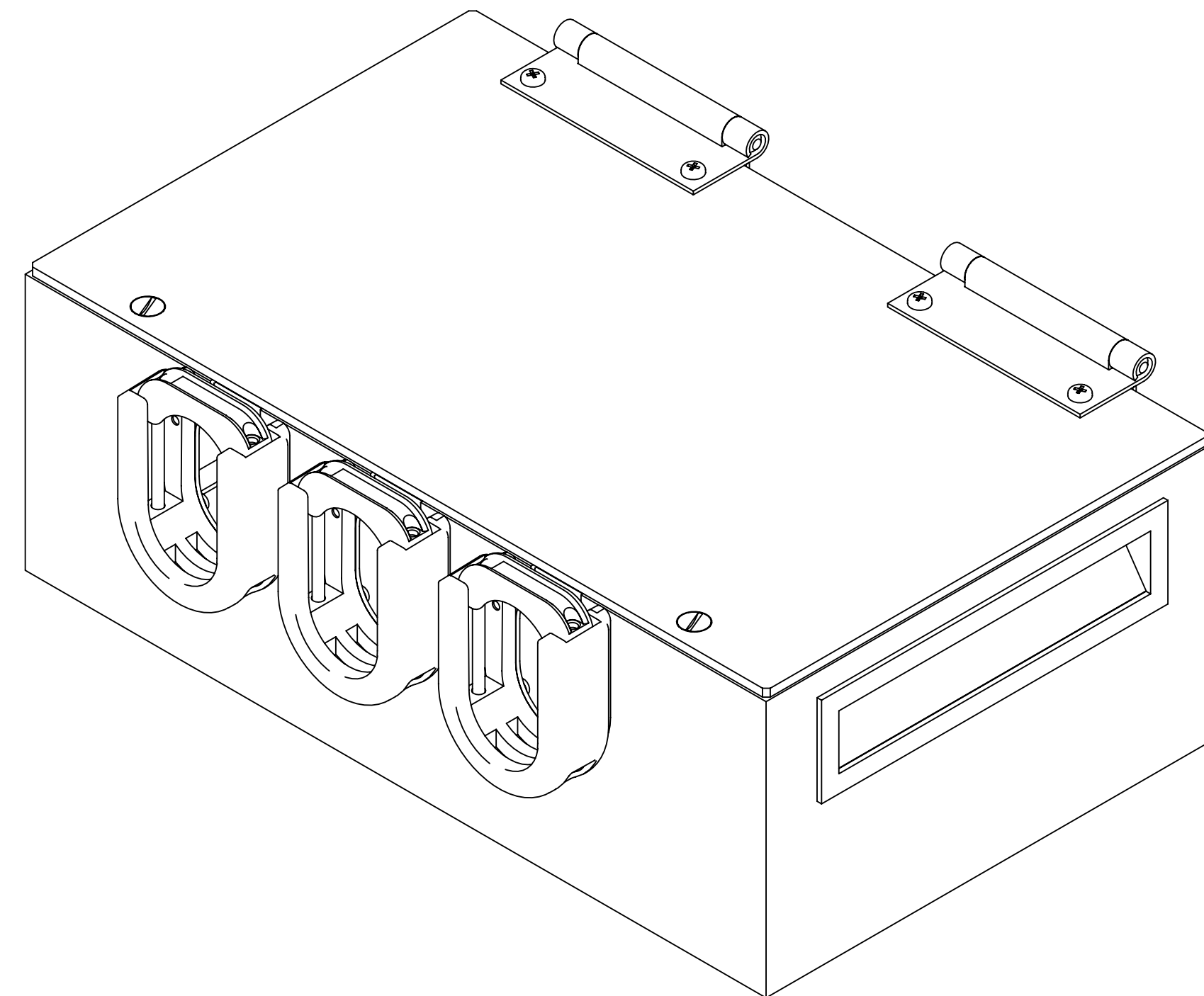
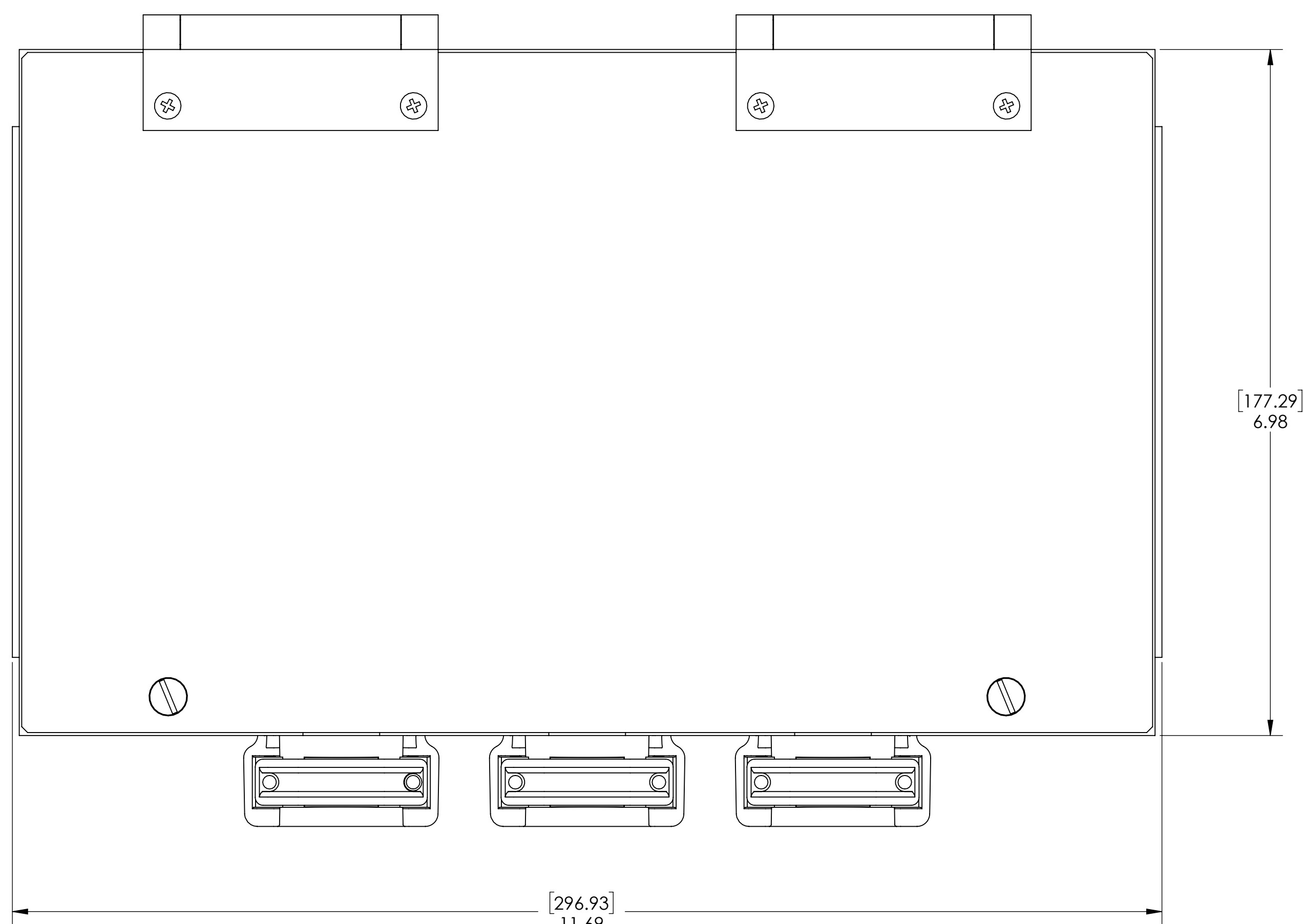
REV		DESCRIPTION	DATE	ENGR
C	ECN #9251		7/11/19	R HERRON

D

C

B

A

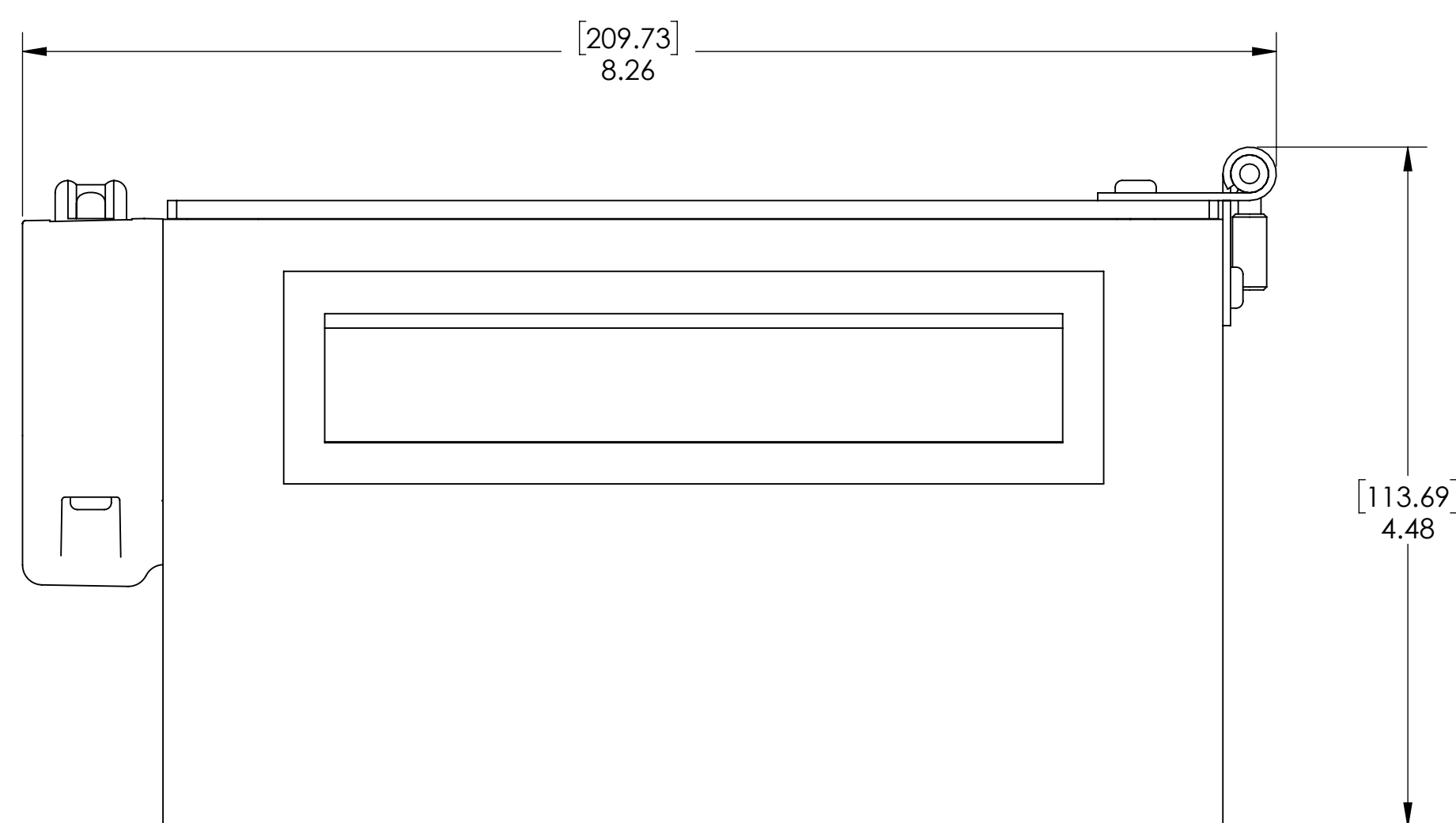
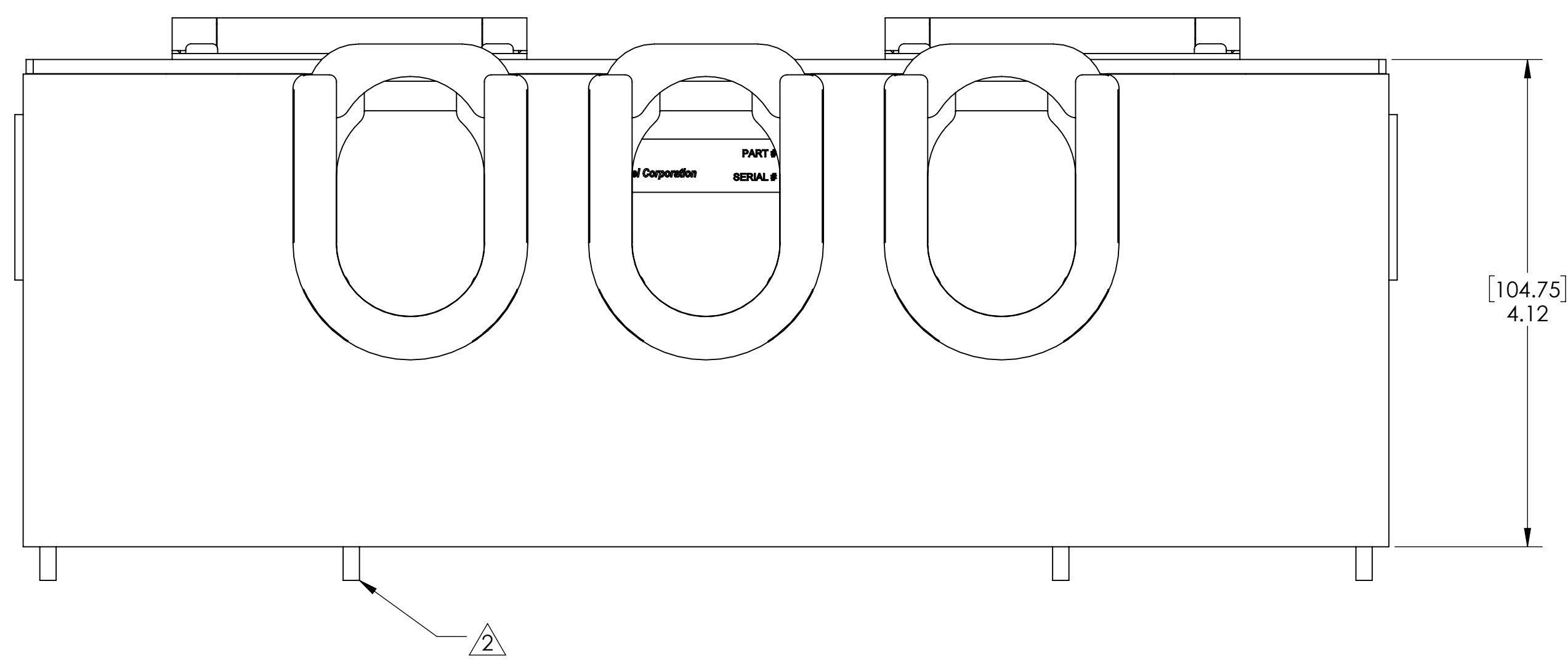


D

C

B

A



△ MOUNTING HARDWARE INCLUDED, BAGGED SEPERATELY.

NOTES:
1. FOR APPLICATION USE AND CARE INFORMATION CONSULT VPC USERS GUIDE @ WWW.VPC.COM

8

7

6

5

4

3

2

1

CUSTOMER DRAWING			
VIRGINIA PANEL CORPORATION WWW.VPC.COM			
ENCLOSURE 2118 4" W/ 3 CBL CLMP			
DIMENSIONS ARE SHOWN AS:	SIZE	CAGE CODE	DWG NO.
[MILLIMETERS]	D	18117	410112664
INCHES	SCALE: 1:1	410112664	SHEET 1 OF 1