

4

3

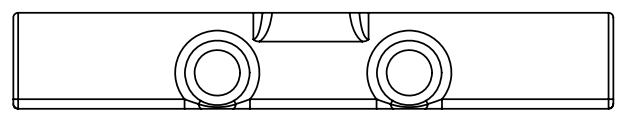
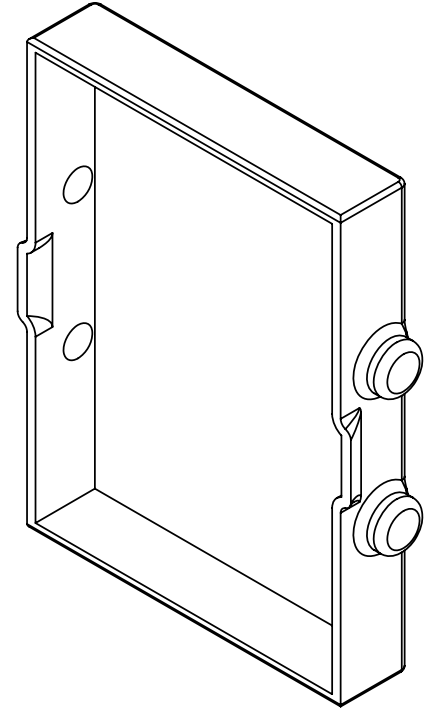
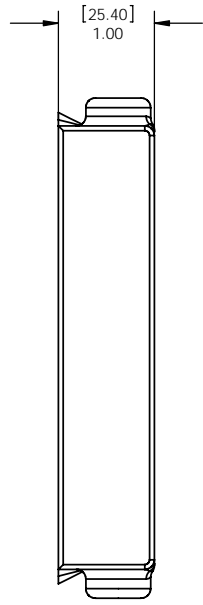
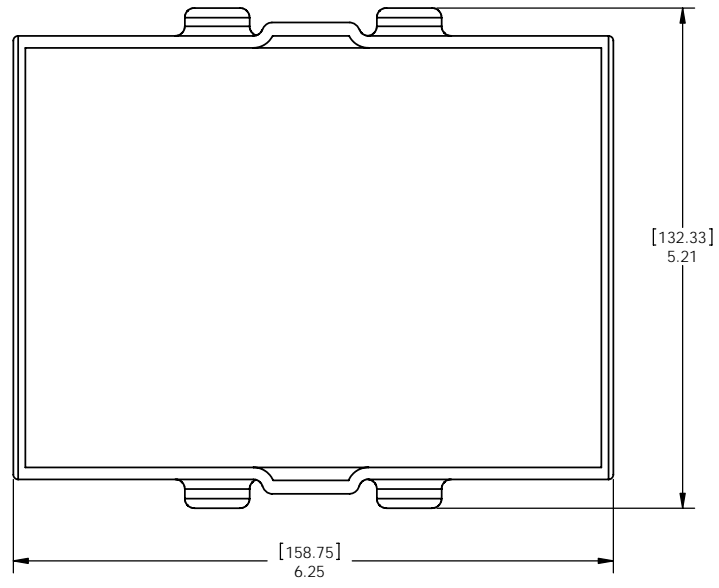
2

1

DO NOT SCALE DRAWING

THE INFORMATION CONTAINED HEREIN IS THE EXCLUSIVE PROPERTY OF VIRGINIA PANEL CORP. AND IS SUBMITTED FOR USE BY THE CUSTOMER ONLY. THE DATA SHALL NOT BE DUPLICATED, USED, OR DISCLOSED IN WHOLE OR IN PART FOR ANY PURPOSE OTHER THAN TO MAINTAIN THE EQUIPMENT PROVIDED. CONSULT WITH VIRGINIA PANEL CORPORATION ENGINEERING IF MORE DETAIL IS REQUIRED.

REVISIONS				
ZONE	REV	DESCRIPTION	DATE	APPROVED
	C	EC# 07-410-0078	9/4/07	RD



2 THIS PROTECTICE COVER FITS G6 ITA PART NUMBERS: 410104118, 410104271, 410104273, 410104331

1 FOR APPLICATION, USE & CARE INFORMATION CONSULT VPC USERS GUIDE @WWW.VPC.COM

NOTES:

CUSTOMER DRAWING - CUSTOMER DRAWING

SOLIDWORKS DRAWING FILE	DIMENSIONS ARE SHOWN AS: (millimeters) INCHES		SIGNATURES		DATE	VIRGINIA PANEL CORPORATION WWW.VPC.COM		
	DR	E. HUBBARD	3/1/05					
	CHK					PROTECTIVE COVER, ITA, G6		
	ENG							
	PROD							
MATERIAL	ELECTRICAL GRADE PVC	ASSY			SIZE	CAGE CODE	DWG.NO.	REV
FINISH	BLACK MATTE	APPD			C	18117	410112684	C
		SCALE: NONE	3/1/05	410112684	SHEET		1 OF 1	

4

3

2

1

D
C
B
A

D
C
B
A