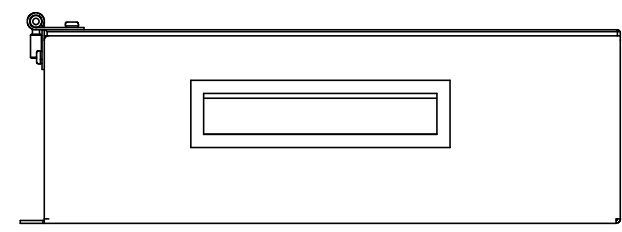
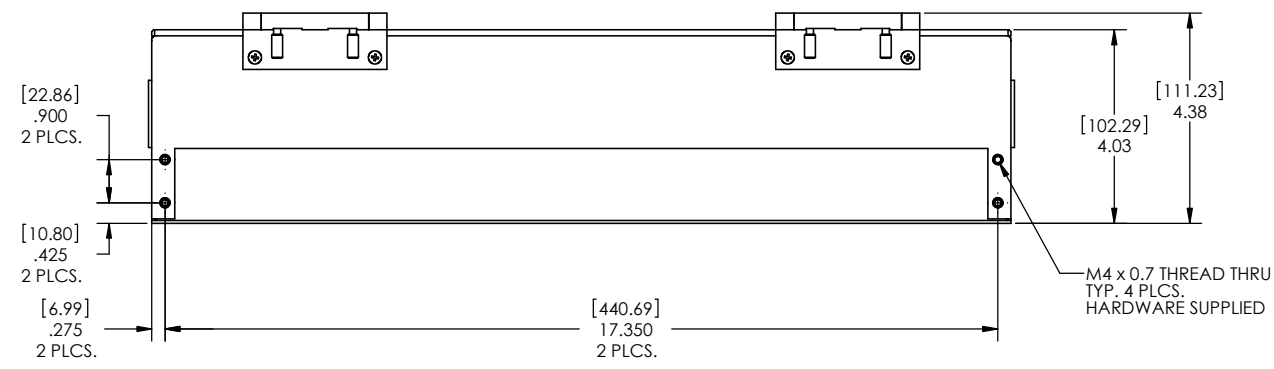
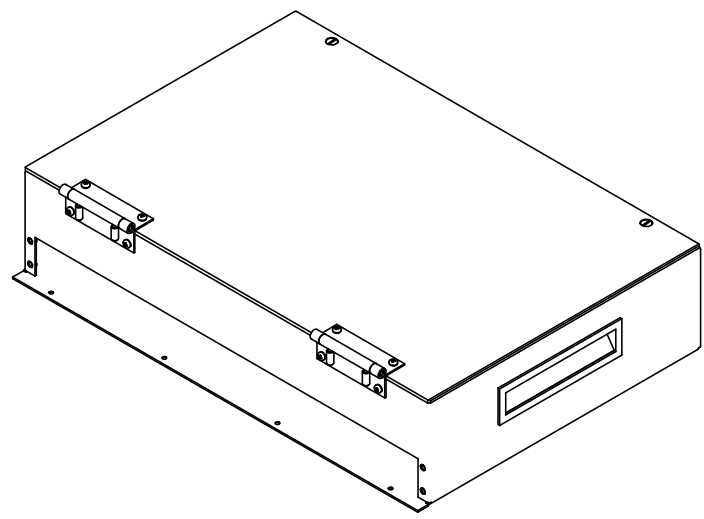
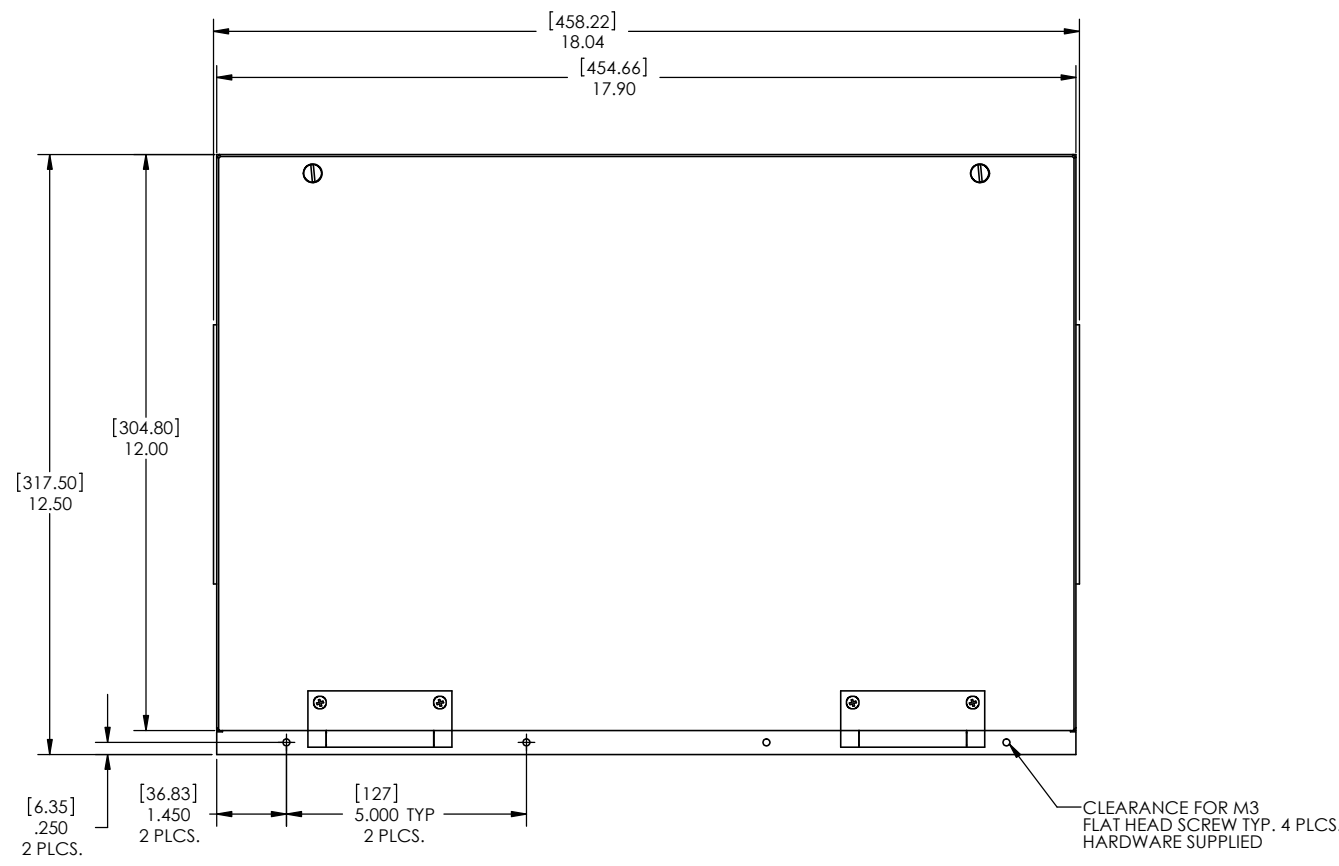


DO NOT SCALE DRAWING

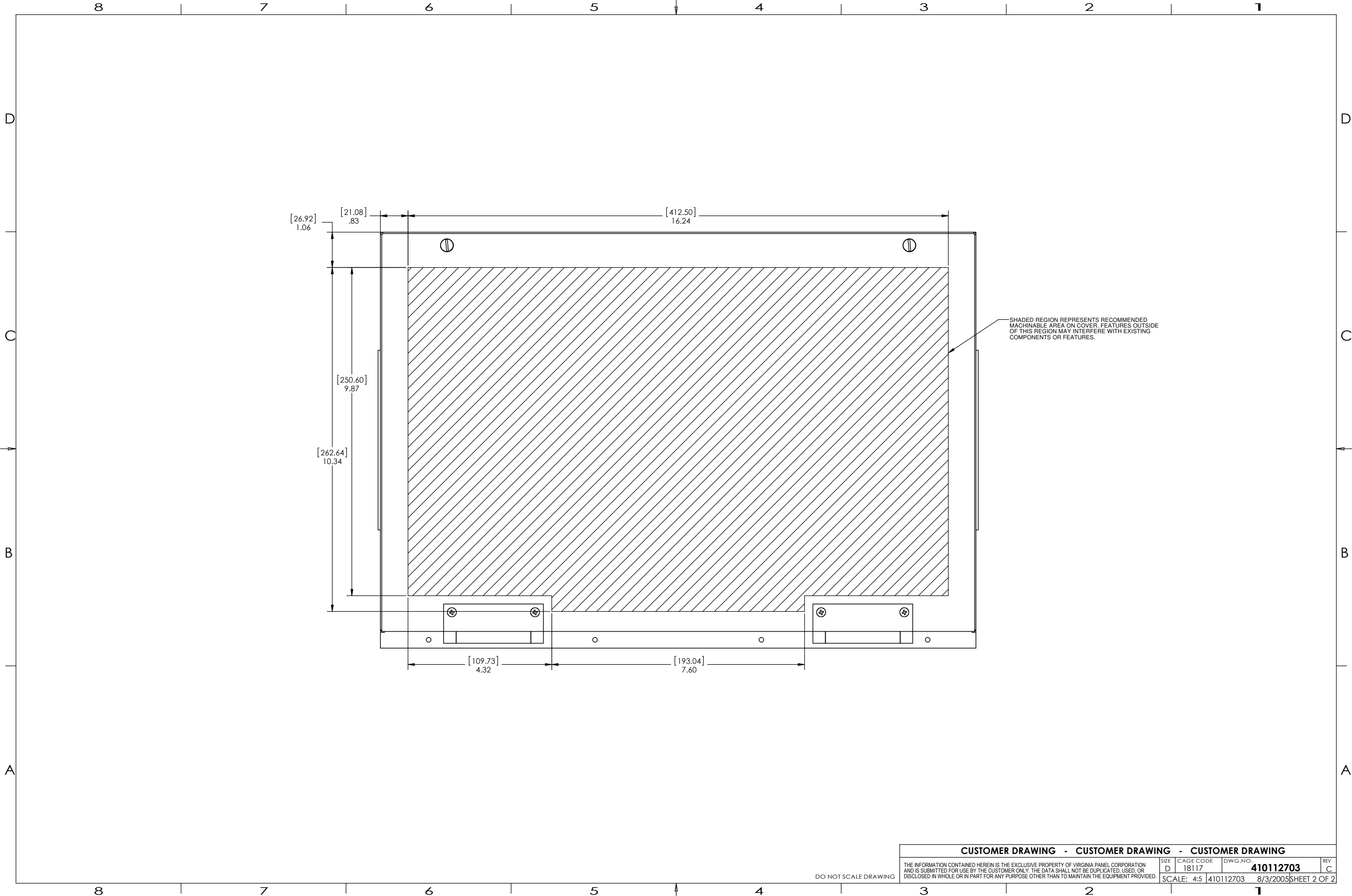
THE INFORMATION CONTAINED HEREIN IS THE EXCLUSIVE PROPERTY OF VIRGINIA PANEL CORPORATION AND IS SUBMITTED FOR USE BY THE CUSTOMER ONLY. THE DATA SHALL NOT BE DUPLICATED, USED, OR DISCLOSED IN WHOLE OR IN PART FOR ANY PURPOSE OTHER THAN TO MAINTAIN THE EQUIPMENT PROVIDED. CONSULT WITH VIRGINIA PANEL CORPORATION ENGINEERING IF MORE DETAIL IS REQUIRED.

REVISIONS			
REV	DESCRIPTION	DATE	ENGR
C	ECN #4625	4/15/13	L LOCKRIDGE



NOTES:  
 2. FOR USE WITH ITA 410122100  
 1. FOR APPLICATION USE AND CARE INFORMATION CONSULT VPC USERS GUIDE @ WWW.VPC.COM

CUSTOMER DRAWING			
VIRGINIA PANEL CORPORATION WWW.VPC.COM			
ENCLOSURE, S6 4 X 18 X 12			
RELATIVE CONNECTOR POSITIONS AND WIRE ROUTING ARE GENERIC AND MAY VARY WITH PRODUCT	SIZE	CAGE CODE	IDWG NO.
DIMENSIONS ARE SHOWN AS: [MILLIMETERS] INCHES	D 18117	410112703	C
SCALE: 1:2	410112703	8/3/2005	SHEET 1 OF 2



CUSTOMER DRAWING - CUSTOMER DRAWING - CUSTOMER DRAWING			
SIZE	CAGE CODE	DWG. NO.	REV
D	18117	410112703	C
SCALE: 4:5		410112703	8/3/2005 SHEET 2 OF 2

DO NOT SCALE DRAWING

THE INFORMATION CONTAINED HEREIN IS THE EXCLUSIVE PROPERTY OF VIRGINIA PANEL CORPORATION AND IS SUBMITTED FOR USE BY THE CUSTOMER ONLY. THE DATA SHALL NOT BE DUPLICATED, USED, OR DISCLOSED IN WHOLE OR IN PART FOR ANY PURPOSE OTHER THAN TO MAINTAIN THE EQUIPMENT PROVIDED.