

4

3

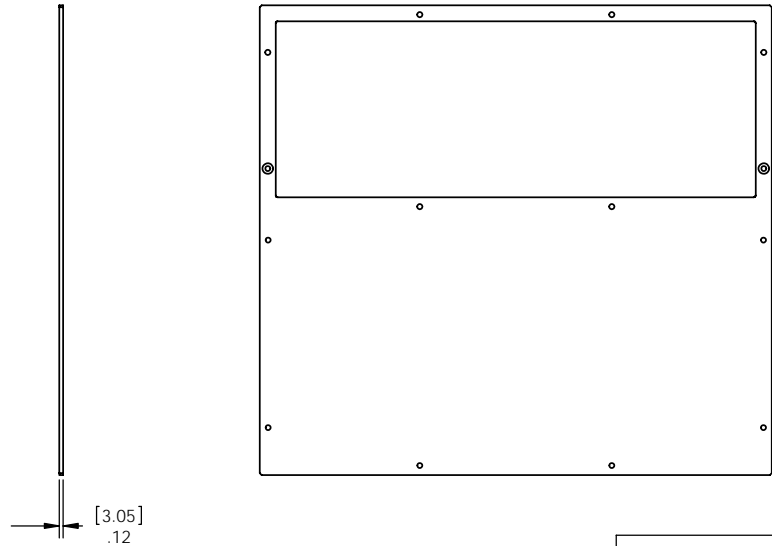
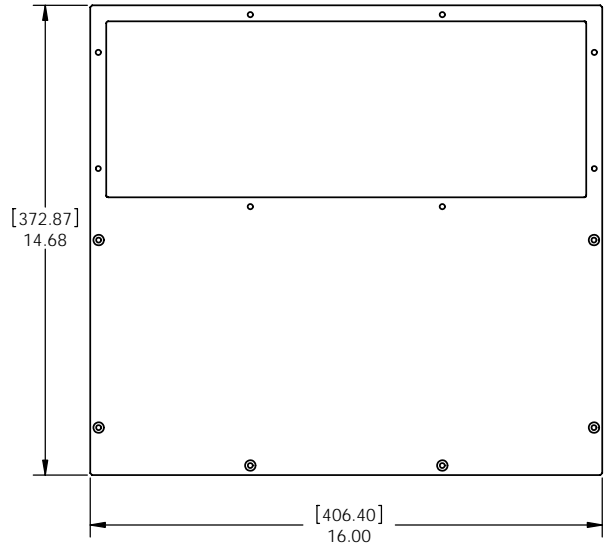
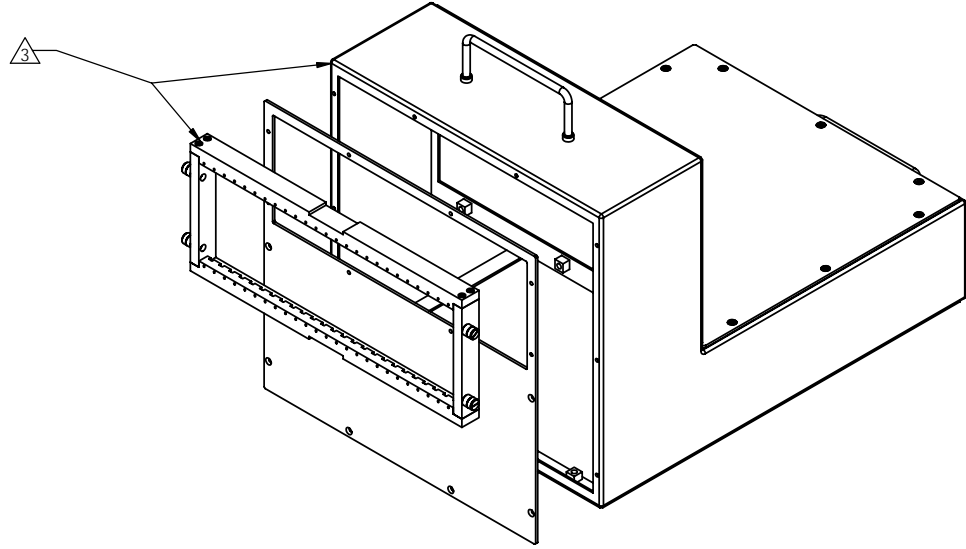
2

1

DO NOT SCALE DRAWING

THE INFORMATION CONTAINED HEREIN IS THE EXCLUSIVE PROPERTY OF VIRGINIA PANEL CORPORATION AND IS SUBMITTED FOR USE BY THE CUSTOMER ONLY. THE DATA SHALL NOT BE DUPLICATED, USED, OR DISCLOSED IN WHOLE OR IN PART FOR ANY PURPOSE OTHER THAN TO MAINTAIN THE EQUIPMENT PROVIDED. CONSULT WITH VIRGINIA PANEL CORPORATION ENGINEERING IF MORE DETAIL IS REQUIRED.

REVISIONS			
REV	DESCRIPTION	DATE	ENGR
A	ORIGINAL RELEASE - ECN #07-410-0021	4/27/07	W MATHENY



- 3 L-SHAPED ENCLOSURE P/N 410112770 AND ITA FRAME P/N 410104111 ARE NOT INCLUDED
 2. HARDWARE IS INCLUDED TO FASTEN TO THE L-SHAPED ENCLOSURE P/N 410112770 AND ITA FRAME P/N 410104111.
 1. FOR APPLICATION USE & CARE INFORMATION CONSULT VPC USERS GUIDE @WWW.VPC.COM

NOTES:

CUSTOMER DRAWING			
VIRGINIA PANEL CORPORATION			
WWW.VPC.COM			
ADAPTER PLATE 9050VXI TO 9025			
USED FOR L-SHAPED ENCL			
DIMENSIONS ARE SHOWN AS:	SIZE	CAGE CODE	DWG. NO.
[MILLIMETERS]	C	18117	410112772
INCHES			
SCALE: NONE	410112772	4/27/07	SHEET 1 OF 1

4

3

2

1