

4

3

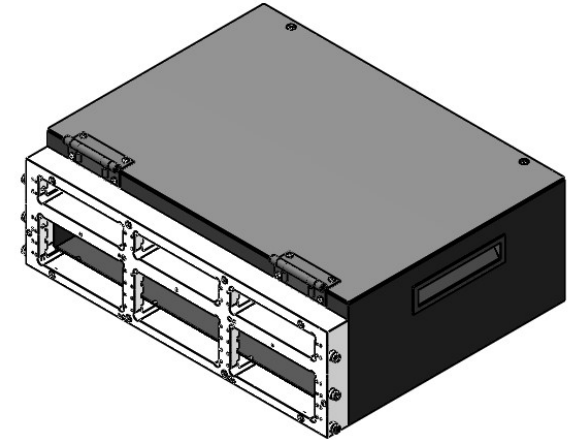
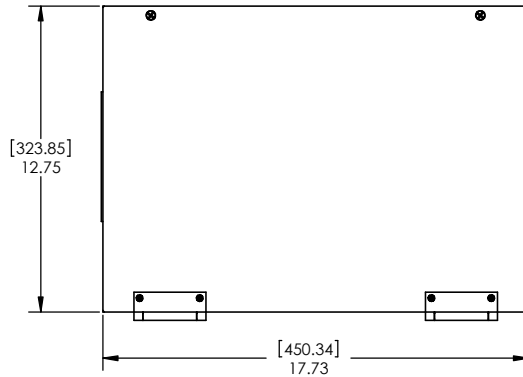
2

1

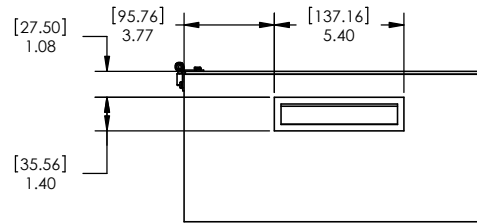
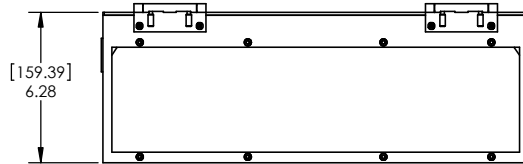
DO NOT SCALE DRAWING

THE INFORMATION CONTAINED HEREIN IS THE EXCLUSIVE PROPERTY OF VIRGINIA PANEL CORPORATION AND IS SUBMITTED FOR USE BY THE CUSTOMER ONLY. THE DATA SHALL NOT BE DUPLICATED, USED, OR DISCLOSED IN WHOLE OR IN PART FOR ANY PURPOSE OTHER THAN TO MAINTAIN THE EQUIPMENT PROVIDED. CONSULT WITH VIRGINIA PANEL CORPORATION ENGINEERING IF MORE DETAIL IS REQUIRED.

REVISIONS			
REV	DESCRIPTION	DATE	ENGR
D	ECN #13342	04/12/2023	RZ



ENCLOSURE SHOWN MOUNTED TO G12X ITA P/N 410104474 (NOT INCLUDED)



2. HARDWARE IS INCLUDED FOR USE WITH ITA P/N 410104474.
QTY. 8 - CAP SCREW M4 x 35 SST

1. FOR APPLICATION USE & CARE INFORMATION CONSULT VPC USERS GUIDE @WWW.VPC.COM
NOTES:

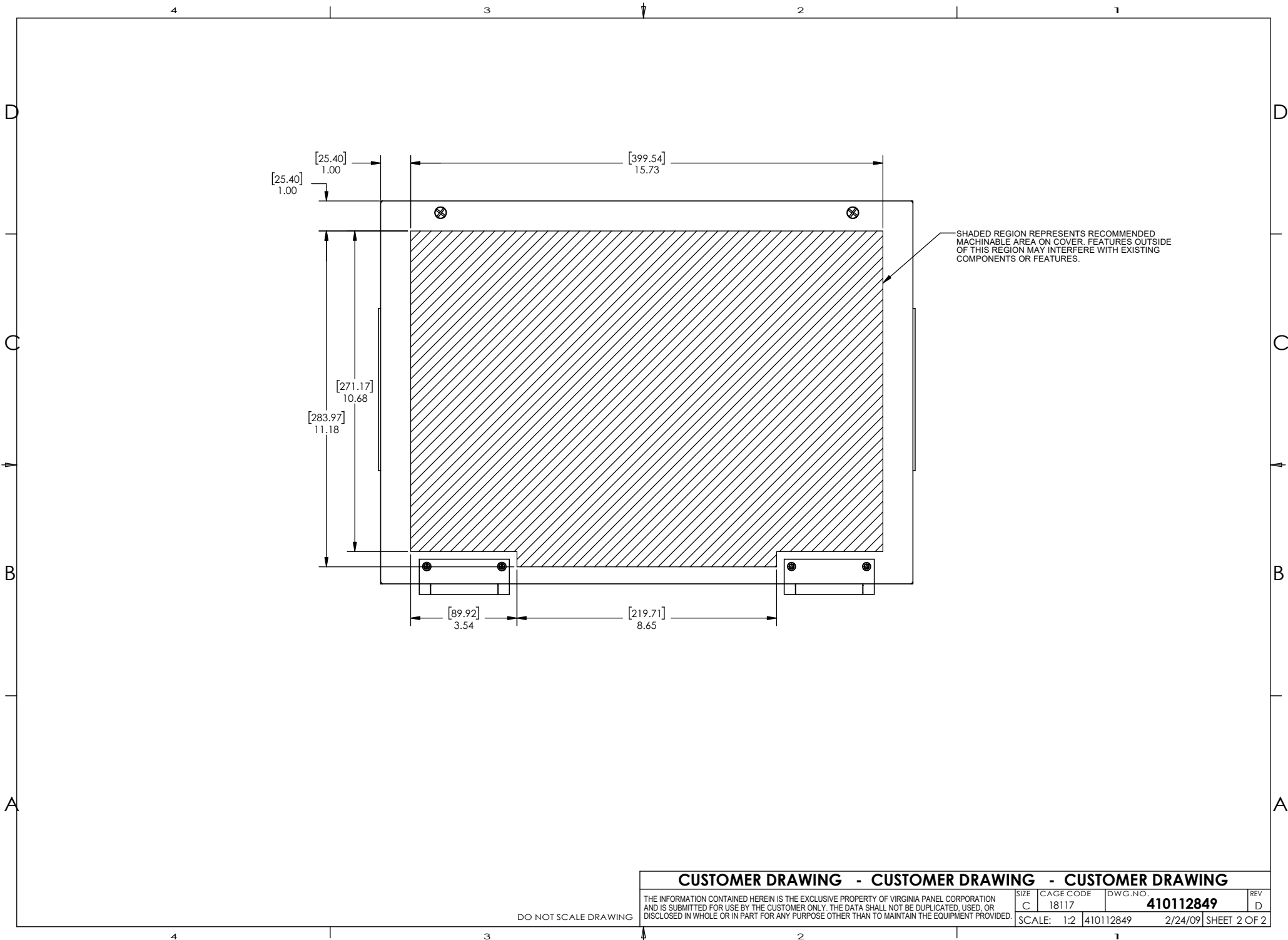
CUSTOMER DRAWING			
VIRGINIA PANEL CORPORATION WWW.VPC.COM			
G12X ITA ENCLOSURE FRONT MOUNT			
DIMENSIONS ARE SHOWN AS:	SIZE	CAGE CODE	DWG. NO.
[MILLIMETERS] INCHES	C	18117	410112849
SCALE: 1:4	410112849	2/24/09	SHEET 1 OF 2

4

3

2

1



CUSTOMER DRAWING - CUSTOMER DRAWING - CUSTOMER DRAWING

THE INFORMATION CONTAINED HEREIN IS THE EXCLUSIVE PROPERTY OF VIRGINIA PANEL CORPORATION AND IS SUBMITTED FOR USE BY THE CUSTOMER ONLY. THE DATA SHALL NOT BE DUPLICATED, USED, OR DISCLOSED IN WHOLE OR IN PART FOR ANY PURPOSE OTHER THAN TO MAINTAIN THE EQUIPMENT PROVIDED.				SIZE C	CAGE CODE 18117	DWG. NO. 410112849	REV D
				SCALE: 1:2	410112849	2/24/09	SHEET 2 OF 2

DO NOT SCALE DRAWING