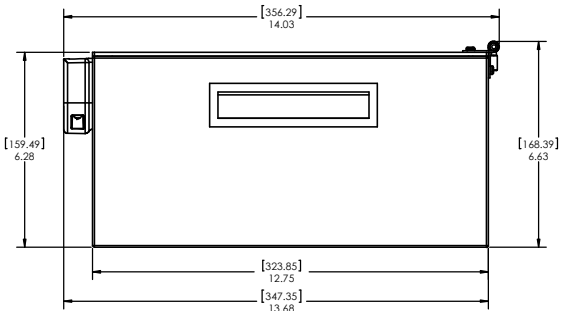
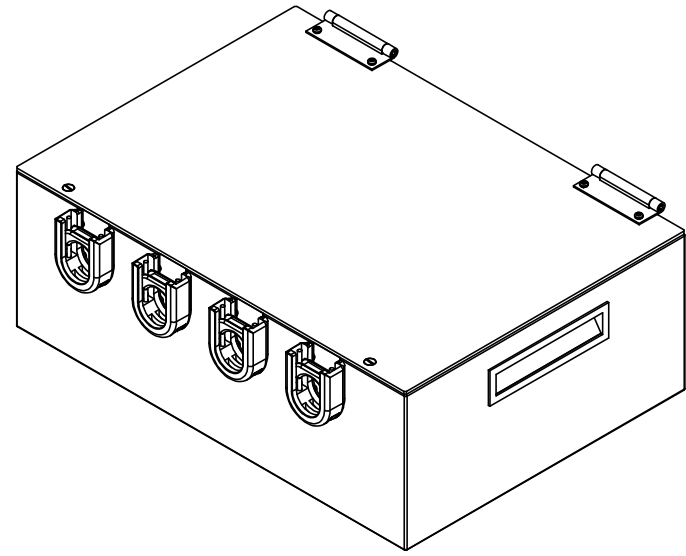
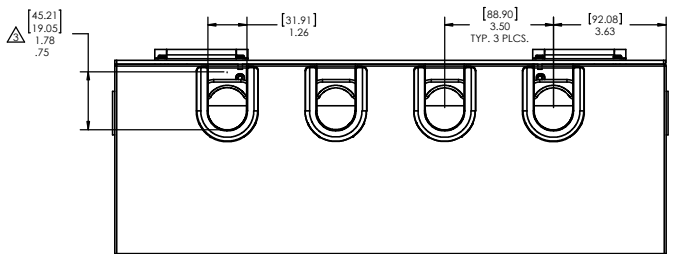
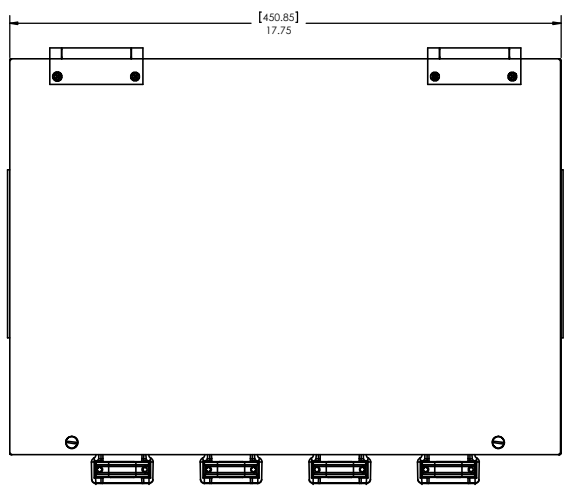
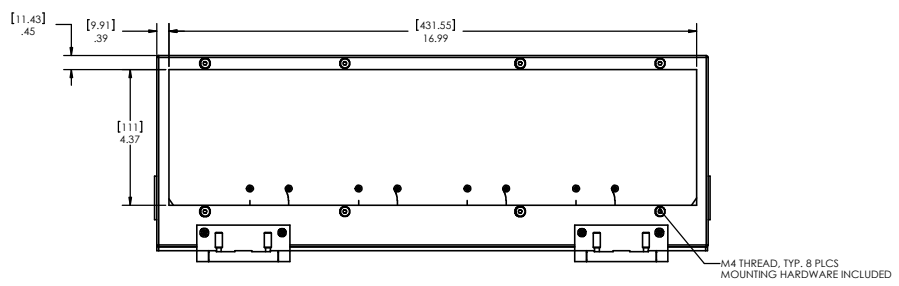


8 7 6 5 4 3 2 1

DO NOT SCALE DRAWING

THE INFORMATION CONTAINED HEREIN IS THE EXCLUSIVE PROPERTY OF VIRGINIA PANEL CORPORATION AND IS SUBMITTED FOR USE BY THE CUSTOMER ONLY. THE DATA SHALL NOT BE DUPLICATED, USED, OR DISCLOSED IN WHOLE OR IN PART FOR ANY PURPOSE OTHER THAN TO MAINTAIN THE EQUIPMENT PROVIDED. CONSULT WITH VIRGINIA PANEL CORPORATION ENGINEERING IF MORE DETAIL IS REQUIRED.

REVISIONS			
REV	DESCRIPTION	DATE	ENGR
C	ECN # 4629	5/16/13	L LOCKRIDGE



△ FUNCTIONAL CLAMPING RANGE. FOR SMALLER WIRE BUNDLES CLAMP CAN BE INVERTED WITH FLAT SIDE TOWARD WIRES.

2. THIS ENCLOSURE IS DESIGNED TO BE USED WITH VPC ITA P/N 410104474.

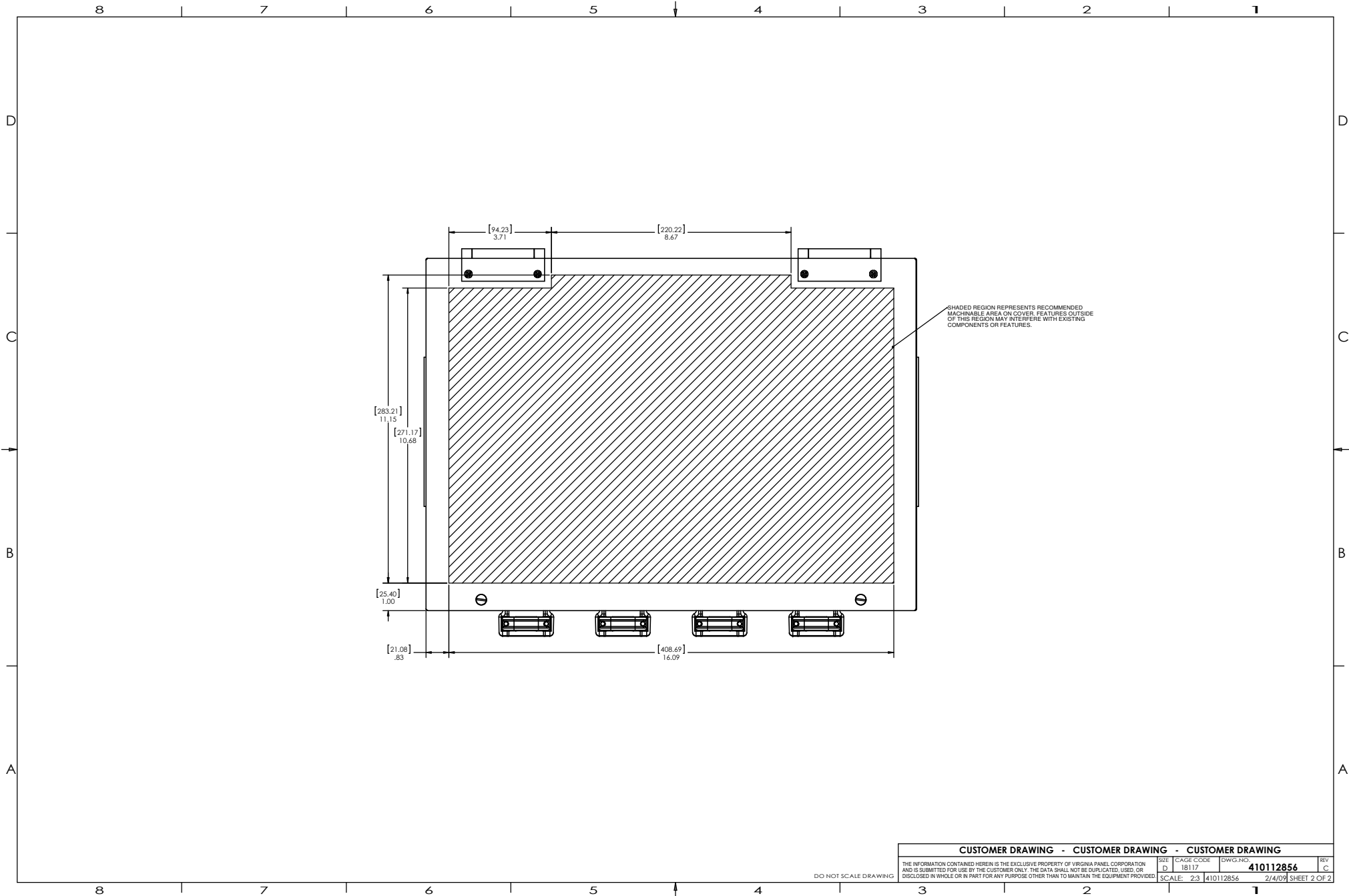
1. FOR APPLICATION USE AND CARE INFORMATION CONSULT VPC USERS GUIDE @ WWW.VPC.COM

NOTES:

CUSTOMER DRAWING			
VIRGINIA PANEL CORPORATION WWW.VPC.COM			
ENCLOSURE G12X W/CABLE CLAMPS FOR DISCRETE WIRING			

DIMENSIONS ARE SHOWN AS:	SIZE	DATE	DWG NO.	REV
[MILLIMETERS]	D	18117	410112856	C
[INCHES]	SCALE: 1:2	410112856	2/4/09	SHEET 1 OF 2

8 7 6 5 4 3 2 1



CUSTOMER DRAWING - CUSTOMER DRAWING - CUSTOMER DRAWING			
THE INFORMATION CONTAINED HEREIN IS THE EXCLUSIVE PROPERTY OF VIRGINIA PANEL CORPORATION AND IS SUBMITTED FOR USE BY THE CUSTOMER ONLY. THE DATA SHALL NOT BE DUPLICATED, USED, OR DISCLOSED IN WHOLE OR IN PART FOR ANY PURPOSE OTHER THAN TO MAINTAIN THE EQUIPMENT PROVIDED.	SIZE D	CAGE CODE 18117	DWG. NO. 410112856
DO NOT SCALE DRAWING	SCALE: 2:3	410112856	REV C 2/4/09 SHEET 2 OF 2