

4

3

2

1

DO NOT SCALE DRAWING

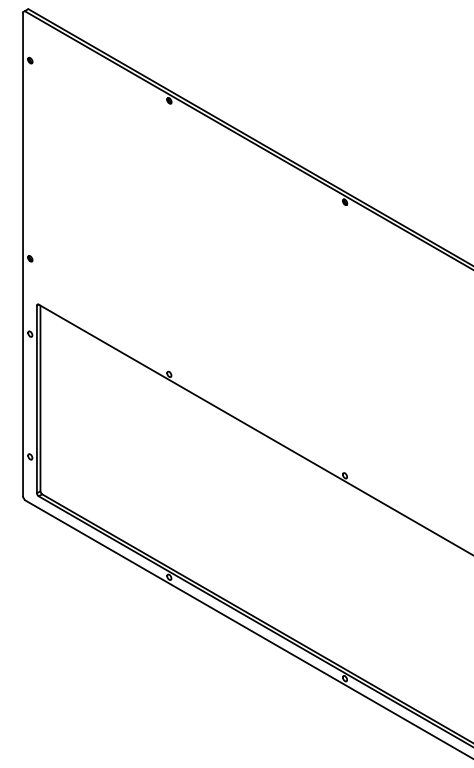
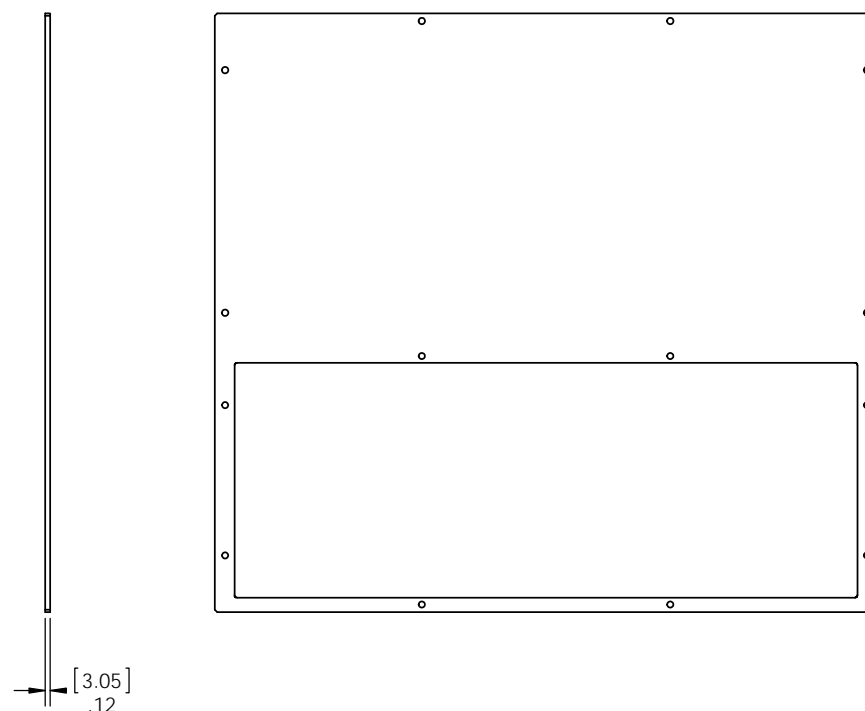
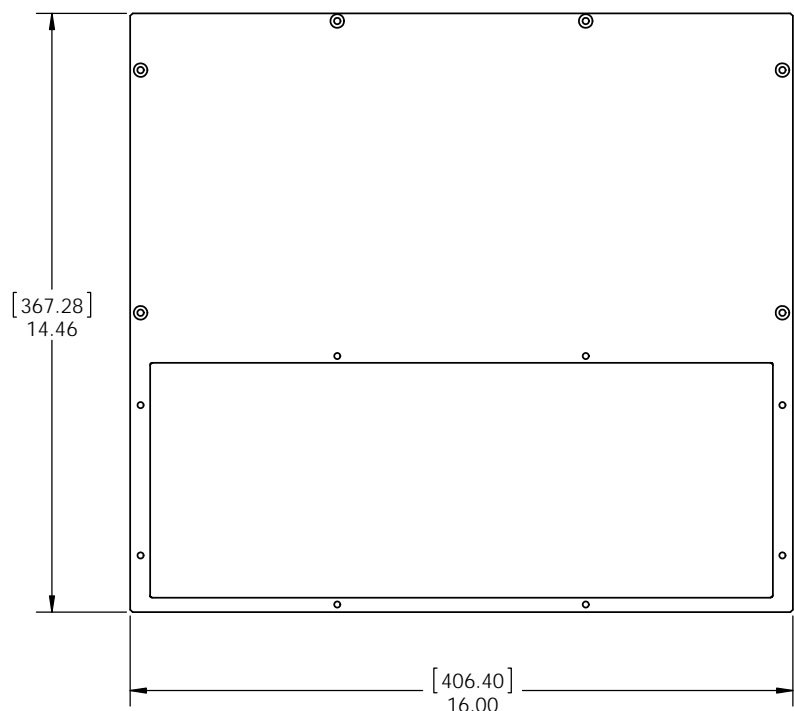
THE INFORMATION CONTAINED HEREIN IS THE EXCLUSIVE PROPERTY OF VIRGINIA PANEL CORPORATION AND IS SUBMITTED FOR USE BY THE CUSTOMER ONLY. THE DATA SHALL NOT BE DUPLICATED, USED, OR DISCLOSED IN WHOLE OR IN PART FOR ANY PURPOSE OTHER THAN TO MAINTAIN THE EQUIPMENT PROVIDED. CONSULT WITH VIRGINIA PANEL CORPORATION ENGINEERING IF MORE DETAIL IS REQUIRED.

REVISIONS

REV	DESCRIPTION	DATE	ENGR
B	ECN # 5110	3/7/14	RF

D  
C  
B  
A

D  
C  
B  
A



- NOTES:
- 2. HARDWARE IS INCLUDED TO FASTEN ADAPTER TO THE ENCLOSURE.
  - 1. FOR APPLICATION USE & CARE INFORMATION CONSULT VPC USERS GUIDE @WWW.VPC.COM

RELATIVE CONNECTOR POSITIONS AND WIRE ROUTING ARE GENERIC AND MAY VARY WITH PENCIL CUT  
 DIMENSIONS ARE SHOWN AS:  
 [MILLIMETERS]  
 INCHES

CUSTOMER DRAWING			
VIRGINIA PANEL CORPORATION WWW.VPC.COM			
Adapter Plate 9050 Enclosure to 9025 ITA			
SIZE	CAGE CODE	DWG. NO.	REV
C	18117	410112976	B
SCALE:	NONE	410112976	5/22/13 SHEET 1 OF 1

4

3

2

1