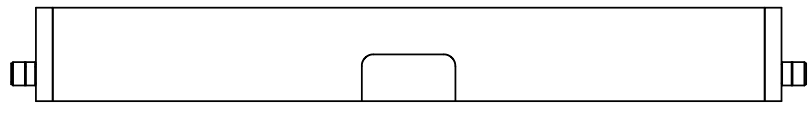
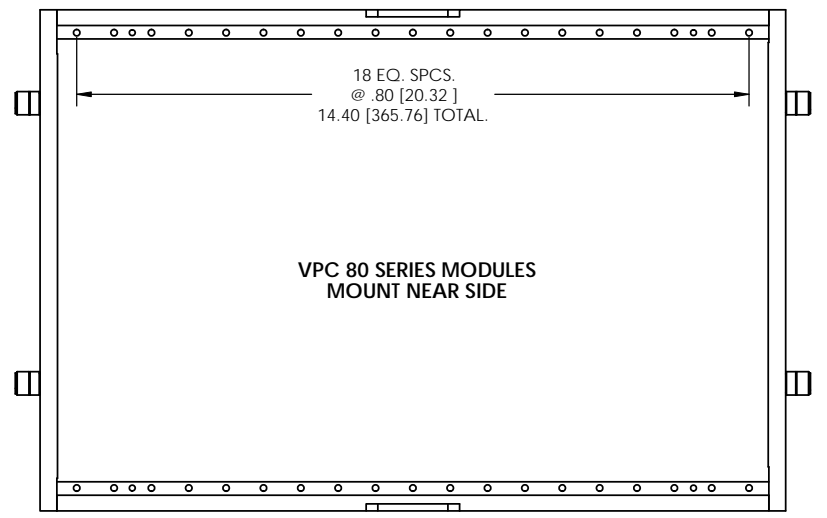
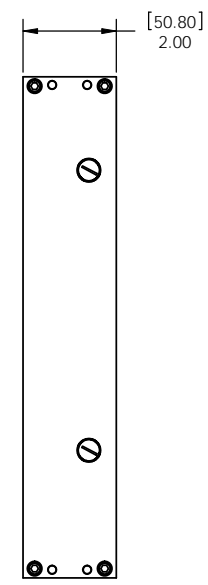
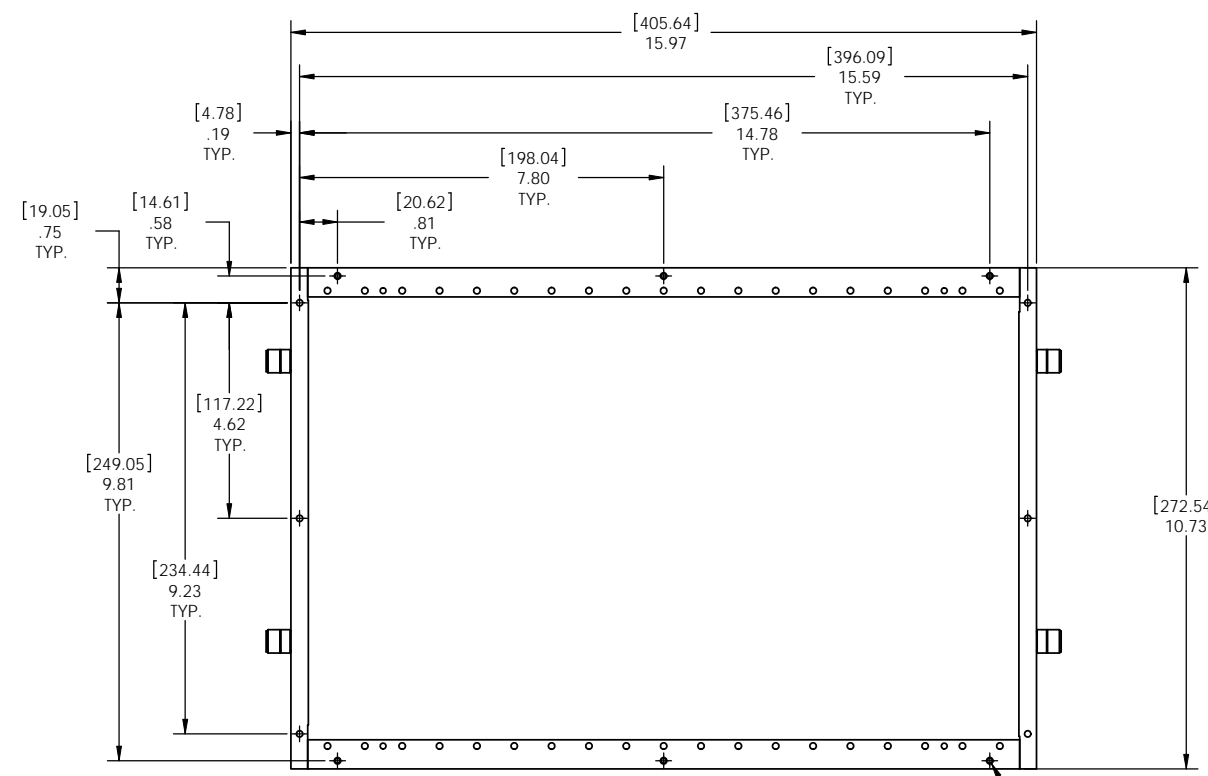
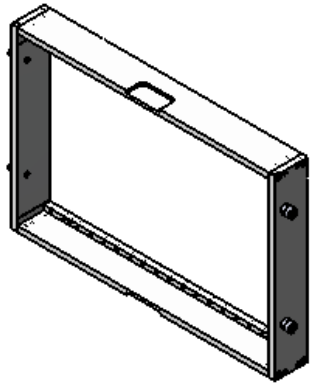


8 7 6 5 4 3 2 1

DO NOT SCALE DRAWING

THE INFORMATION CONTAINED HEREIN IS THE EXCLUSIVE PROPERTY OF VIRGINIA PANEL CORPORATION AND IS SUBMITTED FOR USE BY THE CUSTOMER ONLY. THE DATA SHALL NOT BE DUPLICATED, USED, OR DISCLOSED IN WHOLE OR IN PART FOR ANY PURPOSE OTHER THAN TO MAINTAIN THE EQUIPMENT PROVIDED. CONSULT WITH VIRGINIA PANEL CORPORATION ENGINEERING IF MORE DETAIL IS REQUIRED.

REVISIONS			
REV	DESCRIPTION	DATE	ENGR
K	INCORPORATED MVK 2137	10/6/98	RG



MOUNTING HOLES
12 X 6-32 UNC-2B ∇ 50 [12.7]
WITH SELF LOCKING
HELICOIL INSERTS

D
C
B
A

D
C
B
A

NOTES:
1. FOR APPLICATION USE AND CARE INFORMATION CONSULT VPC USERS GUIDE @ WWW.VPC.COM

8 7 6 5 4 3 2 1

CUSTOMER DRAWING
VIRGINIA PANEL CORPORATION
www.vpc.com
ID, CASS
19 MODULE SINGLE TIER

DIMENSIONS ARE SHOWN AS:	SIZE	CAGE CODE	DWG NO.	REV
[MILLIMETERS]	D	18117	1899AS279-01	K
INCHES				
	SCALE: 1:2	410113101	04/29/89	SHEET 1 OF 1