

4

3

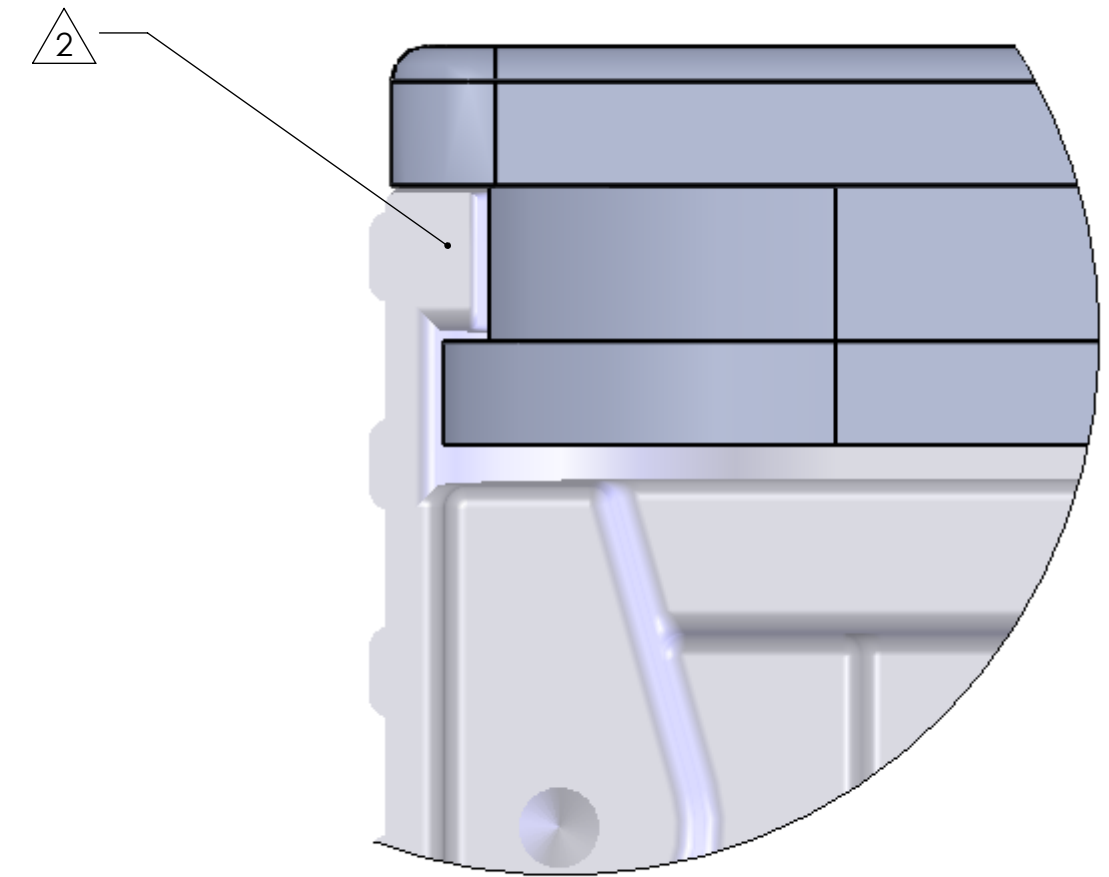
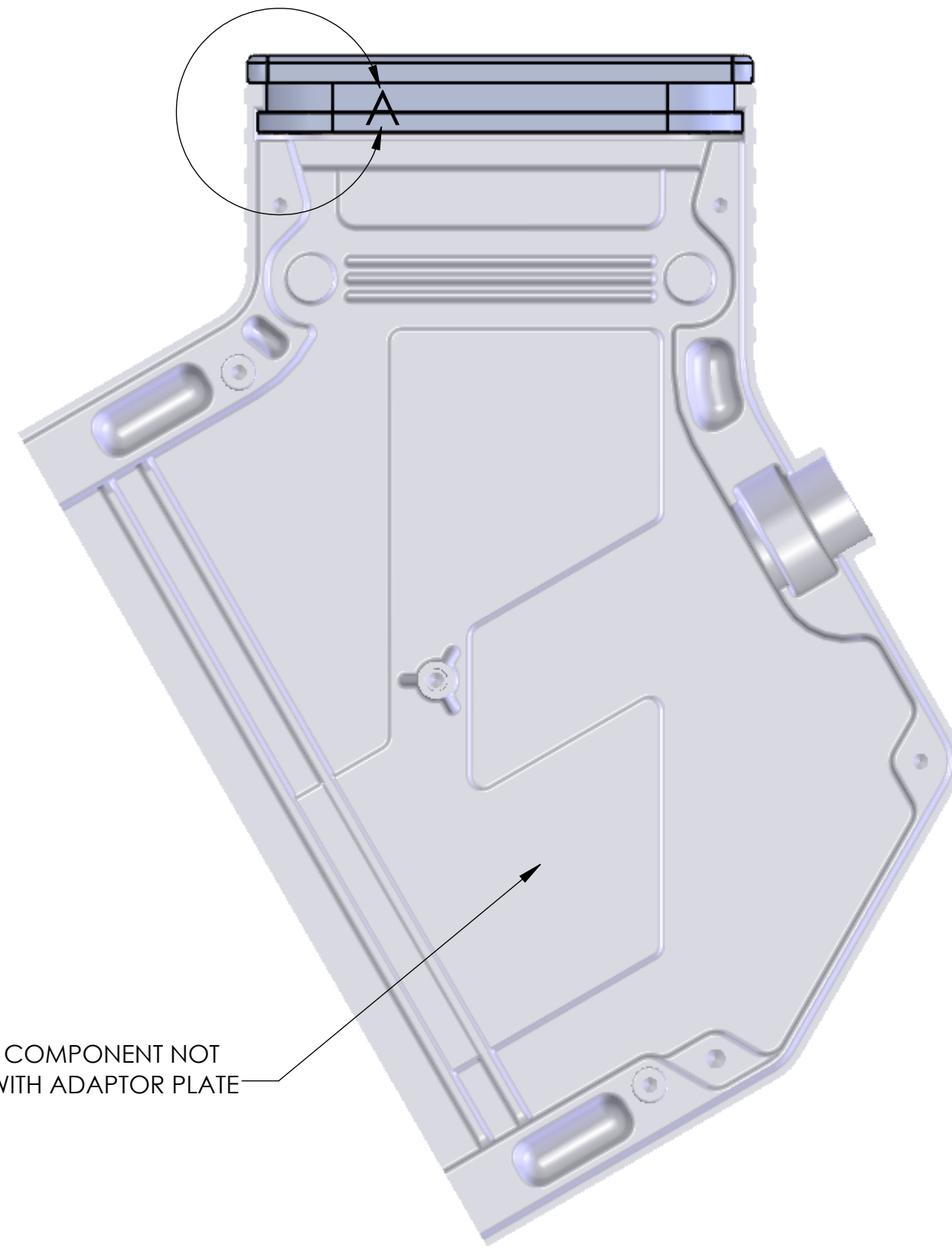
2

1

DO NOT SCALE DRAWING

THE INFORMATION CONTAINED HEREIN IS THE EXCLUSIVE PROPERTY OF VIRGINIA PANEL CORPORATION AND IS SUBMITTED FOR USE BY THE CUSTOMER ONLY. THE DATA SHALL NOT BE DUPLICATED, USED, OR DISCLOSED IN WHOLE OR IN PART FOR ANY PURPOSE OTHER THAN TO MAINTAIN THE EQUIPMENT PROVIDED. CONSULT WITH VIRGINIA PANEL CORPORATION ENGINEERING IF MORE DETAIL IS REQUIRED.

REVISIONS			
REV	DESCRIPTION	DATE	ENGR
A	DRAWING ORIGINATION - ECN #5915	4/2/15	R HERRON



DETAIL A
SCALE 6 : 1

BACK SHELL COMPONENT NOT INCLUDED WITH ADAPTOR PLATE

3. PLATE MATERIAL: Ni PLATED ALUMINUM

2. FOR PROPER INSTALLATION, POSITION RIDGE ON BACK SHELL HALVES INTO CORRESPONDING GROOVE OF LOOPBACK PLATE AS SHOWN.

1. FOR APPLICATION USE & CARE INFORMATION CONSULT VPC USERS GUIDE @WWW.VPC.COM

NOTES:

CUSTOMER DRAWING			
VIRGINIA PANEL CORPORATION WWW.VPC.COM			
LOOP BACK ADAPTOR PLATE			
i2 MX ITA			
SIZE	CAGE CODE	DWG. NO.	REV
C	18117	410113179	A
SCALE: 3:2		410113179	4/2/15 SHEET 1 OF 1

RELATIVE CONNECTOR POSITIONS AND WIRE ROUTING ARE GENERIC AND MAY VARY WITH PINOUT
DIMENSIONS ARE SHOWN AS:
[MILLIMETERS]
INCHES

4

3

2

1