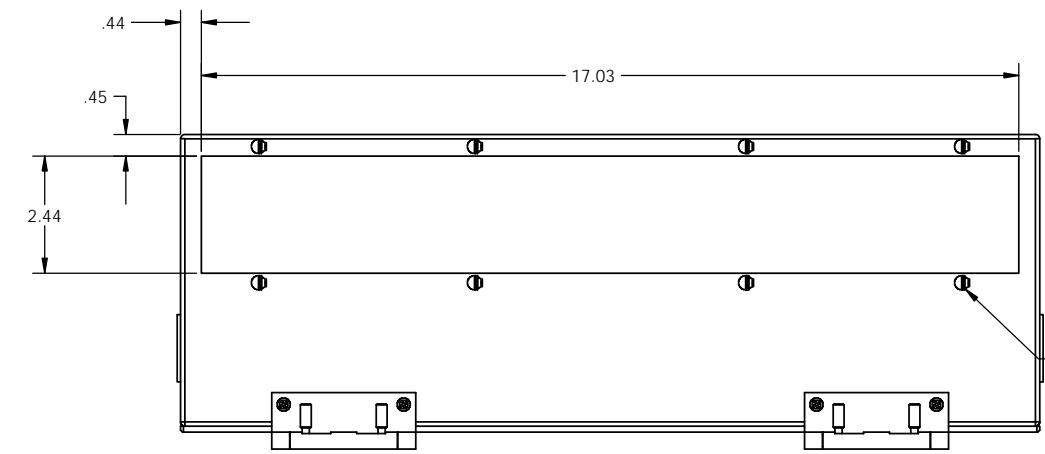


8 7 6 5 4 3 2 1

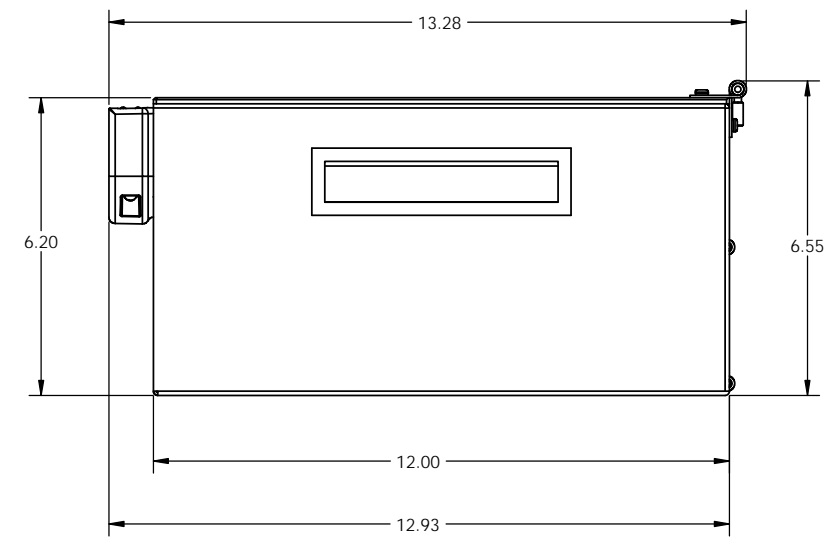
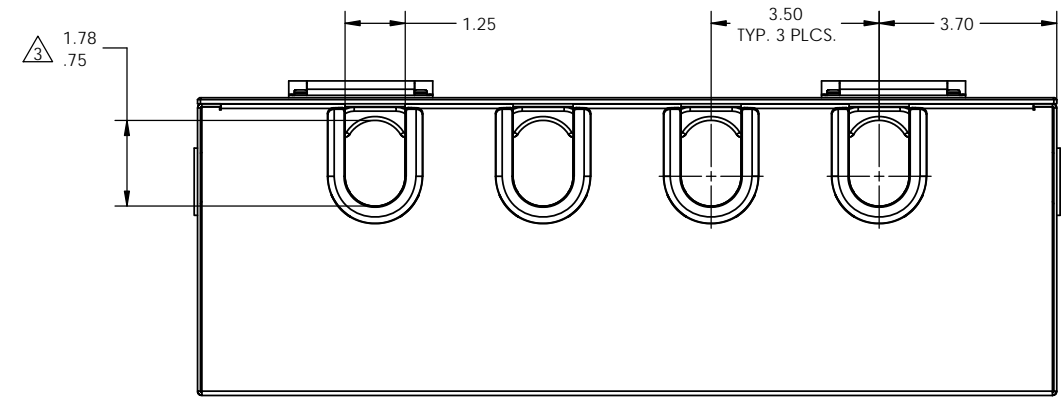
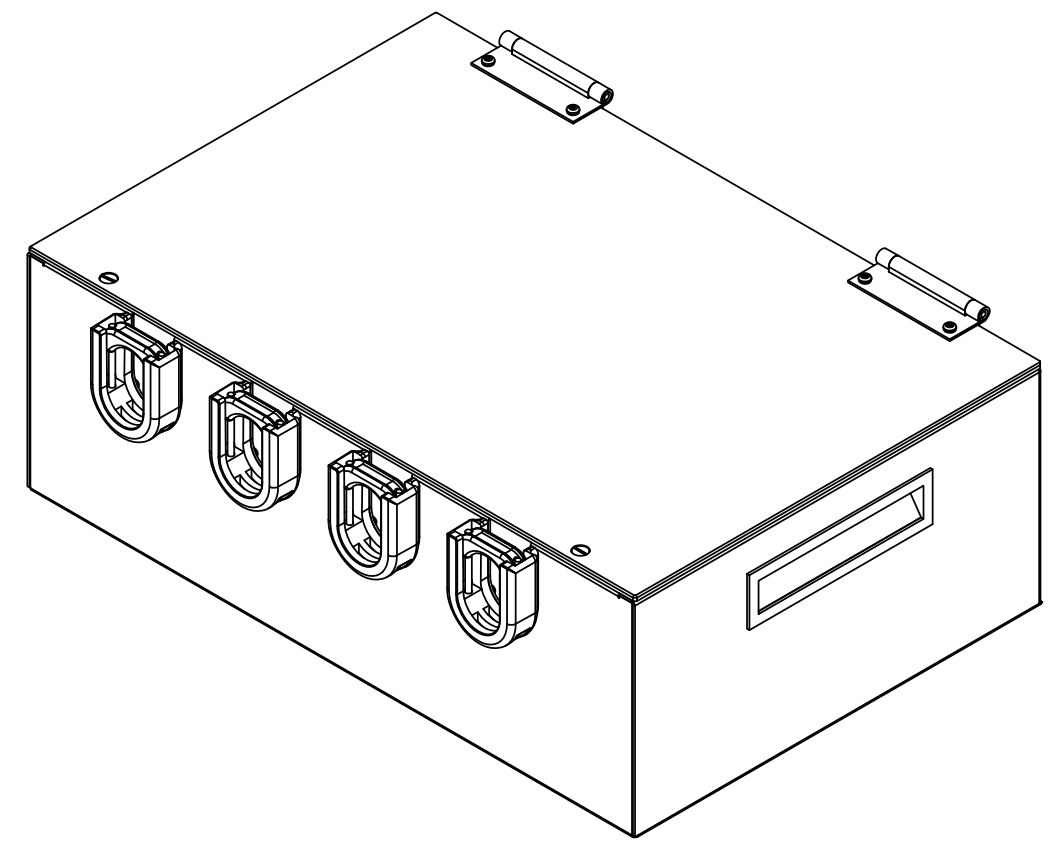
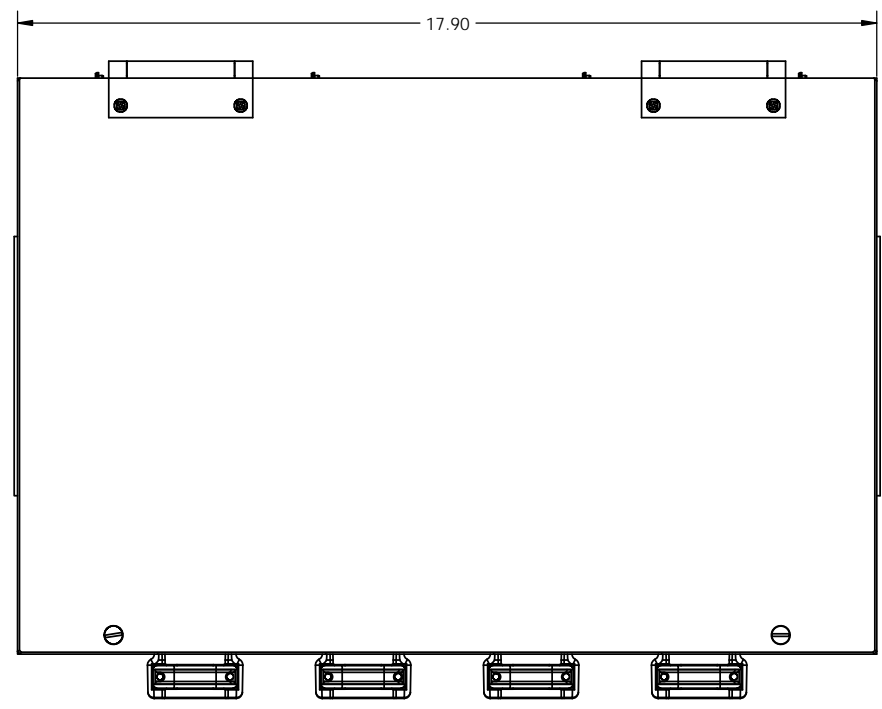
DO NOT SCALE DRAWING

THE INFORMATION CONTAINED HEREIN IS THE EXCLUSIVE PROPERTY OF VIRGINIA PANEL CORPORATION AND IS SUBMITTED FOR USE BY THE CUSTOMER ONLY. THE DATA SHALL NOT BE DUPLICATED, USED, OR DISCLOSED IN WHOLE OR IN PART FOR ANY PURPOSE OTHER THAN TO MAINTAIN THE EQUIPMENT PROVIDED. CONSULT WITH VIRGINIA PANEL CORPORATION ENGINEERING IF MORE DETAIL IS REQUIRED.

REVISIONS			
REV	DESCRIPTION	DATE	ENGR
B	ECN #10151	4/3/2020	RF



M4 THREAD, TYP. 8 PLCS
MOUNTING HARDWARE INCLUDED



FUNCTIONAL CLAMPING RANGE. FOR SMALLER WIRE BUNDLES CLAMP CAN BE INVERTED WITH FLAT SIDE TOWARD WIRES.

2. THIS ENCLOSURE IS DESIGNED TO BE USED WITH VPC ITA P/N 310104322.

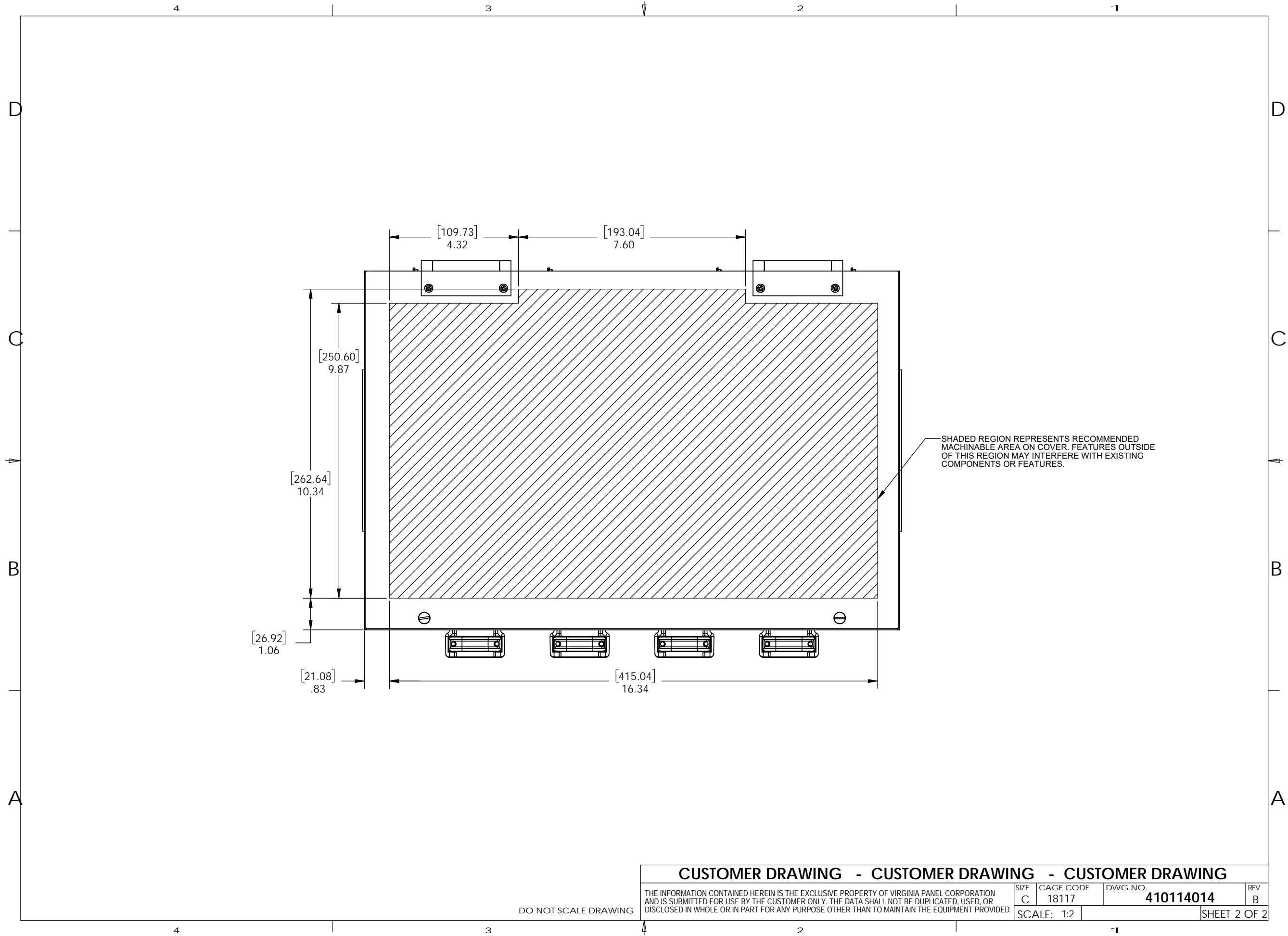
1. FOR APPLICATION USE AND CARE INFORMATION CONSULT VPC USERS GUIDE @ WWW.VPC.COM

NOTES:

CUSTOMER DRAWING
VIRGINIA PANEL CORPORATION
WWW.VPC.COM
ENCLOSURE, G12 W/ CABLE CLAMPS
6 X 18 X 12 FOR DISCRETE WIRING

DIMENSIONS ARE SHOWN AS:	SIZE	CAGE CODE	IDWG NO.	REV
[MILLIMETERS]	D	18117	410114014	B
INCHES	SCALE: 1:2			SHEET 1 OF 2

8 7 6 5 4 3 2 1



CUSTOMER DRAWING - CUSTOMER DRAWING - CUSTOMER DRAWING

THE INFORMATION CONTAINED HEREIN IS THE EXCLUSIVE PROPERTY OF VIRGINIA PANEL CORPORATION AND IS SUBMITTED FOR USE BY THE CUSTOMER ONLY. THE DATA SHALL NOT BE DUPLICATED, USED, OR DISCLOSED IN WHOLE OR IN PART FOR ANY PURPOSE OTHER THAN TO MAINTAIN THE EQUIPMENT PROVIDED.

SIZE	CAGE CODE	DWG. NO.	REV
C	18117	410114014	B
SCALE: 1:2		SHEET 2 OF 2	

DO NOT SCALE DRAWING