

4

3

2

1

DO NOT SCALE DRAWING

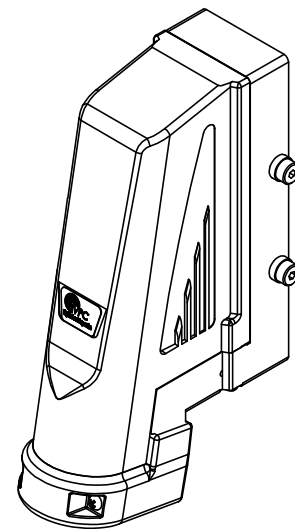
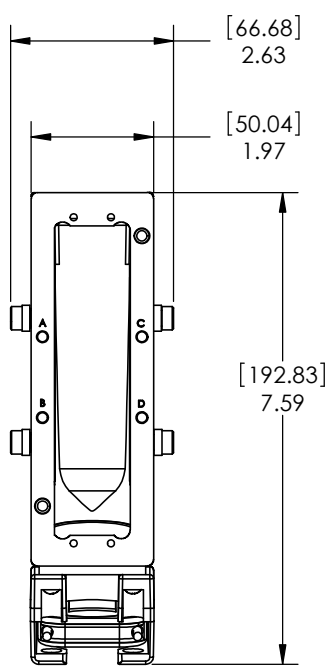
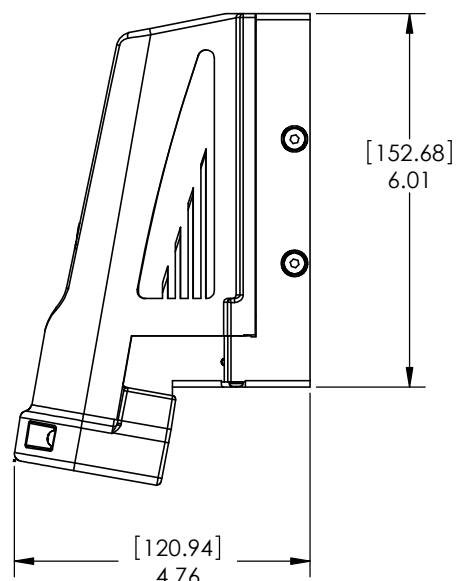
THE INFORMATION CONTAINED HEREIN IS THE EXCLUSIVE PROPERTY OF VIRGINIA PANEL CORPORATION AND IS SUBMITTED FOR USE BY THE CUSTOMER ONLY. THE DATA SHALL NOT BE DUPLICATED, USED, OR DISCLOSED IN WHOLE OR IN PART FOR ANY PURPOSE OTHER THAN TO MAINTAIN THE EQUIPMENT PROVIDED. CONSULT WITH VIRGINIA PANEL CORPORATION ENGINEERING IF MORE DETAIL IS REQUIRED.

REVISIONS

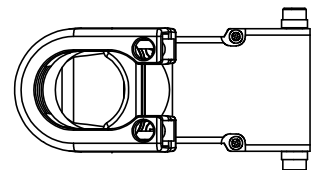
REV	DESCRIPTION	DATE	ENGR
K	ECN #6627	3/18/16	LRL

D
C
B
A

D
C
B
A



SHOWN WITH INCLUDED PROTECTIVE COVER.



SPECIFICATIONS:

WEIGHT: 1.65LBS. [.75KG]
 CONSTRUCTION:
 COVER MATERIAL: EMI SHIELDED NYLON
 FRAME MATERIAL: ZINC ALLOY
 SIGNAL POINT AVAILABILITY: 480

KEYING PLUG LOCATIONS							
PATTERN 1				PATTERN 4			
RECEIVER		ITA		RECEIVER		ITA	
PIN A INSTALLED	PIN C INSTALLED	SCREW A OPEN	SCREW C OPEN	PIN A OPEN	PIN C INSTALLED	SCREW A OPEN	SCREW C INSTALLED
PIN B OPEN	PIN D OPEN	SCREW B INSTALLED	SCREW D INSTALLED	PIN B OPEN	PIN D INSTALLED	SCREW B OPEN	SCREW D INSTALLED
PATTERN 2				PATTERN 5			
RECEIVER		ITA		RECEIVER		ITA	
PIN A INSTALLED	PIN C OPEN	SCREW A INSTALLED	SCREW C OPEN	PIN A OPEN	PIN C INSTALLED	SCREW A OPEN	SCREW C INSTALLED
PIN B INSTALLED	PIN D OPEN	SCREW B INSTALLED	SCREW D OPEN	PIN B INSTALLED	PIN D OPEN	SCREW B INSTALLED	SCREW D OPEN
PATTERN 3				PATTERN 6			
RECEIVER		ITA		RECEIVER		ITA	
PIN A INSTALLED	PIN C OPEN	SCREW A INSTALLED	SCREW C OPEN	PIN A OPEN	PIN C OPEN	SCREW A INSTALLED	SCREW C INSTALLED
PIN B OPEN	PIN D INSTALLED	SCREW B OPEN	SCREW D INSTALLED	PIN B INSTALLED	PIN D INSTALLED	SCREW B OPEN	SCREW D OPEN

- 2 IF KEYING IS REQUIRED USE VPC KEYING KIT PART NUMBER 310118112.
- 1 FOR APPLICATION, USE & CARE INFORMATION CONSULT VPC USERS GUIDE @WWW.VPC.COM.

NOTES:

CUSTOMER DRAWING
VIRGINIA PANEL CORPORATION
 WWW.VPC.COM
ITA, G2, 2 POSITION

DIMENSIONS ARE SHOWN AS:	SIZE	CAGE CODE	DWG.NO.	REV
[MILLIMETERS]	C	18117	410120110	K
INCHES	SCALE: 1:2	410120110	1/7/03	SHEET 1 OF 1

4

3

2

1