

4

3

2

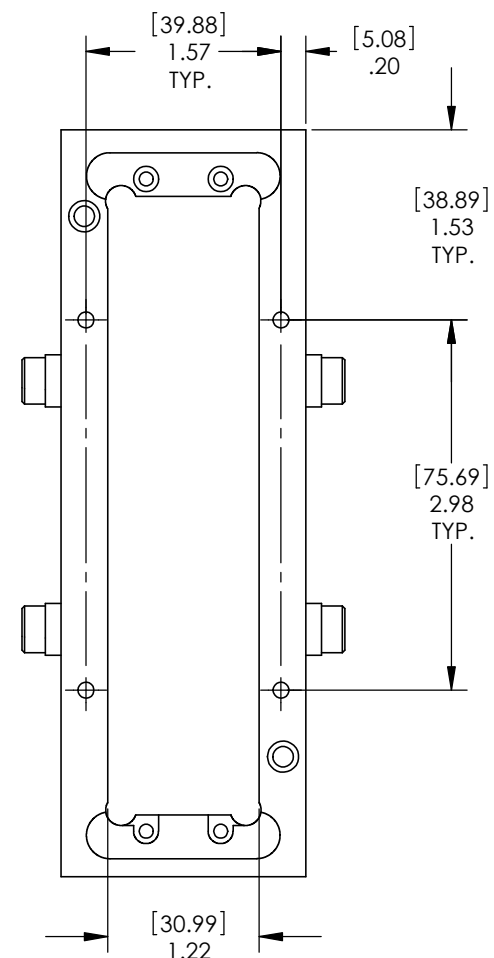
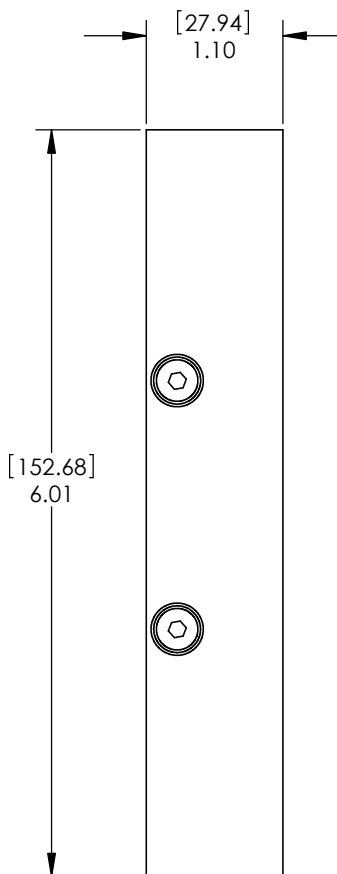
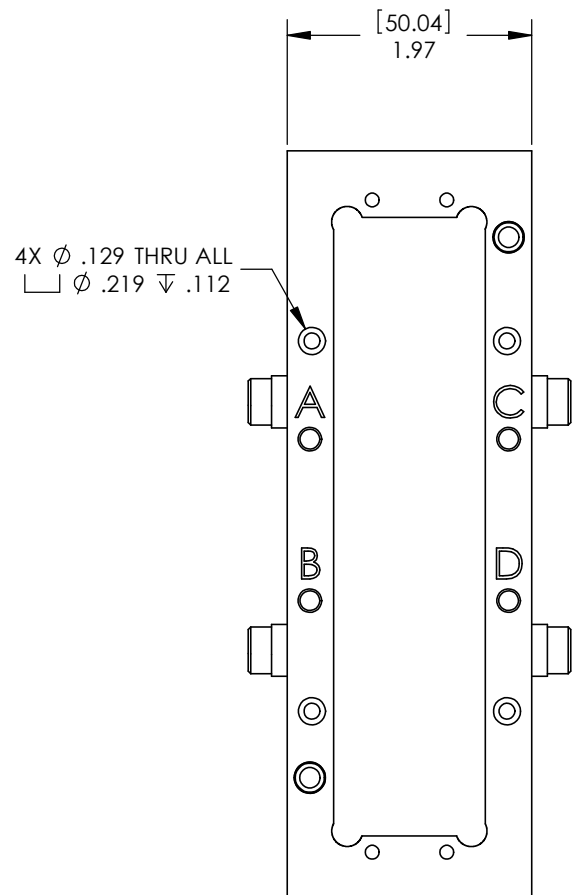
1

DO NOT SCALE DRAWING

THE INFORMATION CONTAINED HEREIN IS THE EXCLUSIVE PROPERTY OF VIRGINIA PANEL CORPORATION AND IS SUBMITTED FOR USE BY THE CUSTOMER ONLY. THE DATA SHALL NOT BE DUPLICATED, USED, OR DISCLOSED IN WHOLE OR IN PART FOR ANY PURPOSE OTHER THAN TO MAINTAIN THE EQUIPMENT PROVIDED. CONSULT WITH VIRGINIA PANEL CORPORATION ENGINEERING IF MORE DETAIL IS REQUIRED.

REVISIONS			
REV	DESCRIPTION	DATE	ENGR
D	ECN #5445	8/22/14	LRL

D



D

C

C

B

B

KEYING PLUG LOCATIONS							
PATTERN 1				PATTERN 4			
RECEIVER		ITA		RECEIVER		ITA	
PIN A	PIN C	SCREW A	SCREW C	PIN A	PIN C	SCREW A	SCREW C
INSTALLED	INSTALLED	OPEN	OPEN	OPEN	INSTALLED	OPEN	INSTALLED
PIN B	PIN D	SCREW B	SCREW D	PIN B	PIN D	SCREW B	SCREW D
OPEN	OPEN	INSTALLED	INSTALLED	OPEN	INSTALLED	OPEN	INSTALLED
PATTERN 2				PATTERN 5			
PIN A	PIN C	SCREW A	SCREW C	PIN A	PIN C	SCREW A	SCREW C
INSTALLED	OPEN	INSTALLED	OPEN	OPEN	INSTALLED	OPEN	INSTALLED
PIN B	PIN D	SCREW B	SCREW D	PIN B	PIN D	SCREW B	SCREW D
INSTALLED	OPEN	INSTALLED	OPEN	INSTALLED	OPEN	INSTALLED	OPEN
PATTERN 3				PATTERN 6			
PIN A	PIN C	SCREW A	SCREW C	PIN A	PIN C	SCREW A	SCREW C
INSTALLED	OPEN	INSTALLED	OPEN	OPEN	OPEN	INSTALLED	INSTALLED
PIN B	PIN D	SCREW B	SCREW D	PIN B	PIN D	SCREW B	SCREW D
OPEN	INSTALLED	OPEN	INSTALLED	INSTALLED	INSTALLED	OPEN	OPEN

- 3. IF KEYING IS REQUIRED USE VPC KEYING KIT PART NUMBER 310118112.
  - 2. MATES WITH 2 MODULE RECEIVER PART NUMBER 310120110
  - 1. FOR APPLICATION USE & CARE INFORMATION CONSULT VPC USERS GUIDE @WWW.VPC.COM
- NOTES:

CUSTOMER DRAWING			
<b>VIRGINIA PANEL CORPORATION</b> WWW.VPC.COM			
ITA G2, 2 MODULE ITA, 2 MODULE without Removable Cover			
DIMENSIONS ARE SHOWN AS:	SIZE	CAGE CODE	DWG.NO.
[MILLIMETERS] INCHES	C	18117	410120112
	SCALE: 1:1	410120112	REV D
			SHEET 1 OF 1

4

3

2

1

A