

4

3

2

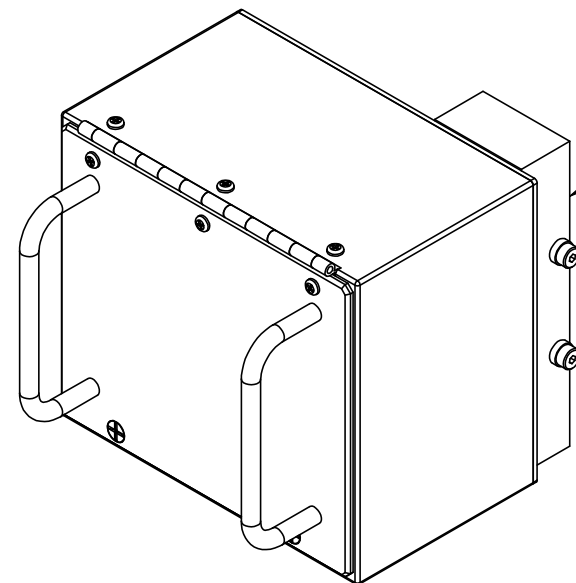
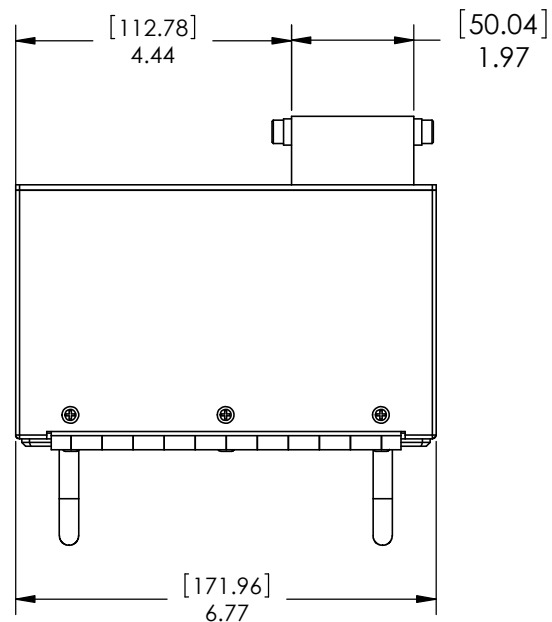
1

DO NOT SCALE DRAWING

THE INFORMATION CONTAINED HEREIN IS THE EXCLUSIVE PROPERTY OF VIRGINIA PANEL CORP. AND IS SUBMITTED FOR USE BY THE CUSTOMER ONLY. THE DATA SHALL NOT BE DUPLICATED, USED, OR DISCLOSED IN WHOLE OR IN PART FOR ANY PURPOSE OTHER THAN TO MAINTAIN THE EQUIPMENT PROVIDED. CONSULT WITH VIRGINIA PANEL CORPORATION ENGINEERING IF MORE DETAIL IS REQUIRED.

REVISIONS				
ZONE	REV	DESCRIPTION	DATE	APPROVED
	C	ECN # 5445	8/27/14	LRL

D

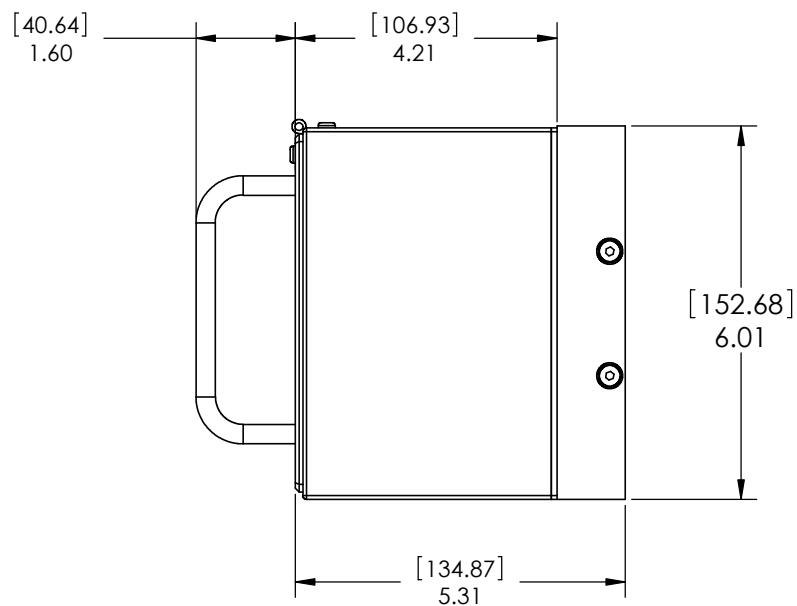


SHOWN WITH INCLUDED PROTECTIVE COVER 410112680

C

B

A



1 FOR APPLICATION, USE & CARE INFORMATION CONSULT VPC USERS GUIDE @WWW.VPC.COM

NOTES:

CUSTOMER DRAWING - CUSTOMER DRAWING

SOLIDWORKS DRAWING FILE	DIMENSIONS ARE SHOWN AS: (millimeters) INCHES	SIGNATURES	DATE	<b>VIRGINIA PANEL CORPORATION</b> WWW.VPC.COM		
	REMOVE BURRS, BREAK SHARP EDGES	DR		ITA, G2, 2 MODULE WITH 10 MODULE ENCLOSURE AND ADAPTER PLATE		
	MATERIAL	CHK		SIZE	CAGE CODE	DWG.NO.
	FINISH	ENG		C	18117	410120120
		PROD		SCALE: NONE	410120120	SHEET 1 OF 1
		ASSY				
		Q A				
		APPD				

4

3

2

1

D

C

B

A