

4

3

2

1

DO NOT SCALE DRAWING

THE INFORMATION CONTAINED HEREIN IS THE EXCLUSIVE PROPERTY OF VIRGINIA PANEL CORPORATION AND IS SUBMITTED FOR USE BY THE CUSTOMER ONLY. THE DATA SHALL NOT BE DUPLICATED, USED, OR DISCLOSED IN WHOLE OR IN PART FOR ANY PURPOSE OTHER THAN TO MAINTAIN THE EQUIPMENT PROVIDED. CONSULT WITH VIRGINIA PANEL CORPORATION ENGINEERING IF MORE DETAIL IS REQUIRED.

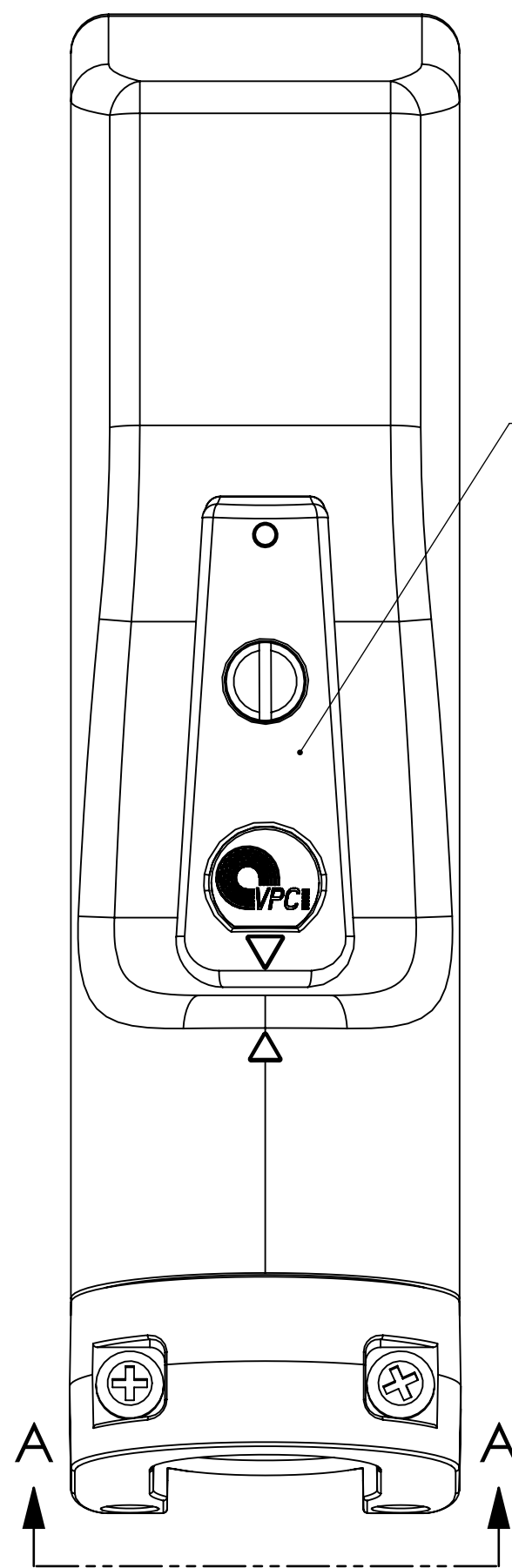
REVISIONS			
REV	DESCRIPTION	DATE	ENGR
J	ECN - #8972	3/20/19	R HERRON

D

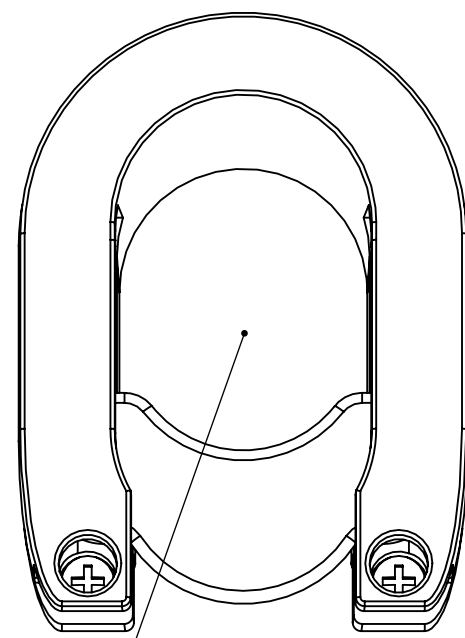
C

B

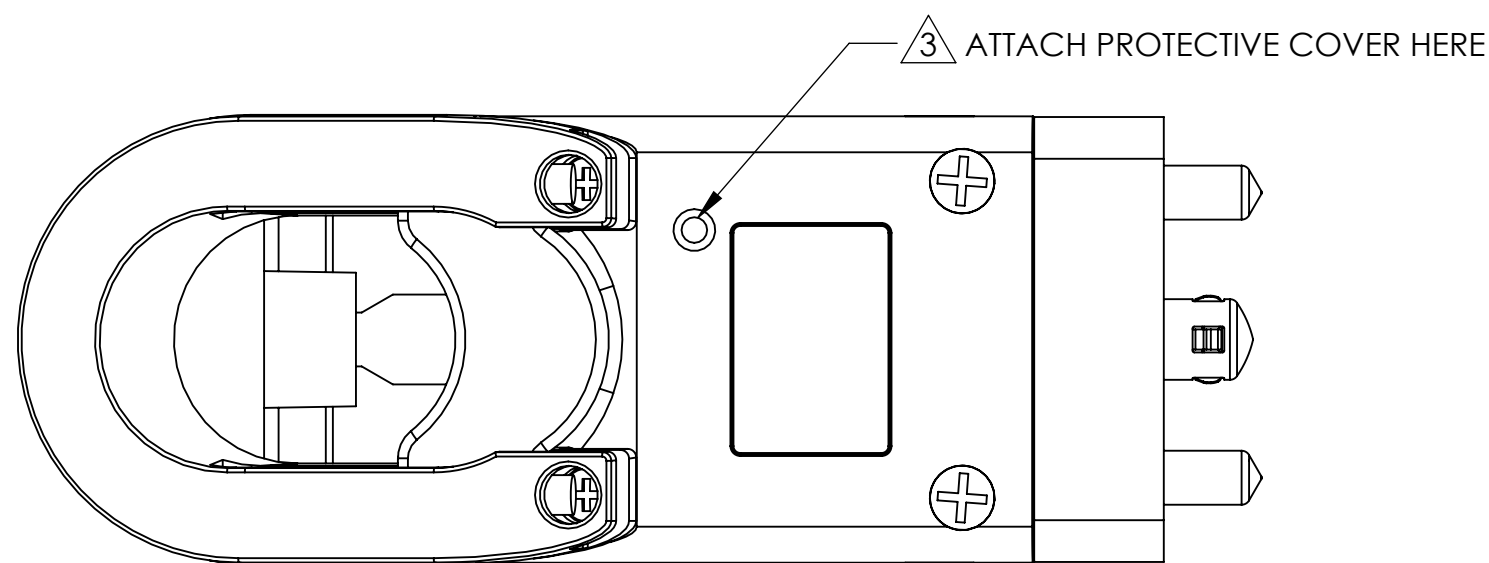
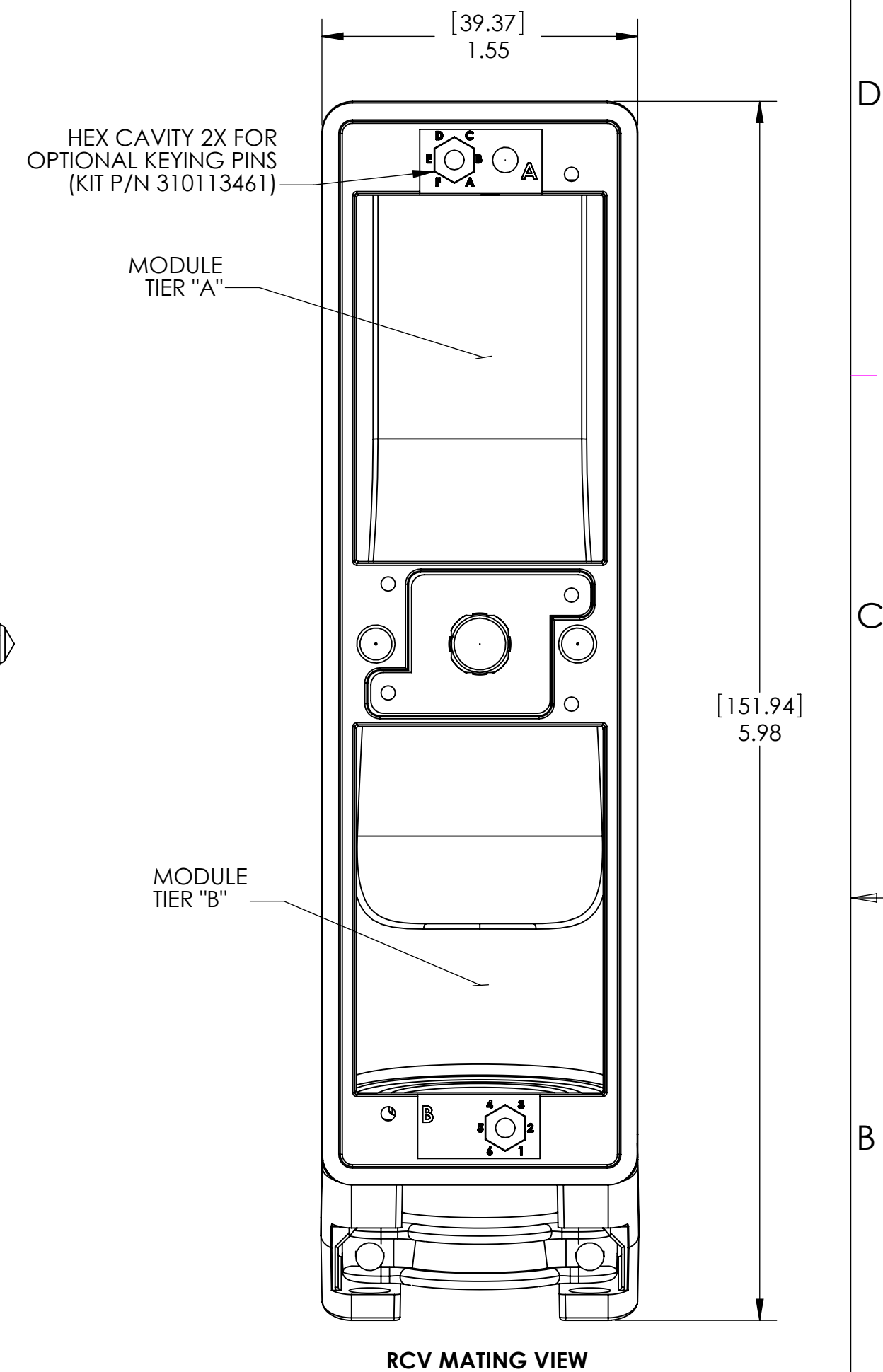
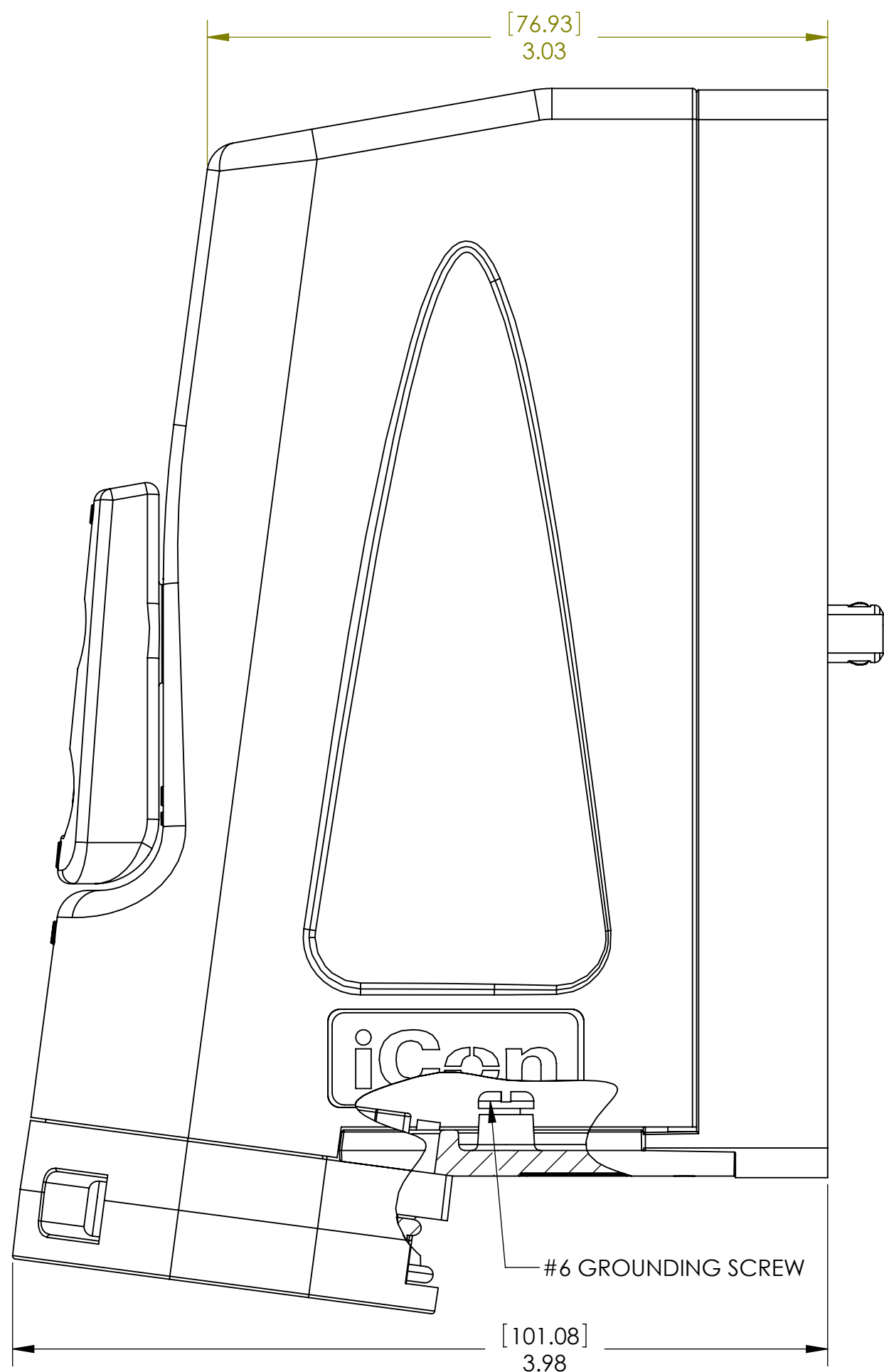
A



HANDLE SHOWN IN ENGAGED POSITION. ROTATE 180° COUNTER-CLOCKWISE FOR DISENGAGED POSITION.



SECTION A-A SCALE 1.5 : 1



5. MAXIMUM CONTACT MATING FORCE SHOULD NOT EXCEED 100 LBS [444.8 N]

4 MAX CABLE BUNDLE EFFECTIVE DIAMETER = 1.21 IN. CLAMP CAN BE INVERTED FOR SMALLER CABLE BUNDLES

3 PROTECTIVE COVER INCLUDED WITH ASSEMBLY (NOT SHOWN)

2. MATERIALS:  
FRAME: ALUMINUM ALLOY - Ni PLATED  
HARDWARE: STAINLESS STEEL ALLOY  
DRIVE UNIT: BRONZE ALLOY & STAINLESS STEEL ALLOY  
PLASTIC COMPONENTS & PROTECTIVE COVER: BLACK THERMOPLASTIC  
CABLE CLAMP: ALUMINUM ALLOY, POWDER COATED

1. FOR APPLICATION USE & CARE INFORMATION CONSULT VPC USERS GUIDE @WWW.VPC.COM

NOTES:

DIMENSIONS ARE SHOWN AS:	SIZE	CAGE CODE	DWG. NO.	REV
	[MILLIMETERS]	C 18117	410123101	J
INCHES	SCALE: 1:1	410123101	9/5/06	SHEET 1 OF 1

CUSTOMER DRAWING  
VIRGINIA PANEL CORPORATION  
WWW.VPC.COM

ITA, ICON

4

3

2

1

A