

4

3

2

1

DO NOT SCALE DRAWING

THE INFORMATION CONTAINED HEREIN IS THE EXCLUSIVE PROPERTY OF VIRGINIA PANEL CORPORATION AND IS SUBMITTED FOR USE BY THE CUSTOMER ONLY. THE DATA SHALL NOT BE DUPLICATED, USED, OR DISCLOSED IN WHOLE OR IN PART FOR ANY PURPOSE OTHER THAN TO MAINTAIN THE EQUIPMENT PROVIDED. CONSULT WITH VIRGINIA PANEL CORPORATION ENGINEERING IF MORE DETAIL IS REQUIRED.

| REVISIONS | | | |
|-----------|----------------------------------|----------|----------|
| REV | DESCRIPTION | DATE | ENGR |
| A | DRAWING ORIGINATION - ECN #10687 | 5/6/2020 | R HERRON |

D

D

C

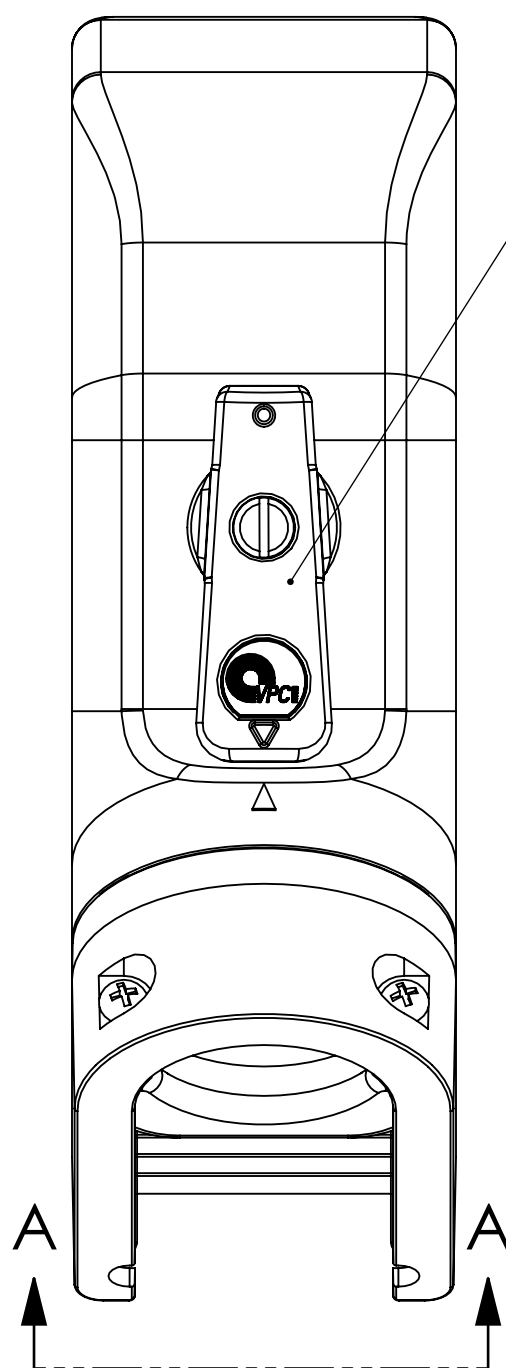
C

B

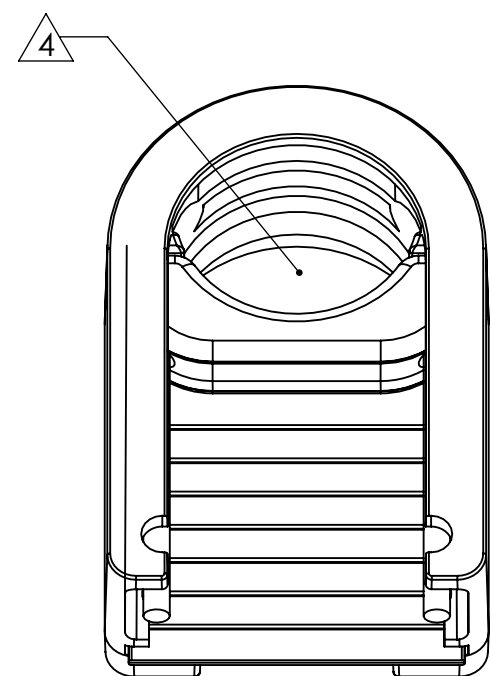
B

A

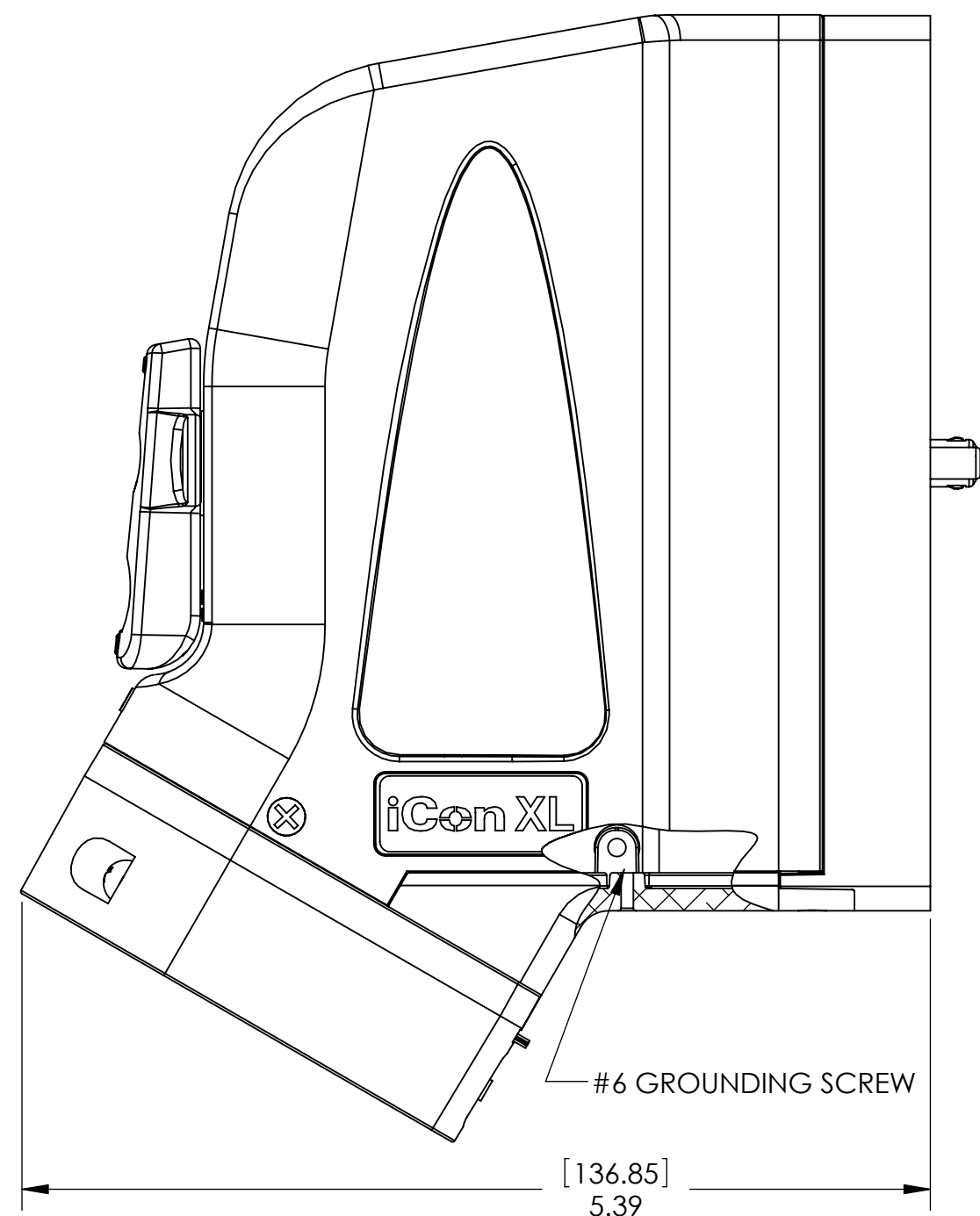
A



HANDLE SHOWN IN ENGAGED POSITION. ROTATE 180° COUNTER-CLOCKWISE FOR DISENGAGED POSITION.

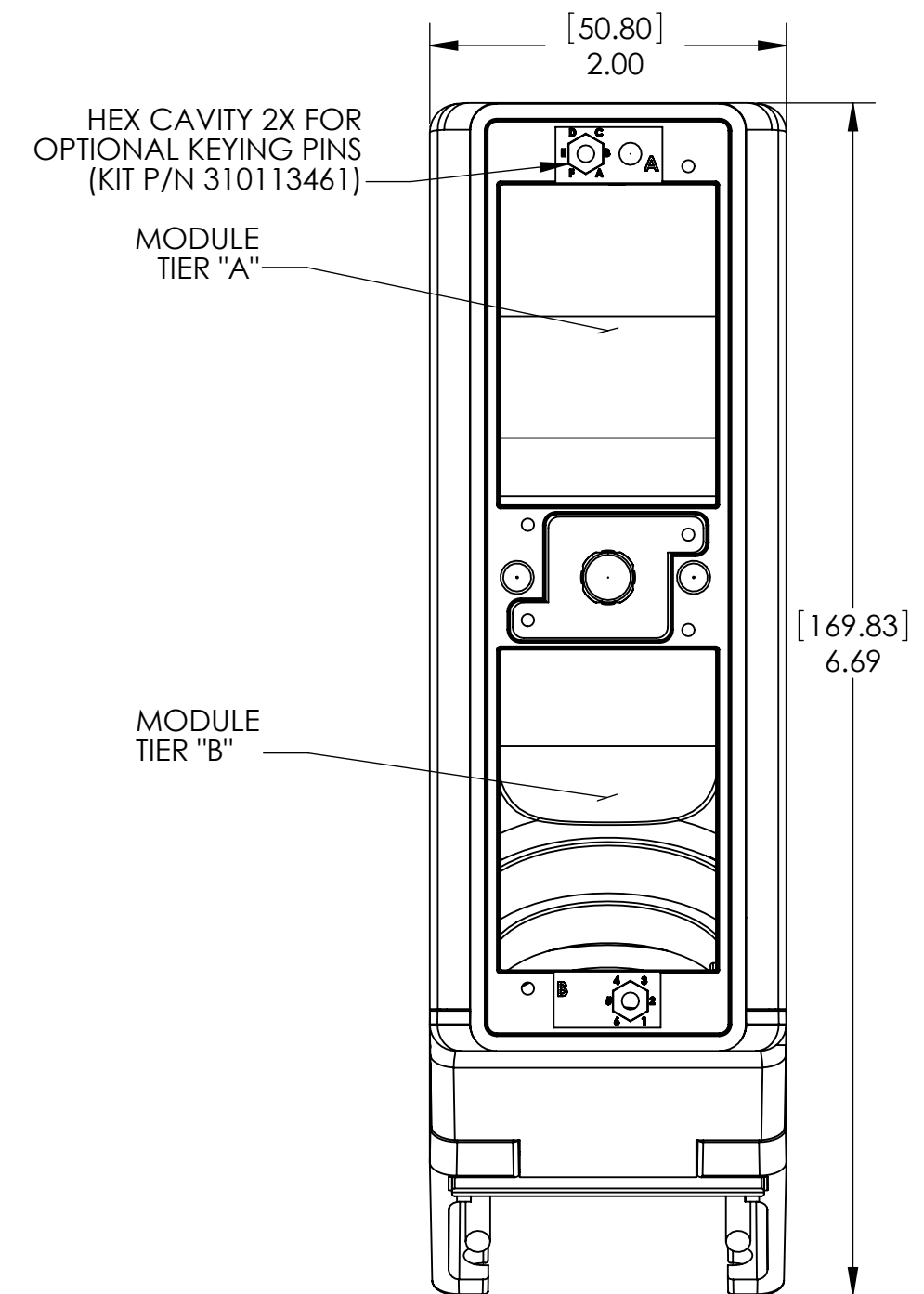


SECTION A-A

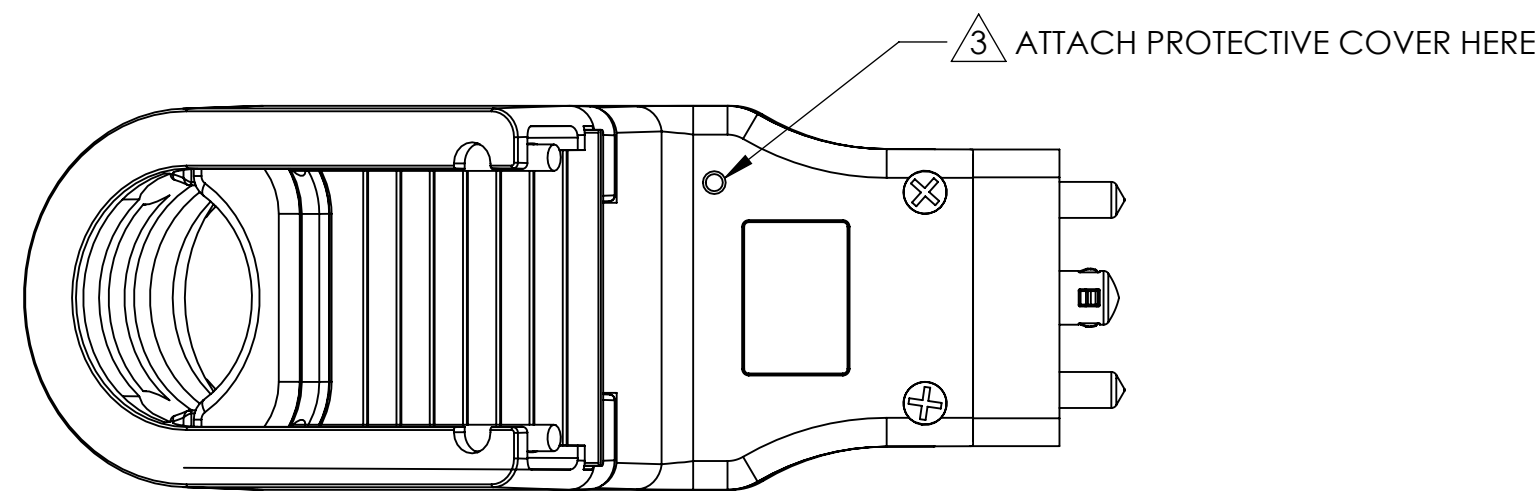


#6 GROUNDING SCREW

[136.85]
5.39



RCV MATING VIEW



3 ATTACH PROTECTIVE COVER HERE

5. MAXIMUM CONTACT MATING FORCE SHOULD NOT EXCEED 100 LBS [444.8 N]

4 MAX CABLE BUNDLE EFFECTIVE DIAMETER = 1.95 IN. CLAMP CAN BE INVERTED FOR SMALLER CABLE BUNDLES

3 PROTECTIVE COVER INCLUDED WITH ASSEMBLY (NOT SHOWN)

2. MATERIALS:
FRAME: ALUMINUM ALLOY - Ni PLATED
HARDWARE: STAINLESS STEEL ALLOY
DRIVE UNIT: BRONZE ALLOY & STAINLESS STEEL ALLOY
PLASTIC COMPONENTS & PROTECTIVE COVER: BLACK THERMOPLASTIC
CABLE CLAMP: ALUMINUM ALLOY, POWDER COATED

1. FOR APPLICATION USE & CARE INFORMATION CONSULT VPC USERS GUIDE @WWW.VPC.COM

NOTES:

| | | | |
|--|------------|-----------|-----------------------|
| RELATIVE CONNECTOR POSITIONS AND WIRE ROUTING ARE GENERIC AND MAY VARY WITH PINOUT | | | |
| DIMENSIONS ARE SHOWN AS: | SIZE | CAGE CODE | DWG. NO. |
| [MILLIMETERS] | C | 18117 | 410123232 |
| INCHES | SCALE: 1:1 | 410123232 | 5/6/2020 SHEET 1 OF 1 |

| | |
|----------------------------|--|
| CUSTOMER DRAWING | |
| VIRGINIA PANEL CORPORATION | |
| WWW.VPC.COM | |
| ITA, ICON XL | |

4

3

2

1