

4

3

2

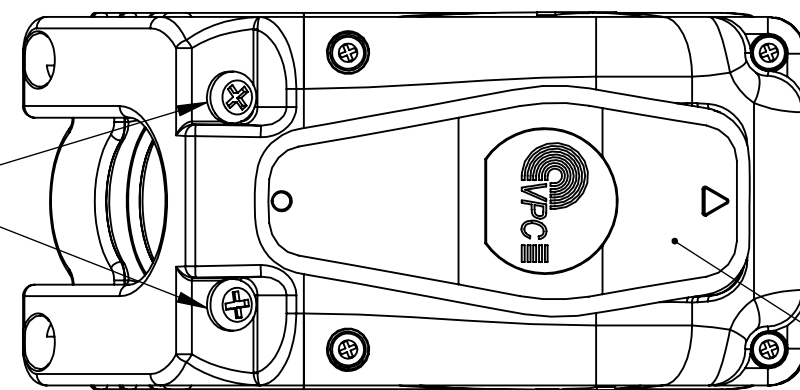
1

DO NOT SCALE DRAWING

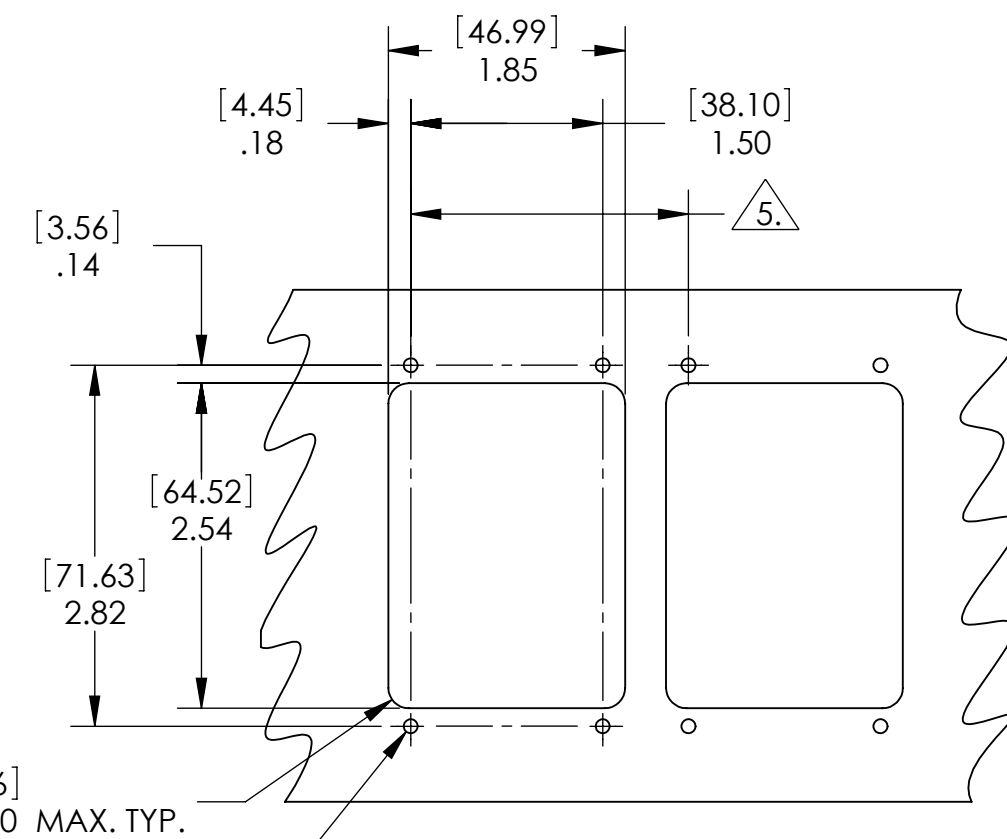
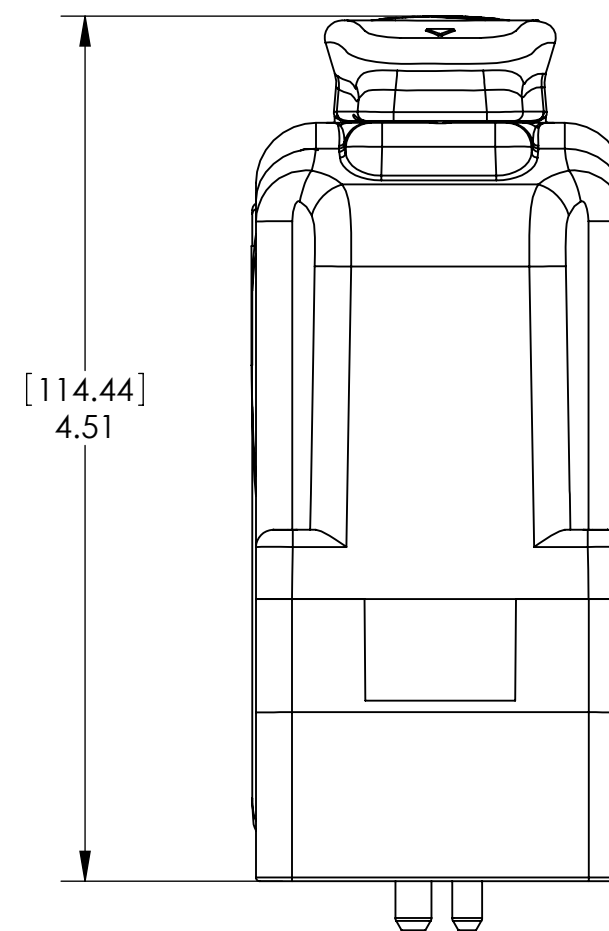
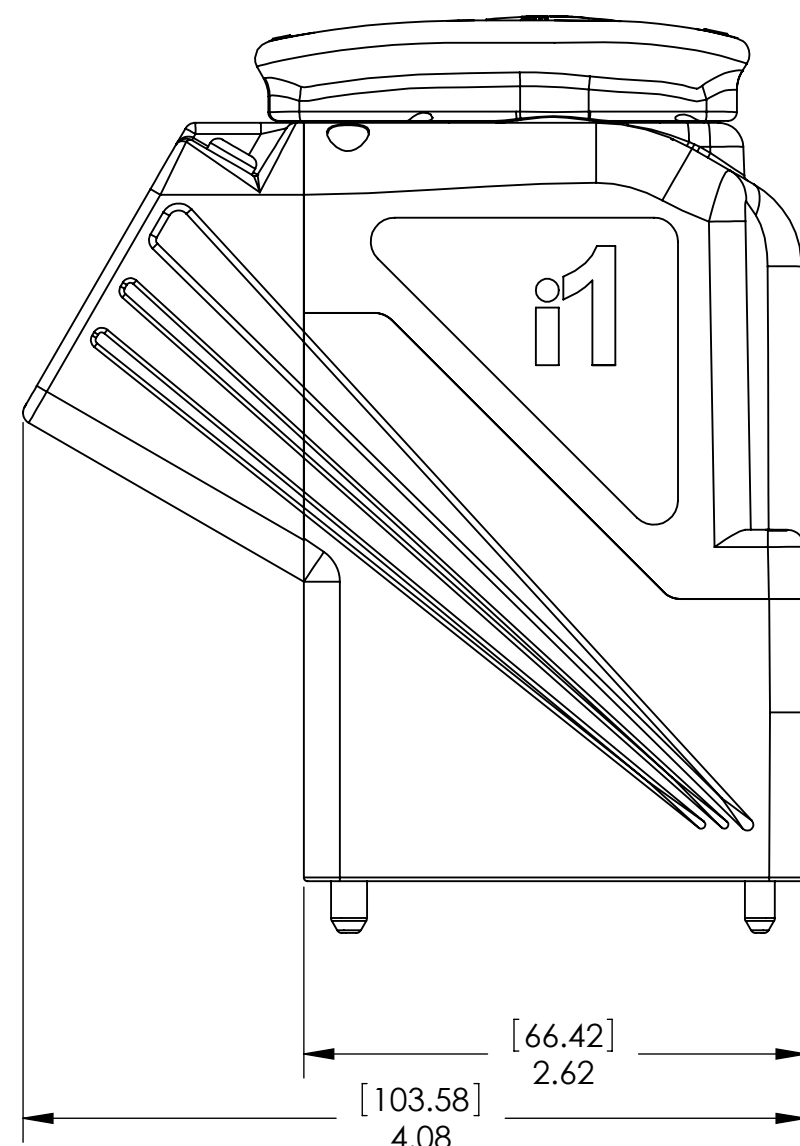
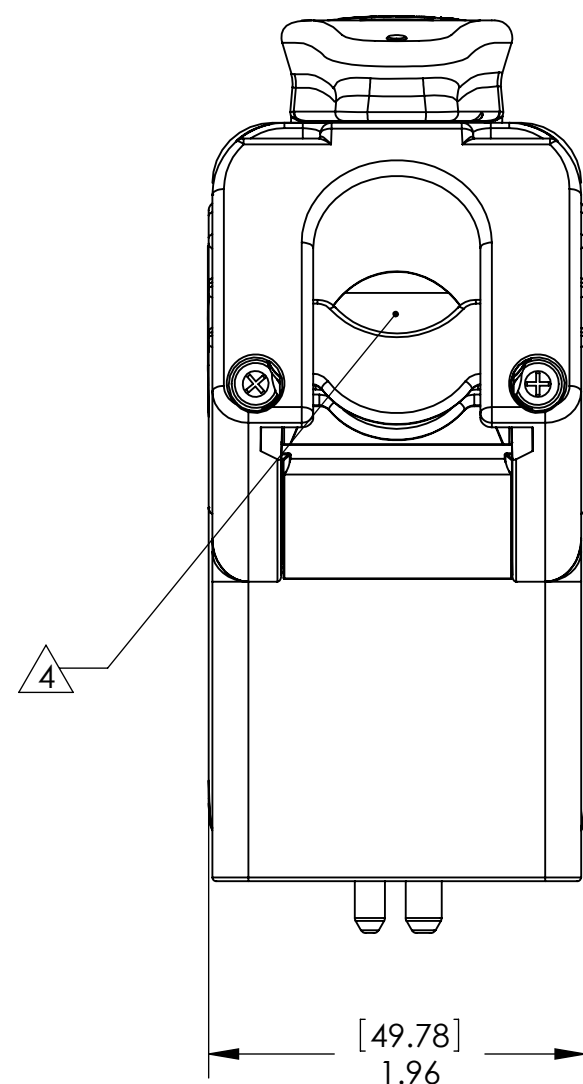
THE INFORMATION CONTAINED HEREIN IS THE EXCLUSIVE PROPERTY OF VIRGINIA PANEL CORPORATION AND IS SUBMITTED FOR USE BY THE CUSTOMER ONLY. THE DATA SHALL NOT BE DUPLICATED, USED, OR DISCLOSED IN WHOLE OR IN PART FOR ANY PURPOSE OTHER THAN TO MAINTAIN THE EQUIPMENT PROVIDED. CONSULT WITH VIRGINIA PANEL CORPORATION ENGINEERING IF MORE DETAIL IS REQUIRED.

REVISIONS			
REV	DESCRIPTION	DATE	ENGR
F	ECN #7187	12/5/16	J SHAND
G	ECN #8699	11/21/18	J FERSNER

RECOMMENDED LOCATIONS FOR ATTACHING PROTECTIVE COVER



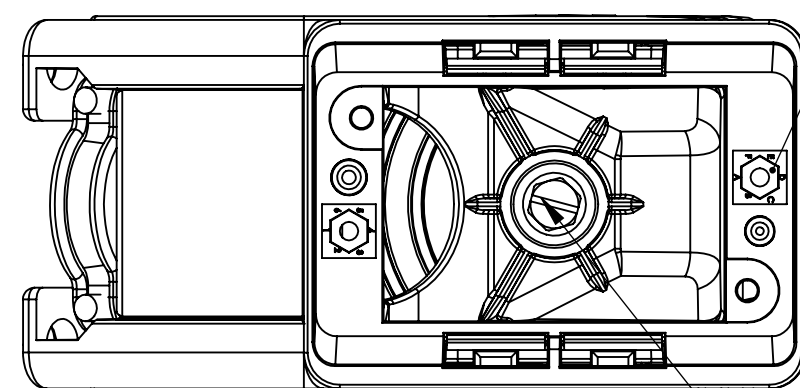
HANDLE SHOWN IN ENGAGED POSITION. ROTATE 180° COUNTER-CLOCKWISE FOR DISENGAGED POSITION.



CAVITY FOR KEYING KIT, TYP. 2 PLCS. ACCESSORY P/N 310113461 (2 KEYS PER KIT) NOT INCLUDED WITH ITA

FOR MOUNTING USE  $\phi$  [2.79] .11, 2-56 OR M2 TAPPED HOLE. (SUPPLIED WITH 4X 2-56 SCREWS, LOCK WASHERS AND NUTS)

**RECOMMENDED RECEIVER PANEL CUTOUT**  
TOLERANCES ARE:  
.XX =  $\pm$  [.25].01  
.XXX =  $\pm$  [.13].005  
UNLESS OTHERWISE SPECIFIED



#6 GROUNDING SCREW

5 STANDARD MINIMUM RECEIVER SPACING BETWEEN PANEL CUTOUTS IS 2.20" [55.88mm]. FOR A COMPLETE LIST OF SPACING DIMENSIONS, SEE i1 RECEIVER MOUNTING SECTION IN THE i1 USER'S MANUAL.

4 MAX CABLE BUNDLE EFFECTIVE DIAMETER = 1.07 IN CLAMP CAN BE INVERTED FOR SMALLER CABLE BUNDLES

3. PROTECTIVE COVER INCLUDED WITH ASSEMBLY (NOT SHOWN)

2. MATERIALS:  
OUTER SHELL COMPONENTS & HANDLE - THERMOPLASTIC  
INNER SHELL - ALUMINUM ALLOY  
SPRING LOCK BEAMS - Ni PLATED COPPER ALLOY  
DECALS - VINYL OVER POLYESTER  
HARDWARE & PINS - STAINLESS STEEL

1. FOR APPLICATION USE & CARE INFORMATION CONSULT VPC USERS GUIDE @WWW.VPC.COM

NOTES:

<b>CUSTOMER DRAWING</b>			
<b>VIRGINIA PANEL CORPORATION</b> WWW.VPC.COM			
<b>i1 ITA</b>			
DIMENSIONS ARE SHOWN AS:	SIZE	CAGE CODE	DWG. NO.
[MILLIMETERS]	C	18117	410128101
INCHES	SCALE: 1:4	410128101	8/4/09 SHEET 1 OF 1

4

3

2

1