

4

3

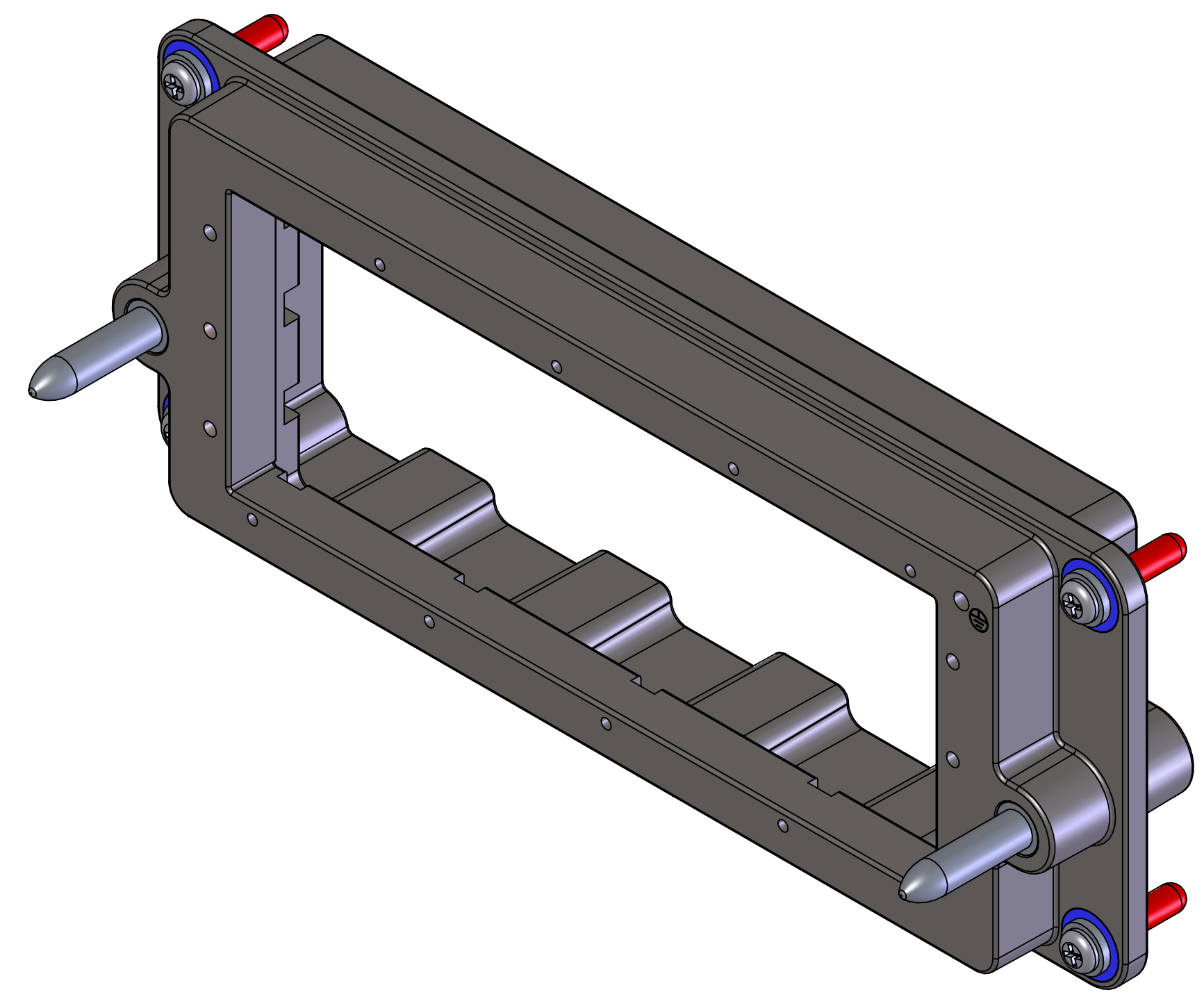
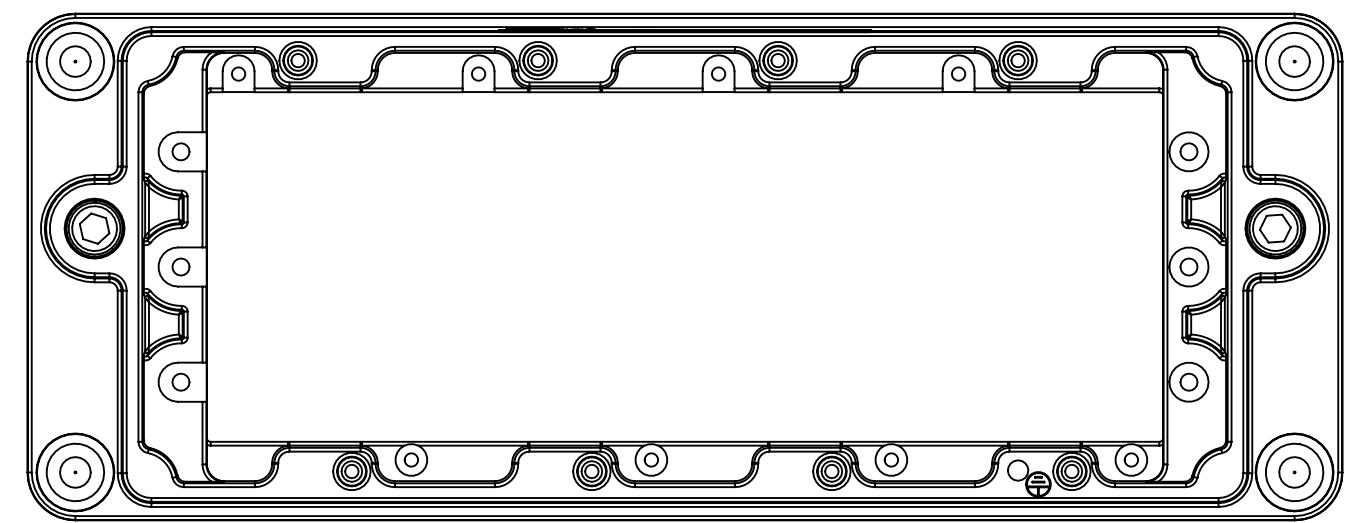
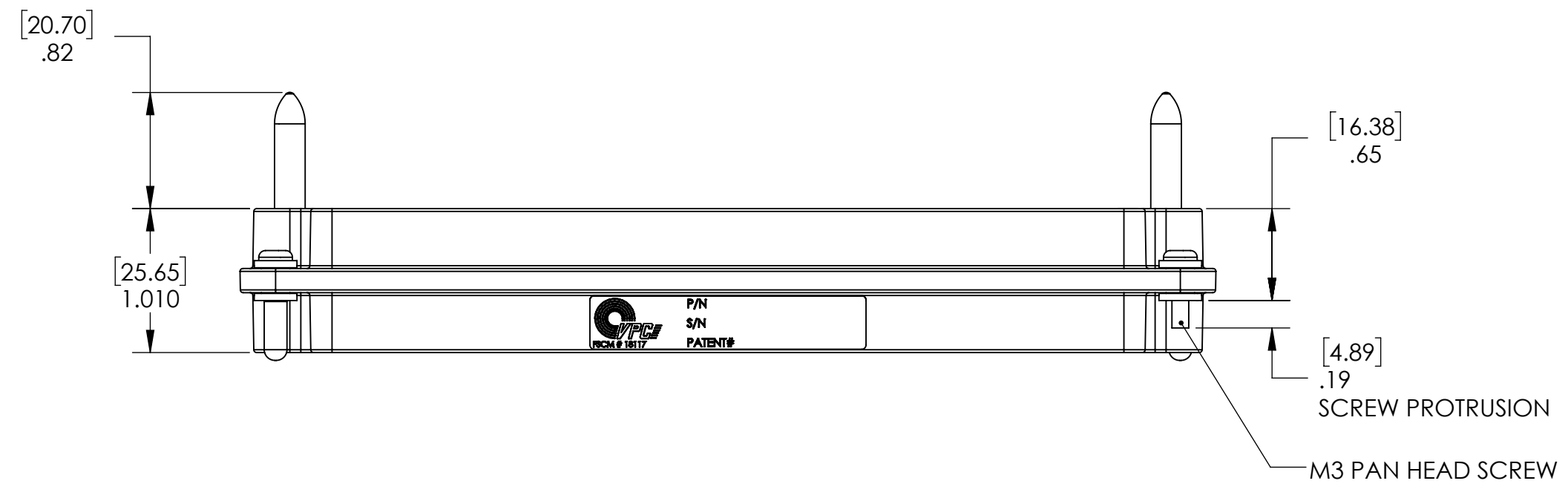
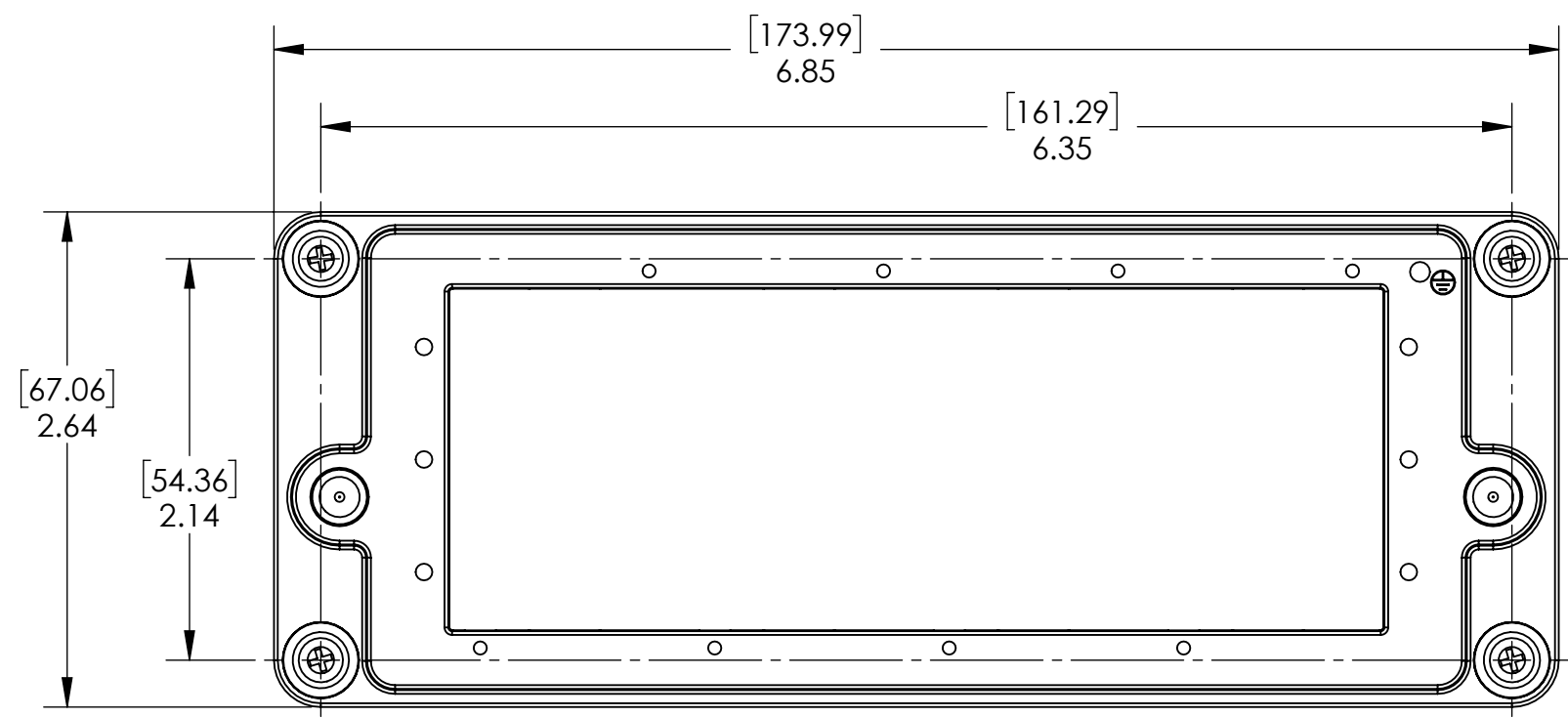
2

1

DO NOT SCALE DRAWING

THE INFORMATION CONTAINED HEREIN IS THE EXCLUSIVE PROPERTY OF VIRGINIA PANEL CORPORATION AND IS SUBMITTED FOR USE BY THE CUSTOMER ONLY. THE DATA SHALL NOT BE DUPLICATED, USED, OR DISCLOSED IN WHOLE OR IN PART FOR ANY PURPOSE OTHER THAN TO MAINTAIN THE EQUIPMENT PROVIDED. CONSULT WITH VIRGINIA PANEL CORPORATION ENGINEERING IF MORE DETAIL IS REQUIRED.

REVISIONS			
REV	DESCRIPTION	DATE	ENGR
B	ECN #8971	3/20/19	R HERRON



3. ACCEPTABLE TEMPERATURE RANGE: -40° TO 80° C

2. MATERIALS:  
FRAME - ALUMINUM, NICKEL PLATED  
BUSHINGS - NYLON AND STAINLESS STEEL, PASSIVATED  
HARDWARE - STAINLESS STEEL, PASSIVATED

1. FOR APPLICATION USE & CARE INFORMATION CONSULT VPC USERS GUIDE @WWW.VPC.COM

NOTES:

RELATIVE CONNECTOR POSITIONS AND WIRE ROUTING ARE GENERIC AND MAY VARY WITH PINOUT  
DIMENSIONS ARE SHOWN AS:  
[MILLIMETERS]  
INCHES

<b>CUSTOMER DRAWING</b>			
<b>VIRGINIA PANEL CORPORATION</b> WWW.VPC.COM			
<b>DOCKING CONNECTOR</b> <b>D3-D4 ITA</b>			
SIZE <b>C</b>	CAGE CODE <b>18117</b>	DWG. NO. <b>410131101</b>	REV <b>B</b>
SCALE: 1:1	410131101	7/12/17	SHEET 1 OF 2

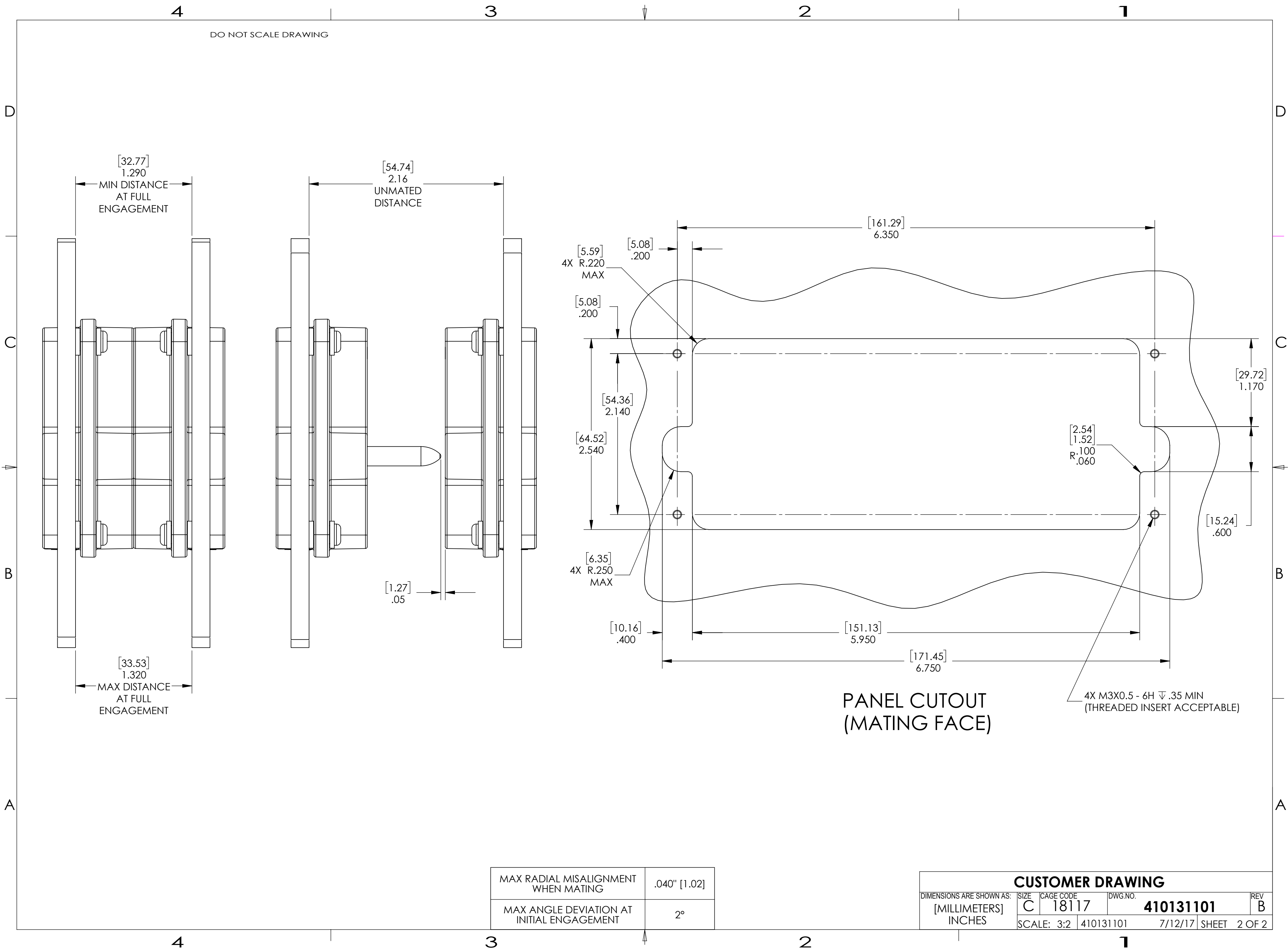
4

3

2

1

DO NOT SCALE DRAWING



PANEL CUTOUT  
(MATING FACE)

4X M3X0.5 - 6H  $\nabla$ .35 MIN  
(THREADED INSERT ACCEPTABLE)

MAX RADIAL MISALIGNMENT WHEN MATING	.040" [1.02]
MAX ANGLE DEVIATION AT INITIAL ENGAGEMENT	2°

<b>CUSTOMER DRAWING</b>			
DIMENSIONS ARE SHOWN AS:	SIZE	CAGE CODE	DWG. NO.
[MILLIMETERS]	C	18117	410131101
INCHES	SCALE: 3:2	410131101	7/12/17 SHEET 2 OF 2