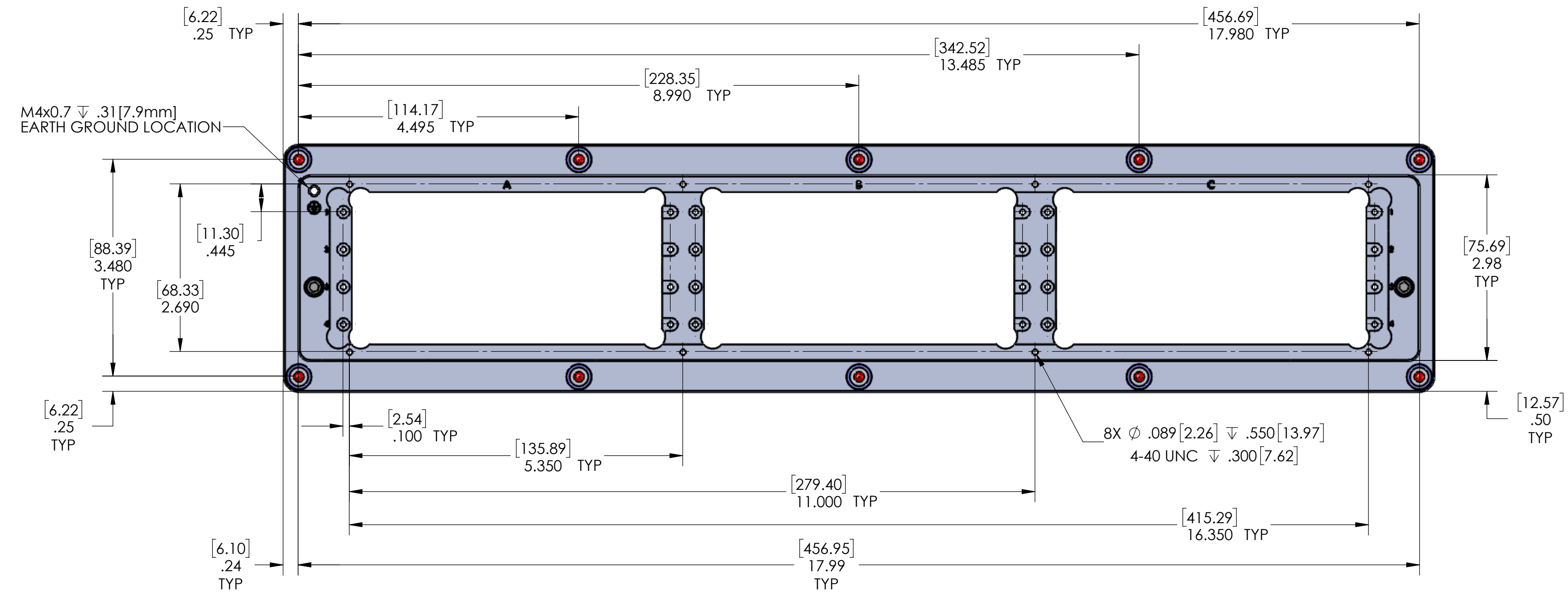
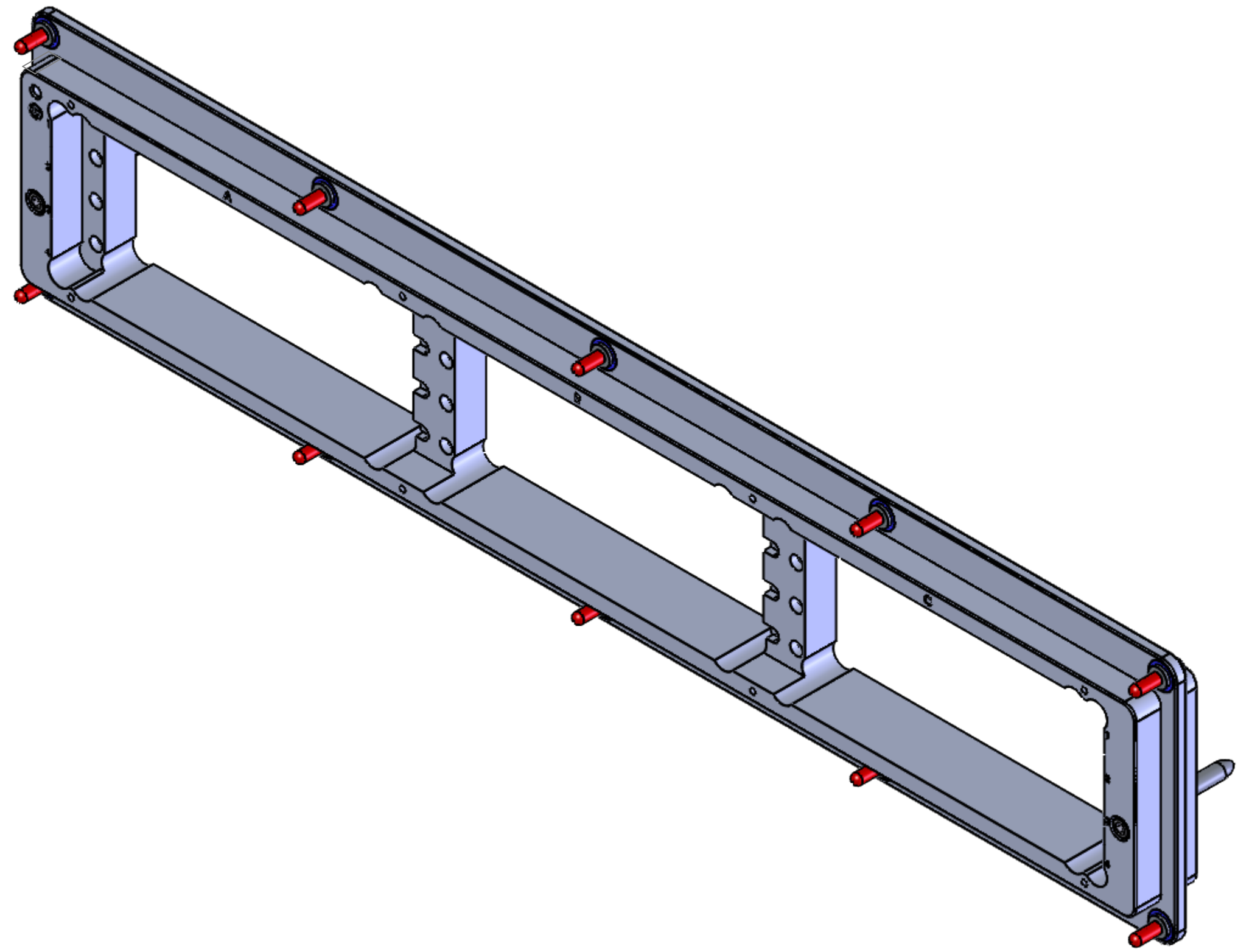
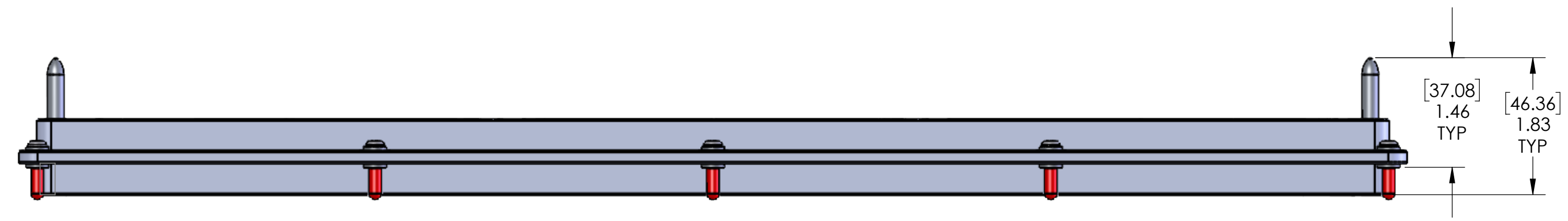
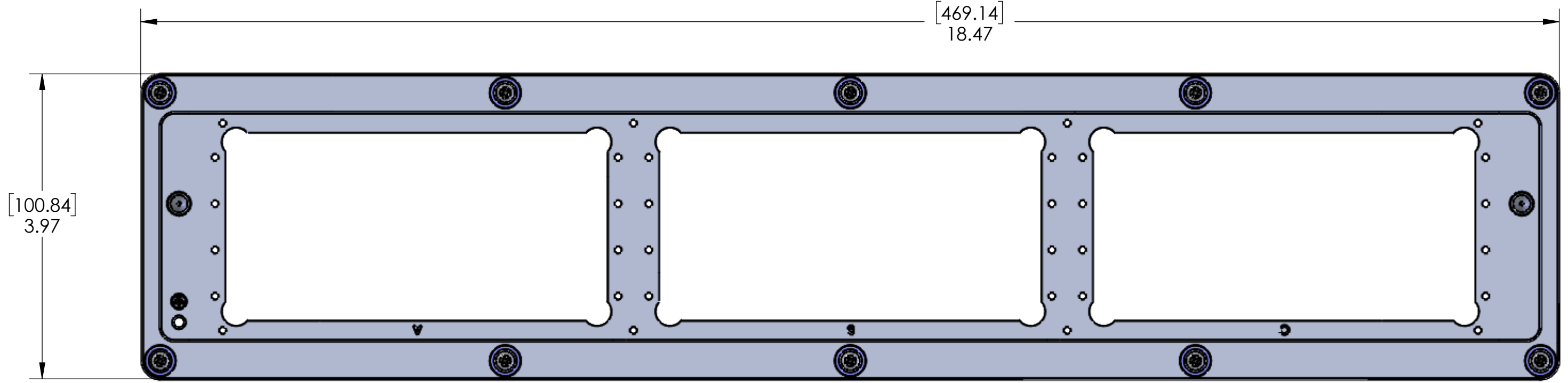


8 7 6 5 4 3 2 1

DO NOT SCALE DRAWING

THE INFORMATION CONTAINED HEREIN IS THE EXCLUSIVE PROPERTY OF VIRGINIA PANEL CORPORATION AND IS SUBMITTED FOR USE BY THE CUSTOMER ONLY. THE DATA SHALL NOT BE DUPLICATED, USED OR DISCLOSED IN WHOLE OR IN PART FOR ANY PURPOSE OTHER THAN TO MAINTAIN THE EQUIPMENT PROVIDED. CONSULT WITH VIRGINIA PANEL CORPORATION ENGINEERING IF MORE DETAIL IS REQUIRED.

REVISIONS			
REV	DESCRIPTION	DATE	ENGR
B	ECN #9214	6/28/2019	R GARMAN



3. MATERIALS AND FINISHES  
 FRAME - ALUMINUM, NICKEL PLATED  
 ALIGNMENT PINS - STAINLESS STEEL, PASSIVATED  
 MOUNTING HARDWARE - STAINLESS STEEL, PASSIVATED

2. PRODUCT WEIGHT - 1.85 LBS [0.84 KG]

1. FOR APPLICATION USE AND CARE INFORMATION CONSULT VPC USERS GUIDE @ WWW.VPC.COM

NOTES:

8 7 6 5 4 3 2 1

<b>CUSTOMER DRAWING</b>			
<b>VIRGINIA PANEL CORPORATION</b> WWW.VPC.COM			
<b>D12 ITA DOCKING CONNECTOR</b>			
RELATIVE CONNECTOR POSITIONS AND WIRE ROUTING ARE GENERIC AND MAY VARY WITH PROFIT.	SIZE	CAGE CODE	DWG. NO.
DIMENSIONS ARE SHOWN AS:	D	18117	410131103
[MILLIMETERS]			
INCHES	SCALE: 3:4	410131103	12/1/2017 SHEET 1 OF 2

8

7

6

5

4

3

2

1

DO NOT SCALE DRAWING

D

D

C

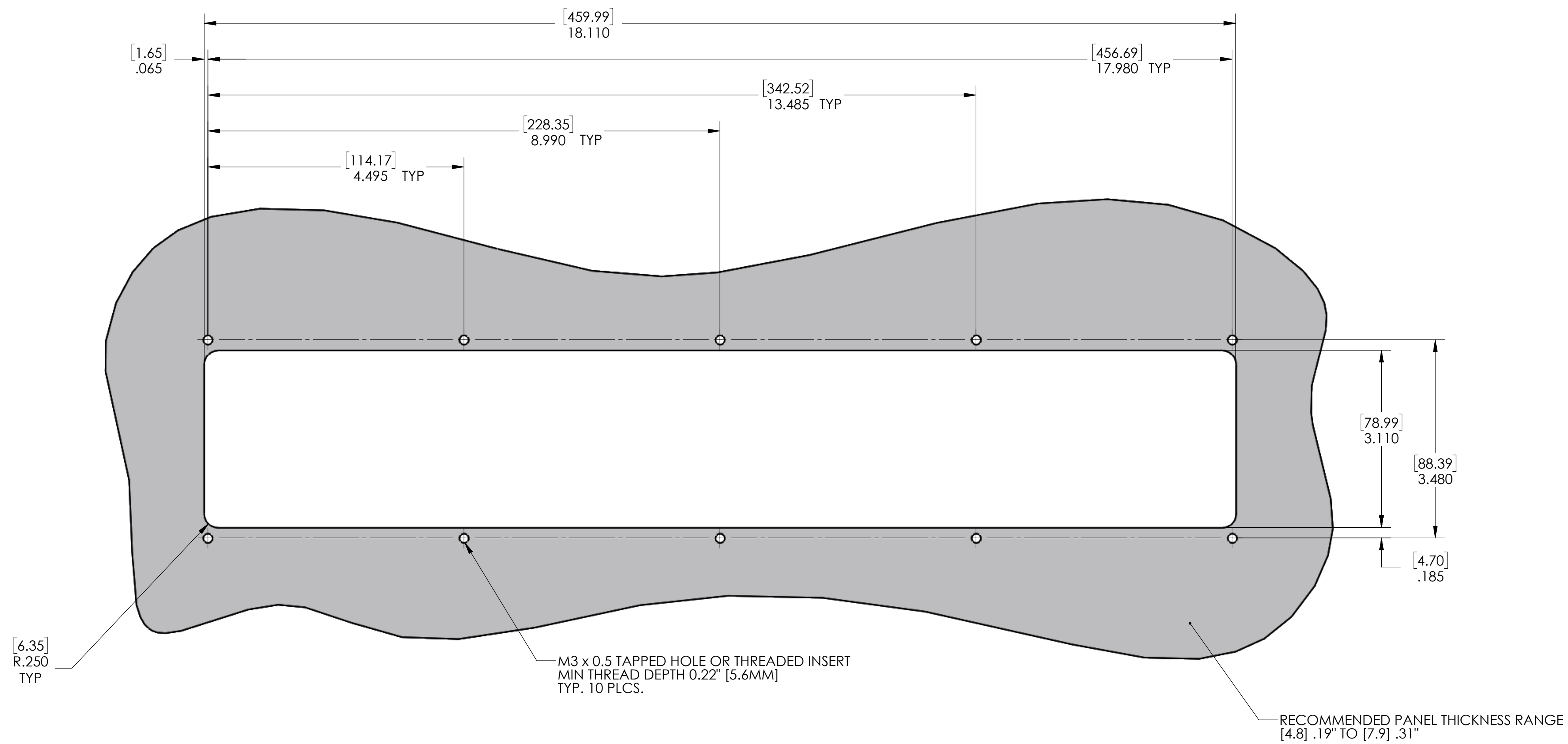
C

B

B

A

A



### RECOMMENDED D12 ITA PANEL CUTOUT

NOTES:

8

7

6

5

4

3

2

1

CUSTOMER DRAWING				
DIMENSIONS ARE SHOWN AS:	SIZE	CAGE CODE	DWG. NO.	REV
[MILLIMETERS]	D	18117	410131103	B
INCHES	SCALE: 3:4	410131103	SHEET 2 OF 2	