

4

3

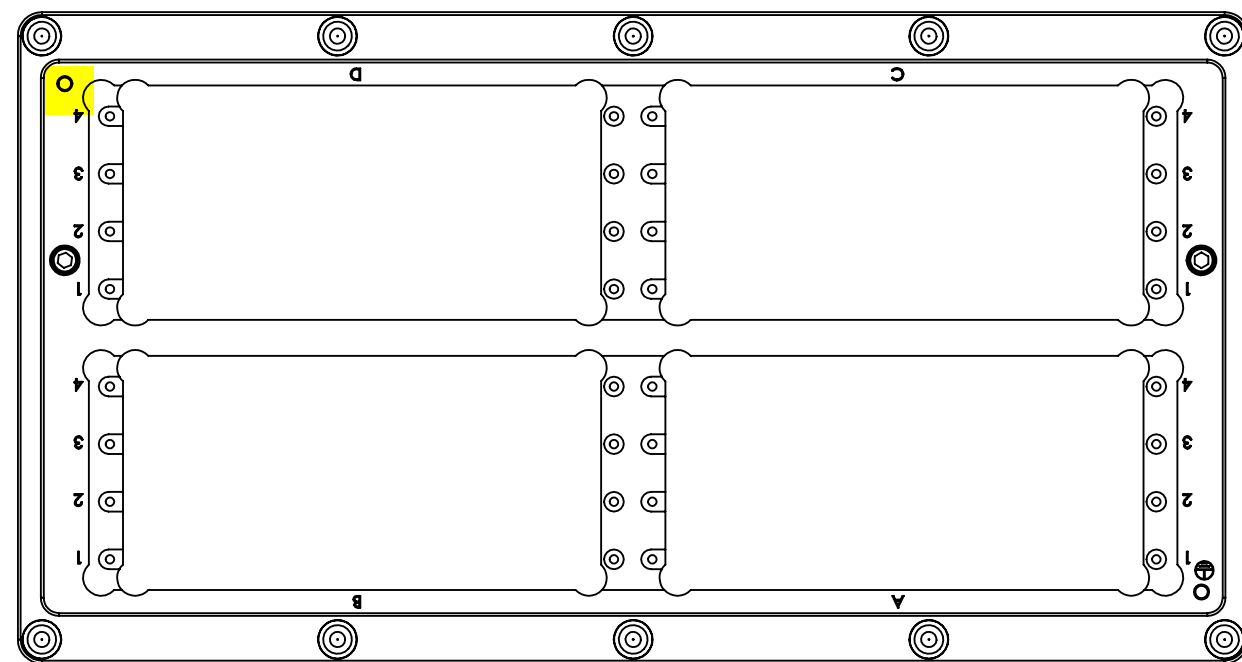
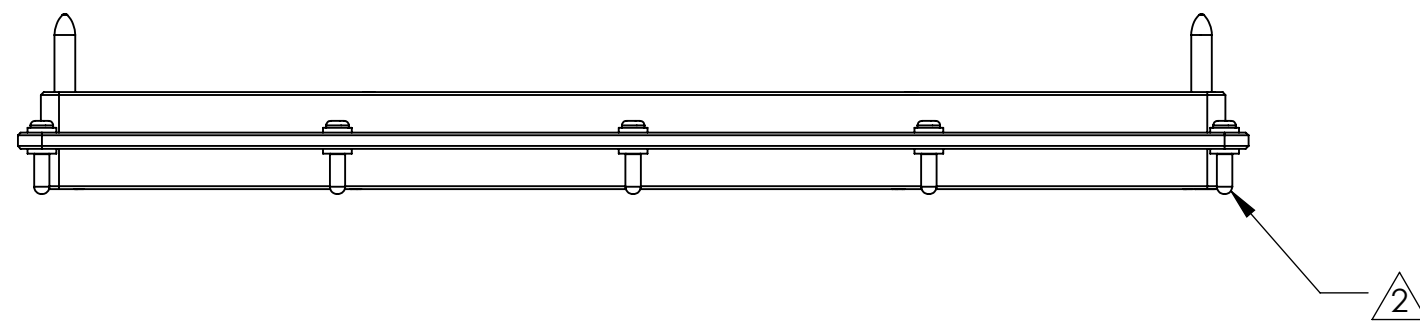
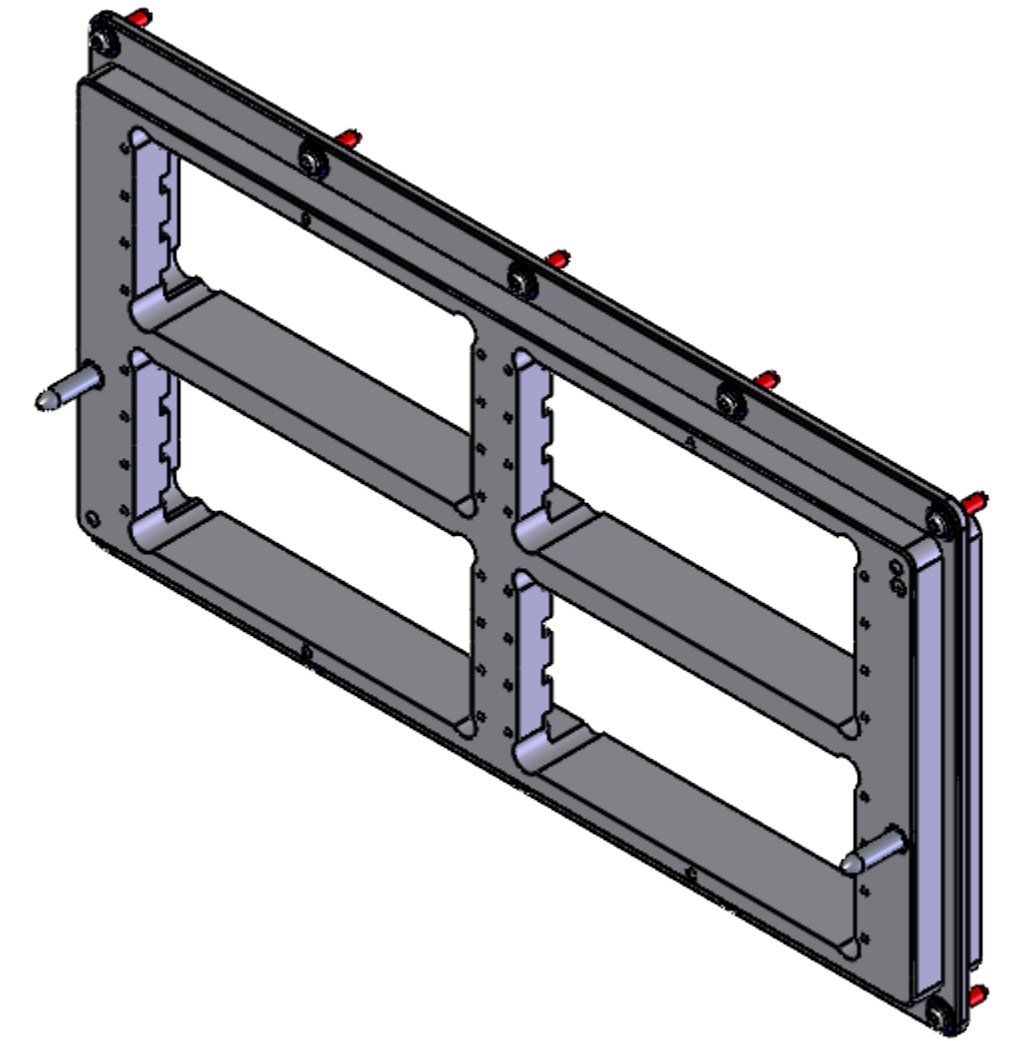
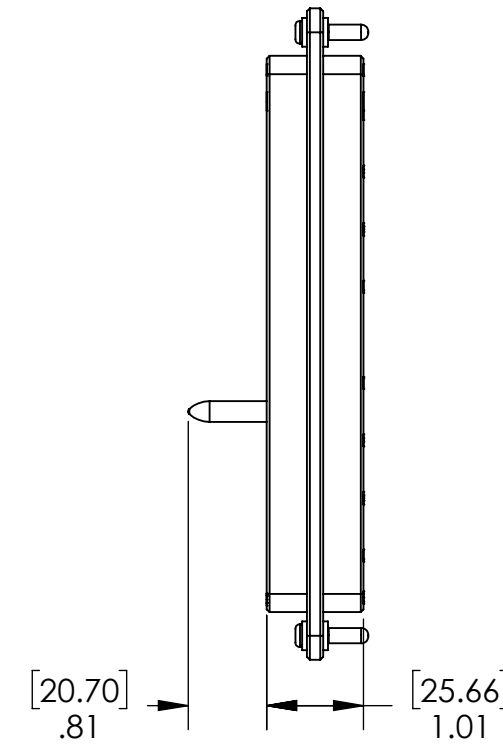
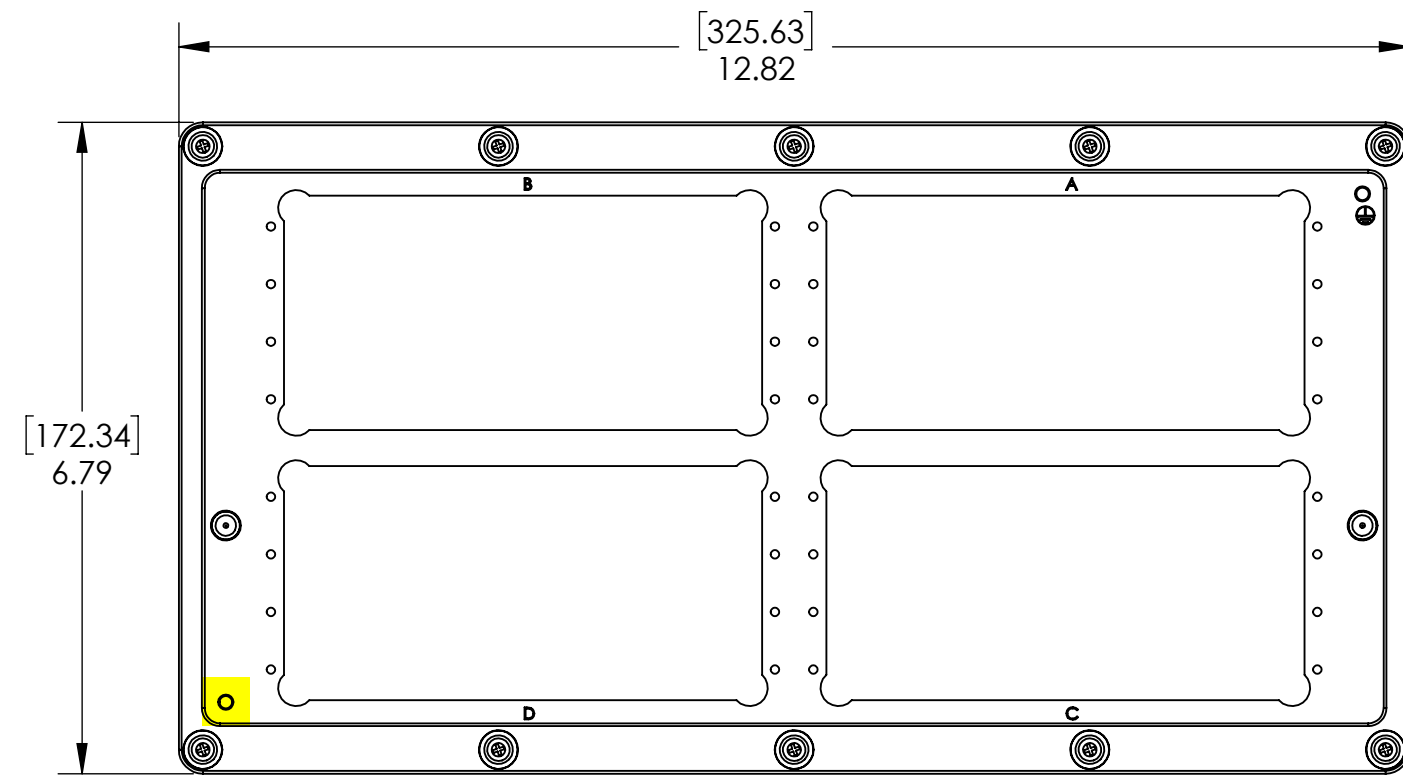
2

1

DO NOT SCALE DRAWING

THE INFORMATION CONTAINED HEREIN IS THE EXCLUSIVE PROPERTY OF VIRGINIA PANEL CORPORATION AND IS SUBMITTED FOR USE BY THE CUSTOMER ONLY. THE DATA SHALL NOT BE DUPLICATED, USED, OR DISCLOSED IN WHOLE OR IN PART FOR ANY PURPOSE OTHER THAN TO MAINTAIN THE EQUIPMENT PROVIDED. CONSULT WITH VIRGINIA PANEL CORPORATION ENGINEERING IF MORE DETAIL IS REQUIRED.

REVISIONS			
REV	DESCRIPTION	DATE	ENGR
C	ECN #14530	10/28/24	R HERRON



3. MATERIALS
 FRAME - Ni PLATED ALUMINUM
 HARDWARE - STAINLESS STEEL
 WASHERS - NYLON

2 REMOVE RETAINING CAPS AND DISCARD

1. FOR APPLICATION USE & CARE INFORMATION CONSULT VPC USERS GUIDE @WWW.VPC.COM

NOTES:

CUSTOMER DRAWING			
VIRGINIA PANEL CORPORATION WWW.VPC.COM			
ITA, 16 POS DOCKING			
RELATIVE CONNECTOR POSITIONS AND WIRE ROUTING ARE GENERIC AND MAY VARY WITH PINOUT	DIMENSIONS ARE SHOWN AS:	SIZE	CAGE CODE
	[MILLIMETERS] INCHES	C	18117
DWG. NO.	REV	SCALE: 1:2	SHEET 1 OF 2
410131111	C	410131111	7/27/23

4

3

2

1

4

3

2

1

DO NOT SCALE DRAWING

D

D

C

C

B

B

A

A

[32.77]
1.290
MIN DISTANCE
AT FULL ENGAGEMENT

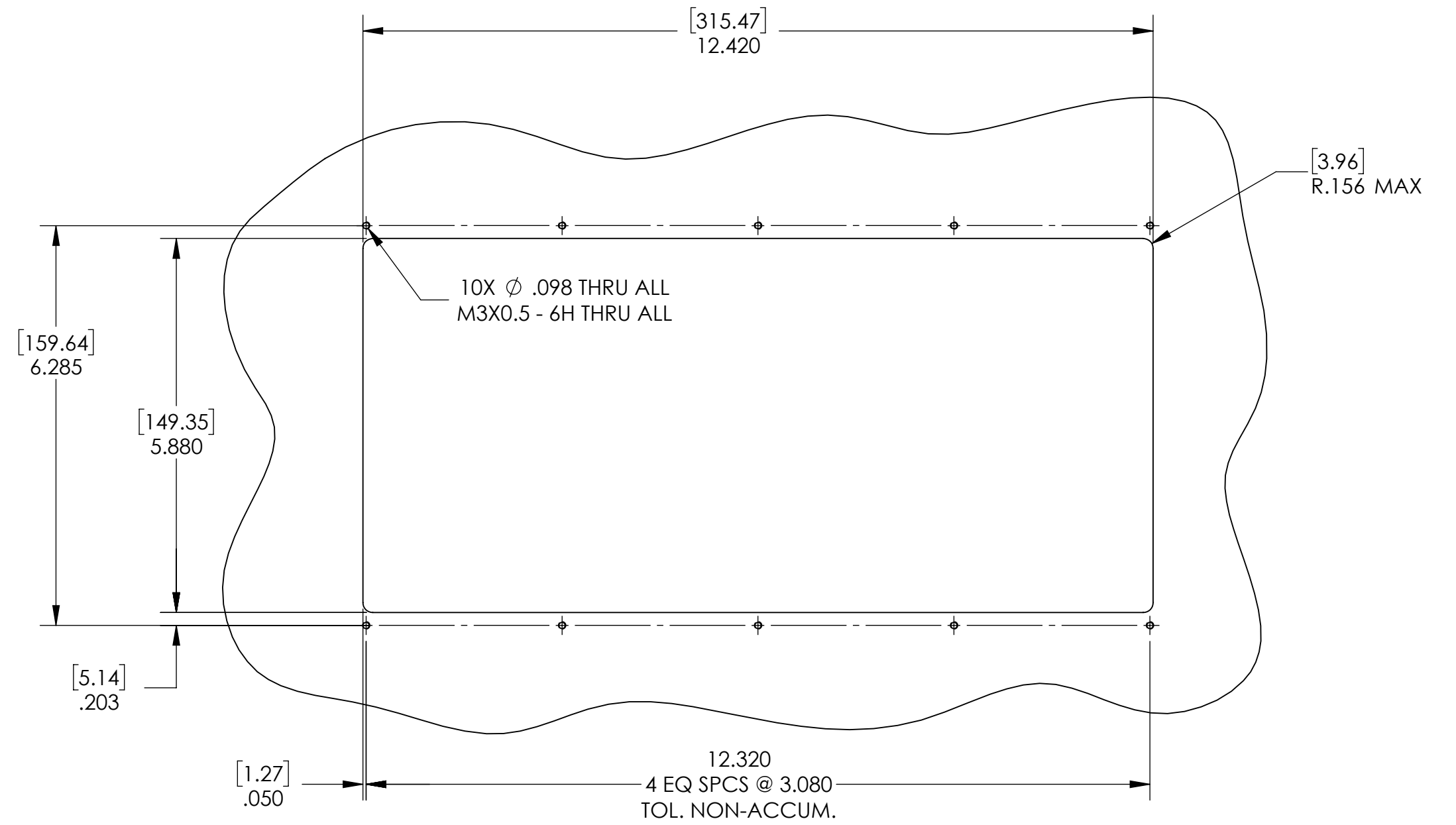
[54.86]
2.160
UNMATED
DISTANCE

RCV FRAME

ITA FRAME

[33.53]
1.320
MAX DISTANCE
AT FULL ENGAGEMENT

[1.65]
.065



RECOMMENDED PANEL CUT-OUT

CUSTOMER DRAWING

DIMENSIONS ARE SHOWN AS:	SIZE	CAGE CODE	DWG. NO.	REV
[MILLIMETERS]	C	18117	410131111	C
INCHES	SCALE: 1:2	410131111	SHEET 2 OF 2	

4

3

2

1