

4

3

2

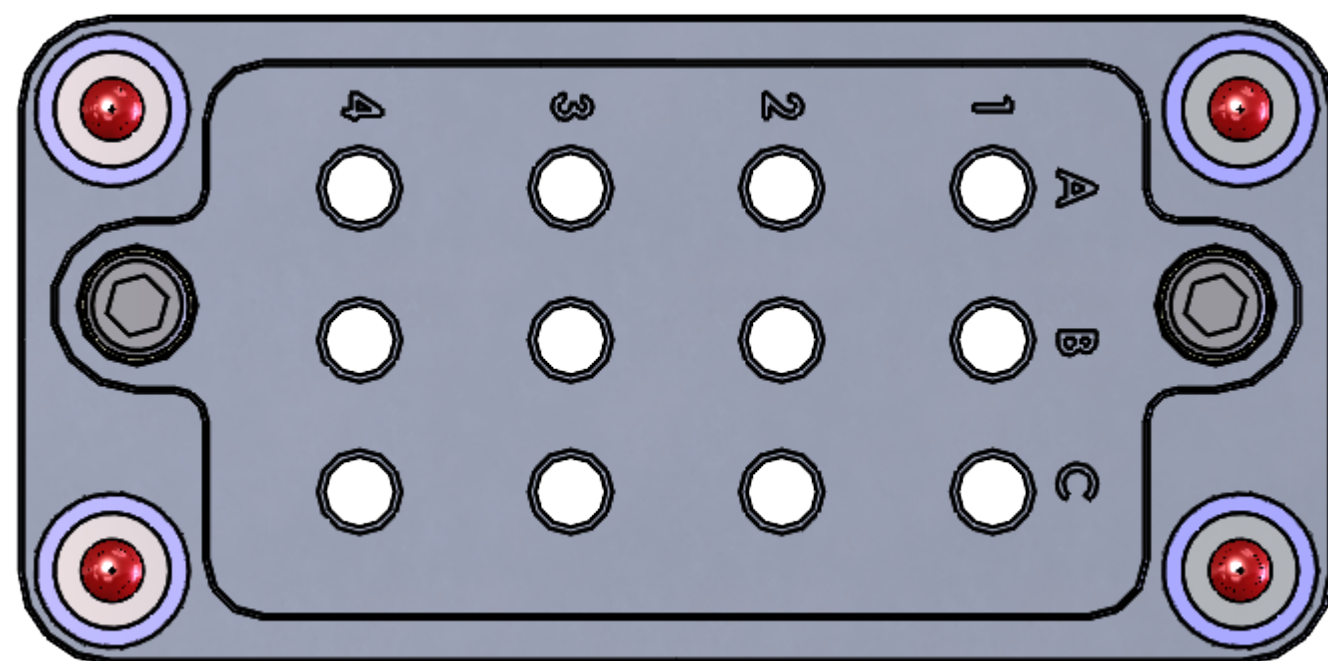
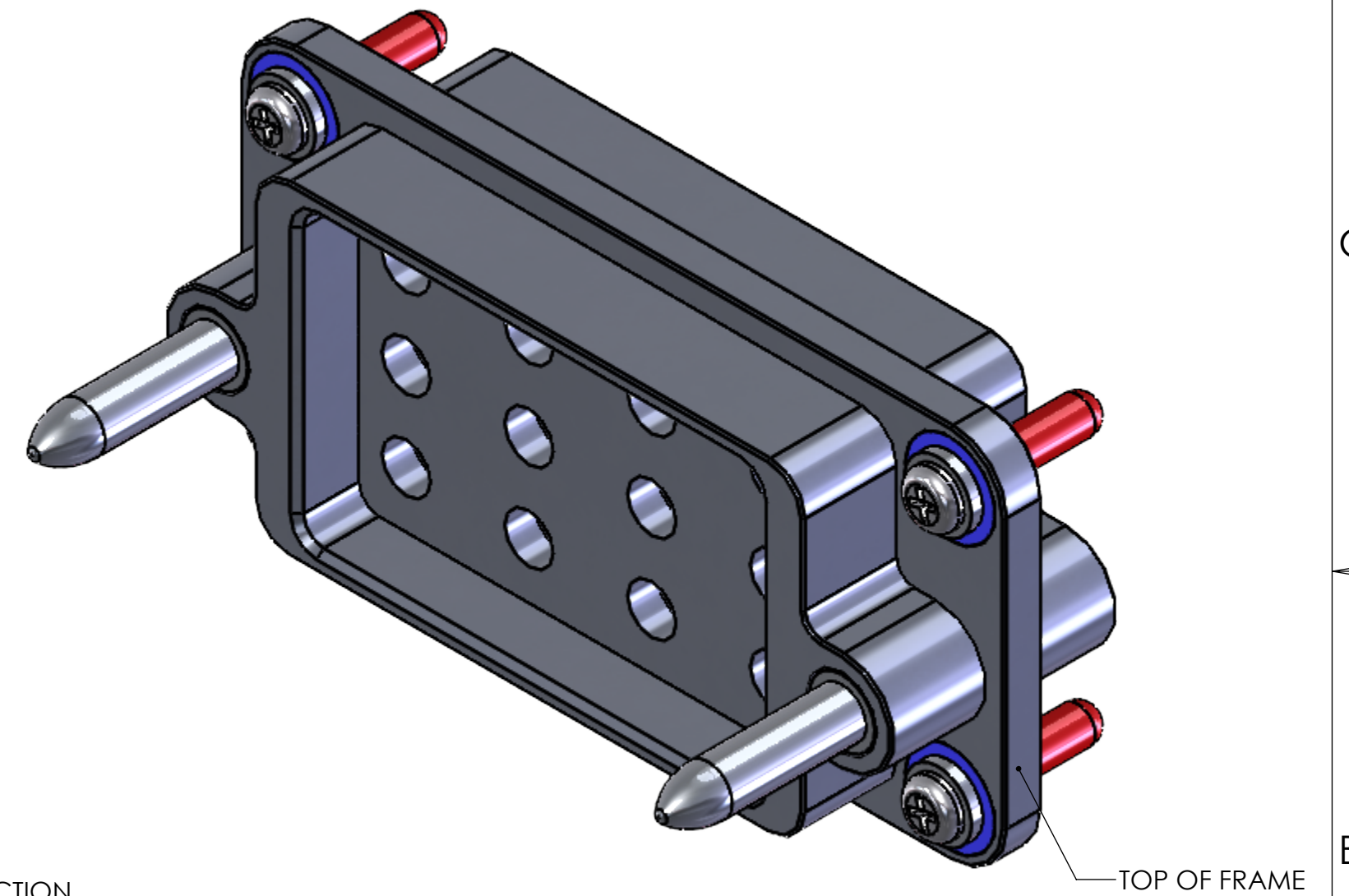
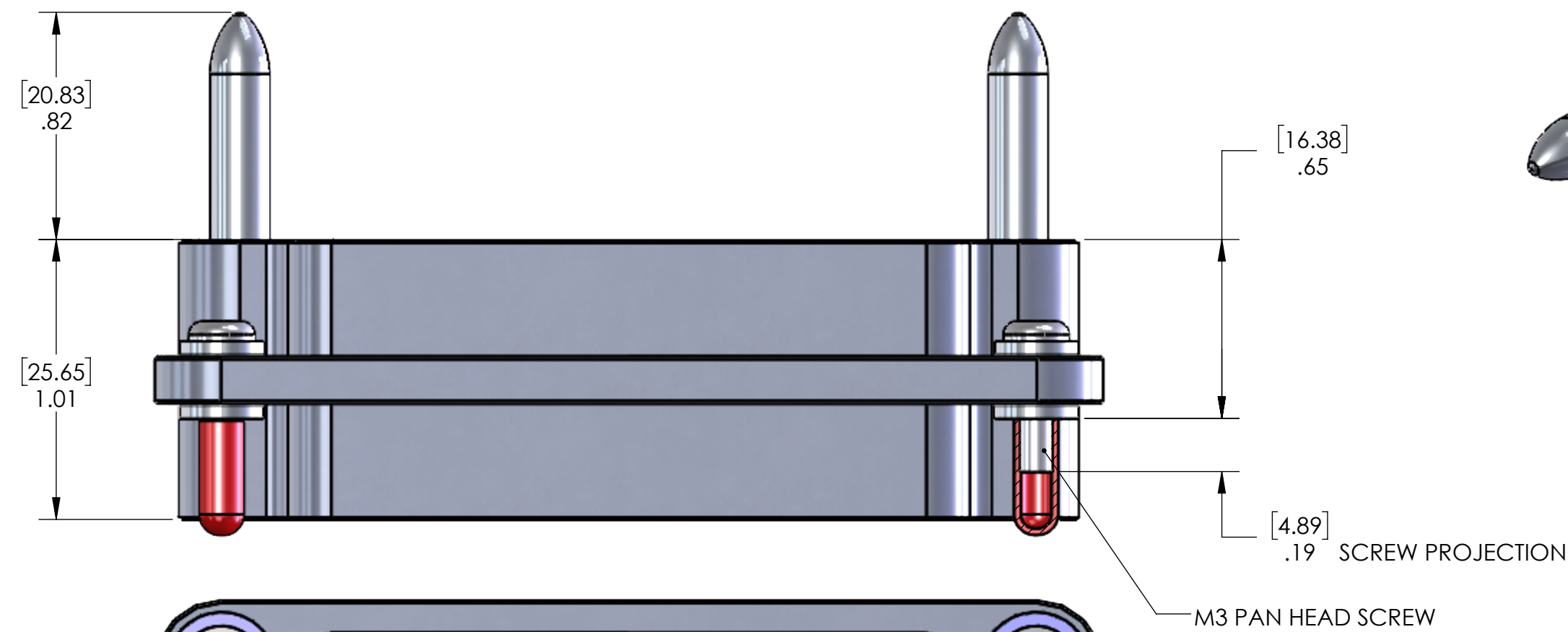
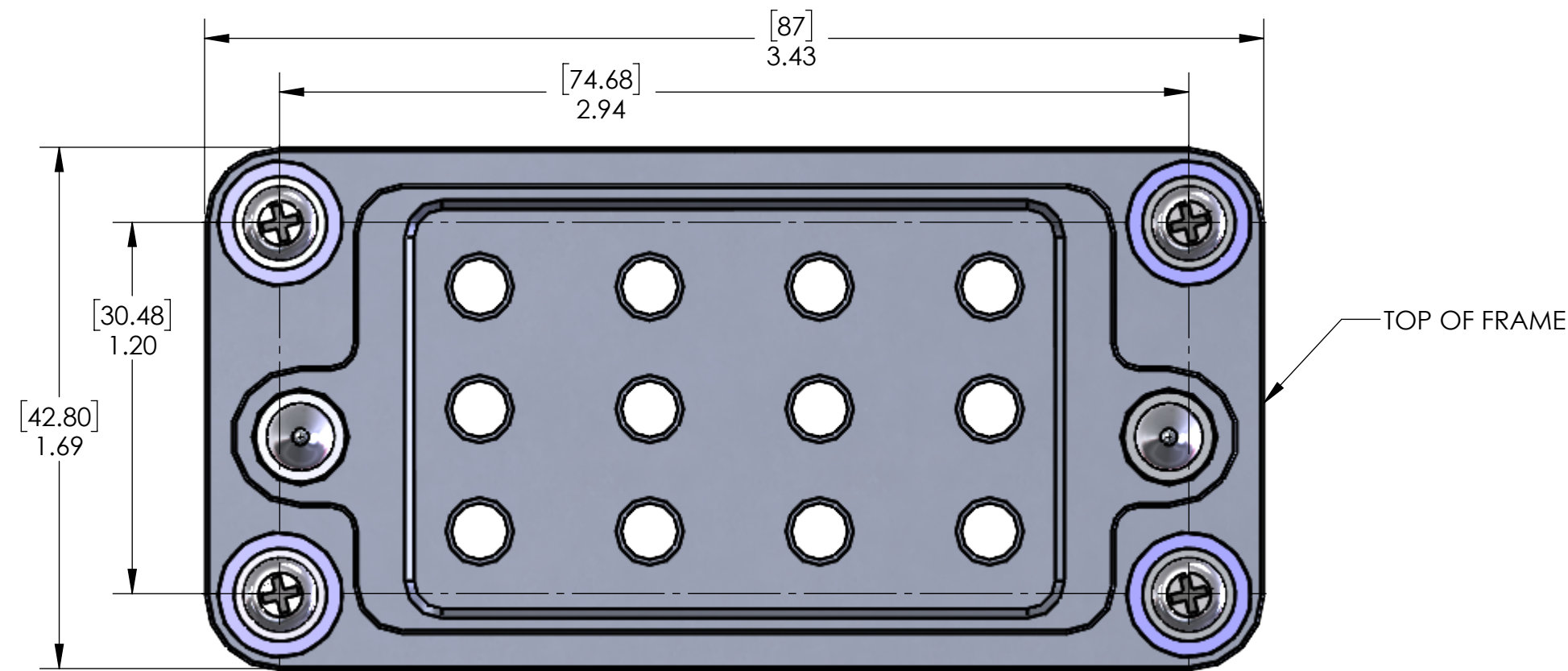
1

DO NOT SCALE DRAWING

THE INFORMATION CONTAINED HEREIN IS THE EXCLUSIVE PROPERTY OF VIRGINIA PANEL CORPORATION AND IS SUBMITTED FOR USE BY THE CUSTOMER ONLY. THE DATA SHALL NOT BE DUPLICATED, USED, OR DISCLOSED IN WHOLE OR IN PART FOR ANY PURPOSE OTHER THAN TO MAINTAIN THE EQUIPMENT PROVIDED. CONSULT WITH VIRGINIA PANEL CORPORATION ENGINEERING IF MORE DETAIL IS REQUIRED.

REVISIONS

REV	DESCRIPTION	DATE	ENGR
A	DRAWING ORIGINATION; ECN #15433	11/20/2025	R GARMAN



- 3. ACCEPTABLE TEMPERATURE RANGE -40° TO 80° C.
- 2. FRAME MATERIAL - ALUMINUM, CLEAR ANODIZED  
BUSHING MATERIAL - STAINLESS STEEL, PASSIVATED AND NYLON  
HARDWARE - STAINLESS STEEL, PASSIVATED

1. FOR APPLICATION USE & CARE INFORMATION CONSULT VPC USERS GUIDE @WWW.VPC.COM  
NOTES:

RELATIVE CONNECTOR POSITIONS AND WIRE ROUTING ARE GENERIC AND MAY VARY WITH PINOUT  
DIMENSIONS ARE SHOWN AS:  
[MILLIMETERS]  
INCHES

<b>CUSTOMER DRAWING</b>			
<b>VIRGINIA PANEL CORPORATION</b> WWW.VPC.COM			
<b>D1 ITA 12 POS PNU DOCKING CONNECTOR</b>			
SIZE <b>C</b>	CAGE CODE <b>18117</b>	DWG. NO. <b>410131117</b>	REV <b>A</b>
SCALE: 2:1		SHEET 1 OF 2	

4

3

2

1

4

3

2

1

DO NOT SCALE DRAWING

D

D

[31.37]  
1.235  
MIN. DISTANCE  
AT FULL  
ENGAGEMENT

[53.34]  
2.10  
UNMATED  
DISTANCE

[1.27]  
.05

C

C

B

B

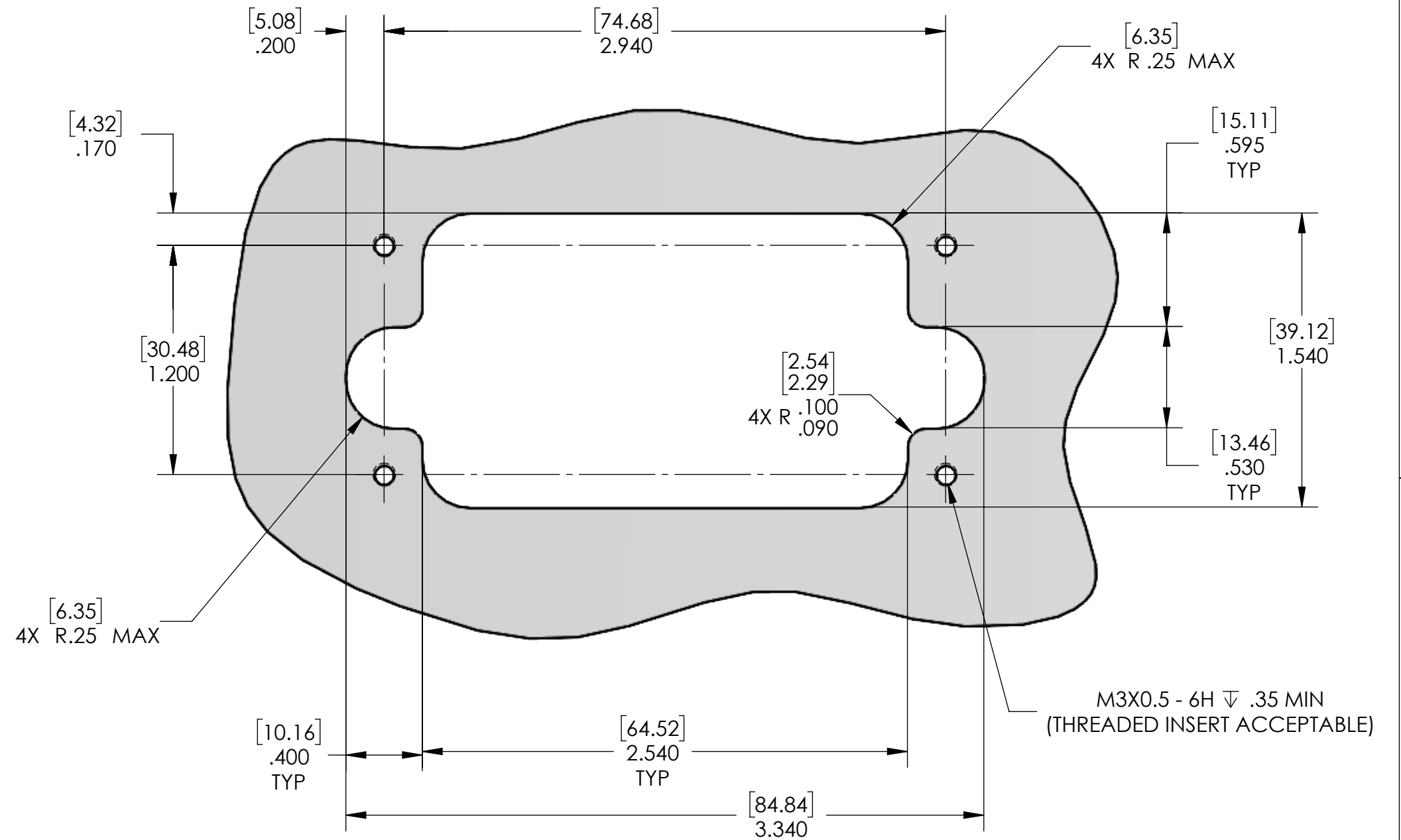
B

B

A

A

[32.13]  
1.265  
MAX DISTANCE  
AT FULL  
ENGAGEMENT



PANEL CUTOUT  
(MATING FACE)

MAX RADIAL MISALIGNMENT WHEN MATING	.020" [.51]
MAX ANGLE DEVIATION AT INITIAL ENGAGEMENT	2°

<b>CUSTOMER DRAWING</b>			
DIMENSIONS ARE SHOWN AS:	SIZE	CAGE CODE	DWG. NO.
[MILLIMETERS]	C	18117	410131117
INCHES	SCALE: 3:2		REV A
			SHEET 2 OF 2

4

3

2

1