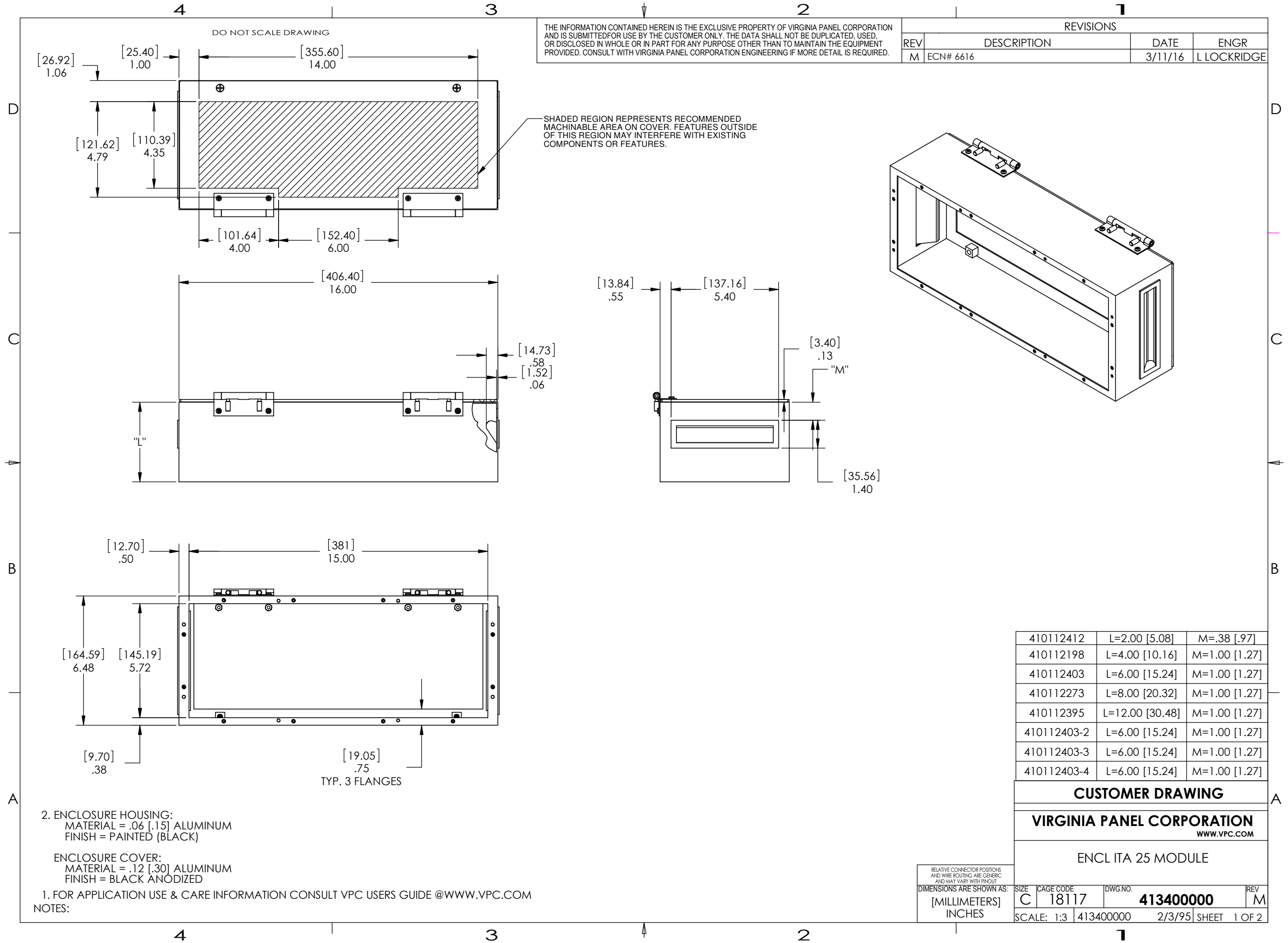


THE INFORMATION CONTAINED HEREIN IS THE EXCLUSIVE PROPERTY OF VIRGINIA PANEL CORPORATION AND IS SUBMITTED FOR USE BY THE CUSTOMER ONLY. THE DATA SHALL NOT BE DUPLICATED, USED, OR DISCLOSED IN WHOLE OR IN PART FOR ANY PURPOSE OTHER THAN TO MAINTAIN THE EQUIPMENT PROVIDED. CONSULT WITH VIRGINIA PANEL CORPORATION ENGINEERING IF MORE DETAIL IS REQUIRED.

REVISIONS			
REV	DESCRIPTION	DATE	ENGR
M	ECN# 6616	3/11/16	L LOCKRIDGE



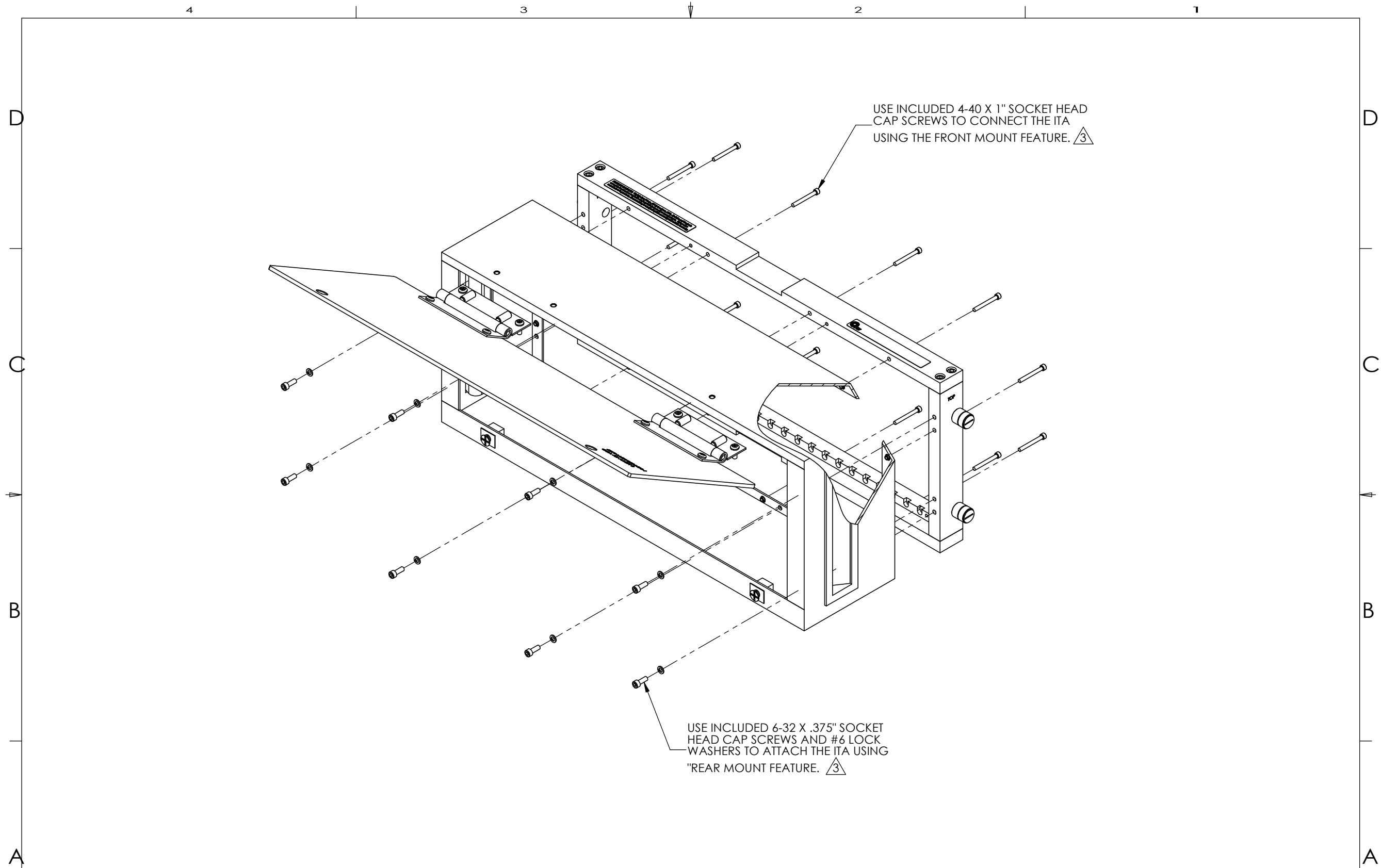
2. ENCLOSURE HOUSING:
MATERIAL = .06 [.15] ALUMINUM
FINISH = PAINTED (BLACK)

ENCLOSURE COVER:
MATERIAL = .12 [.30] ALUMINUM
FINISH = BLACK ANODIZED

1. FOR APPLICATION USE & CARE INFORMATION CONSULT VPC USERS GUIDE @WWW.VPC.COM

NOTES:

CUSTOMER DRAWING			
VIRGINIA PANEL CORPORATION WWW.VPC.COM			
ENCL ITA 25 MODULE			
SIZE	CAGE CODE	DWG. NO.	REV
C	18117	413400000	M
SCALE:	1:3	413400000	2/3/95 SHEET 1 OF 2



$\triangle 3$ BOTH FRONT AND REAR ITA MOUNTING OPTIONS AND HARDWARE ARE INCLUDED. FOR ITA FRAMES THAT INCLUDE BOTH OPTIONS, ONLY ONE MOUNTING METHOD IS REQUIRED.

NOTES:

DO NOT SCALE DRAWING

CUSTOMER DRAWING - CUSTOMER DRAWING - CUSTOMER DRAWING

THE INFORMATION CONTAINED HEREIN IS THE EXCLUSIVE PROPERTY OF VIRGINIA PANEL CORPORATION AND IS SUBMITTED FOR USE BY THE CUSTOMER ONLY. THE DATA SHALL NOT BE DUPLICATED, USED, OR DISCLOSED IN WHOLE OR IN PART FOR ANY PURPOSE OTHER THAN TO MAINTAIN THE EQUIPMENT PROVIDED.

SIZE	CAGE CODE	DWG.NO.	REV
C	18117	413400000	M
SCALE: 1:2		413400000	2/3/95 SHEET 2 OF 2