

4

3

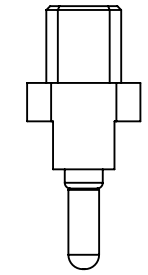
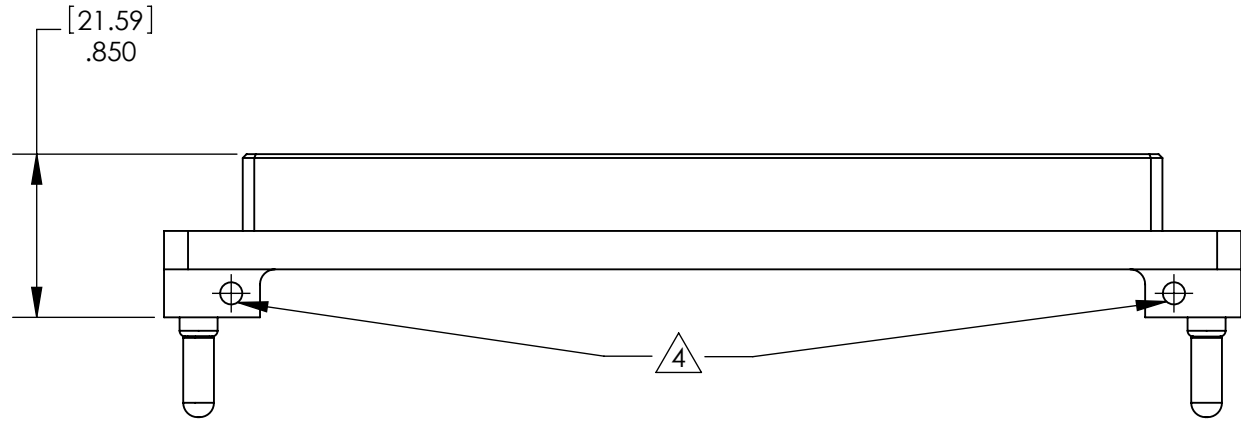
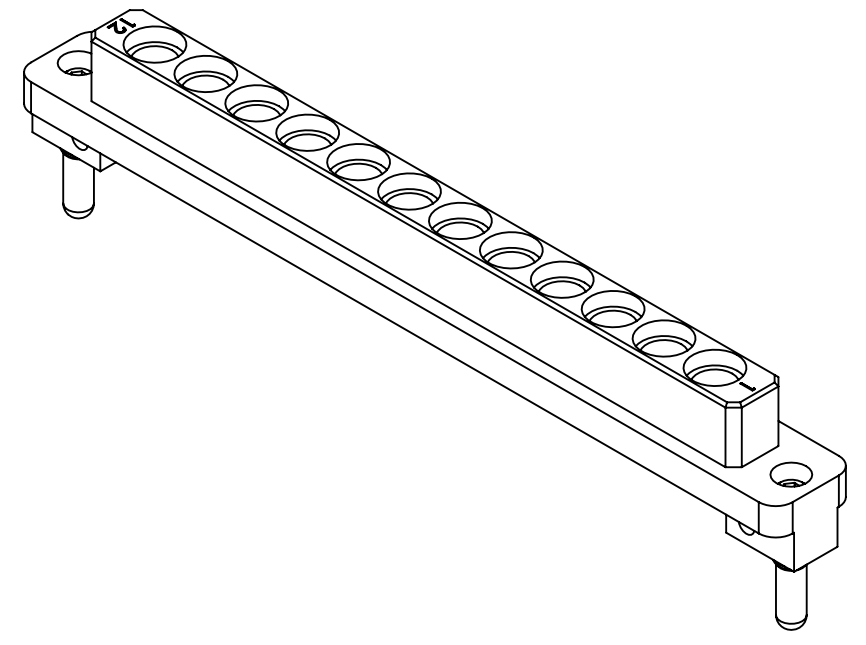
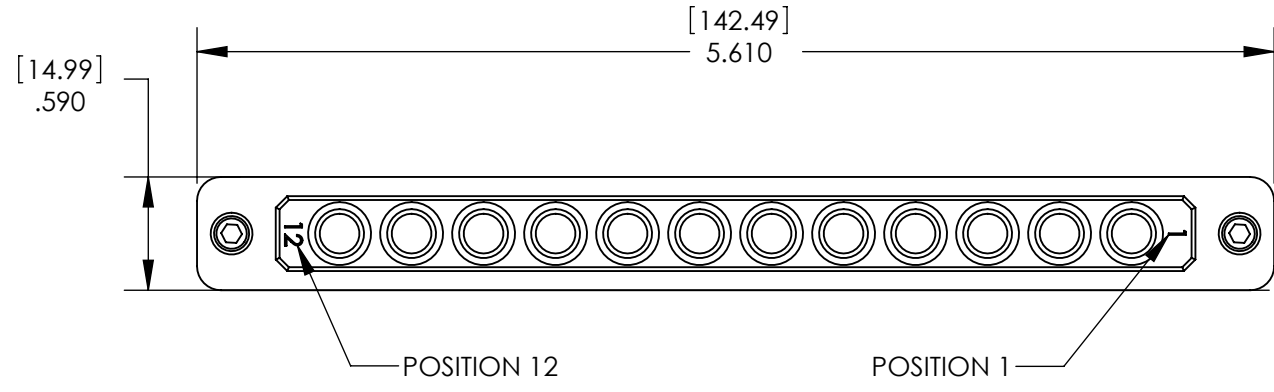
2

1

DO NOT SCALE DRAWING

THE INFORMATION CONTAINED HEREIN IS THE EXCLUSIVE PROPERTY OF VPC AND IS PERMITTED FOR USE BY THE CUSTOMER ONLY. THE DATA SHALL NOT BE DUPLICATED, USED, OR DISCLOSED IN WHOLE OR IN PART FOR ANY PURPOSE OTHER THAN TO MAINTAIN THE EQUIPMENT PROVIDED.

REV	DESCRIPTION	DATE	ENGINEER
M	ECN #15140	9/23/2025	J HARDIGREE



- 4 CLEARANCE HOLES FOR USE WITH STRAIN RELIEF PLATE. MAX TORQUE OF 4 IN-LBS [.452N-m]
 - 3. CONTACTS USED
POWER CONTACTS, RECEIVER
COAX CONTACTS, 50 OHM, RECEIVER
 - 2. MATING ITA MODULE: 510108102
STRAIN RELIEF PLATE: 510109116
 - 1. FOR MORE INFORMATION, VISIT VPC.COM.
- NOTES:

CUSTOMER DRAWING



POWER/COAX MODULE, RECEIVER, 12 POSITION

RELATIVE CONNECTOR POSITIONS AND WIRE ROUTING ARE GENERIC AND MAY VARY WITH PINOUT		
DIMENSIONS ARE SHOWN AS:	DWG. NO.	REV
[MILLIMETERS]	510104102	M
INCHES	SCALE NONE	CAGE CODE 18117
		SHEET 1 OF 1

4

3

2

1